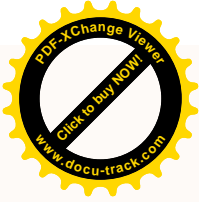
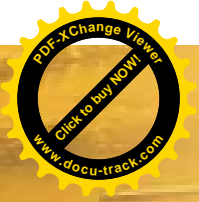


## 低压高分断条形熔断器式隔离开关





NH STRIP-TYPE FUSE-SWITCH-DISCONNECTORS  
NH-SYSTEM





## 低压高分断条形熔断器式隔离开关 *NH strip-type fuse-switch-disconnectors*

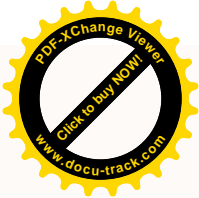
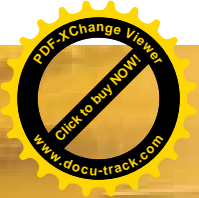


低压高分断条形熔断器式隔离开关设计使用NH熔断器。开关配合熔断器在带负载的情况下，通过熔断器或隔离刀片的触头移动，能够操作电路的分合闸。隔离开关在设计上，允许单相分合闸或三相分合闸。

低压高分断条形熔断器式隔离开关可用于小型箱变或电缆分支箱等公用电网内，或者根据IEC/EN 60439-1标准用于开关柜或控制柜中。密闭的设计以及高分断能力确保开关的安全可靠。

*NH strip-type fuse-switch-disconnectors are designed to receive NH fuse-links. Hinged fuse-carriers enable opening and closing operation in electric circuits under load conditions. Thereby, the fuse-link or solid link forms the moving contact. Both, single-pole and three-pole switching is possible.*

*NH strip-type fuse-switch-disconnectors are used in Transformer stations and cable distribution cabinets of public utilities as well as in low voltage switchgear and controlgear assemblies acc. to IEC/EN 60439-1. Their closed design and high breaking capacity make them extremely reliable and powerful fuse-combination units.*



目录

Contents

页码			Page
SL-2	产品简介	<i>Introduction</i>	SL-2
SL-8	爆炸图	<i>Explosion drawing</i>	SL-8
SL-12	低压高分断条形熔断器式隔离开关 尺码 00	<i>NH strip-type fuse-switch-disconnectors size 00</i>	SL-12
SL-16	低压高分断条形熔断器式隔离开关 尺码 1-3 • 单极分动或三级联动	<i>NH strip-type fuse-switch-disconnectors size 1 to 3</i> • 1-pole and 3-pole switchable	SL-16
SL-21	低压隔离开关 尺码 3 • 上出线或下出线 • 背接式母线系统供电	<i>LV switch-disconnectors size 3</i> • Terminal at top or bottom side • Supply at rear side to busbar system	SL-21
SL-22	低压高分断条形熔断器式隔离开关 尺码 3/910A 用于630kVA变压器二次侧保护	<i>NH strip-type fuse-switch-disconnectors size 3/910A, for secondary protection of 630kVA transformers</i>	SL-22
SL-24	低压高分断条形熔断器式隔离开关 尺码 4a	<i>NH strip-type fuse-switch-disconnectors size 4a</i>	SL-24
SL-25	低压高分断条形熔断器式隔离开关 尺码 3 水平母线隔离	<i>NH strip-type fuse-switch-disconnectors size 3, for horizontal busbar disconnection</i>	SL-25
SL-26	低压高分断条形熔断器式隔离开关 尺码 00-3 用于IP20母线保护系统	<i>NH strip-type fuse-switch-disconnectors size 00 to 3 for mounting on IP20-protected busbar systems</i>	SL-26
SL-28	低压条形熔断器隔离开关 尺码 00-3 内置电流互感器	<i>NH strip-type fuse-switch-disconnectors size 00 to 3 for mounting-in current-transformer</i>	SL-28
SL-32	附件	<i>Accessories</i>	SL-32
SL-40	特殊应用方案	<i>Special versions</i>	SL-40
SL-42	技术参数	<i>Technical data</i>	SL-42
SL-54	产品尺寸	<i>Dimensions</i>	SL-54

低压高分断条形  
熔断器式  
隔离开关  
*NH strip-type fuse-switch-disconnectors*

低压高分断  
熔断器式  
隔离开关  
*NH fuse-switch-disconnectors*

60mm母线系统  
*CIOISIMIO®*

附录  
*Appendix*

SL



## 低压高分断条形熔断器式隔离开关 单极分动或三极联动 尺码00-4a

## NH strip-type fuse-switch-disconnectors 1-pole and 3-pole switchable size 00-4a

### 产品定义

低压高分断条形熔断器式隔离开关是母排安装的三相熔断器开关。三个单相的熔断器开关纵向的排列在同一单元上。每一相的馈线端子直接与三相母排中的一相连接。出线端配有接线端子，用于直接接线。

### 应用领域

低压高分断条形熔断器式隔离开关遵循公用电网即工业用户用电标准，主要用于环网柜的主配电盘、箱变、电缆分支箱及主配电柜中。开关本体可内置电流互感器用于测量实时的电流数据。装配有熔断器状态监控功能的开关，确保故障发生的快速响应。

### 产品优势

金米勒低压高分断条形熔断器式隔离开关尺码自00至尺码3，允许单相分合闸或三相分合闸操作。产品可内置电流互感器，最大馈电电流可达2000A，或其它各种用于特殊应用场合的设计，确保产品高效、可靠的运行。

可用的产品范围包括下面尺码及相应的额定电流：  
尺码 00/160A，尺码 1/250A，尺码 2/400A，  
尺码 3/630A，尺码 3/910A，双拼尺码 3/1250A 和尺码 4a/1250A。条形熔断器隔离开关配隔离刀片可用在尺码3/1000A及双拼尺码 3/2000A。

### Product definition

NH strip-type fuse-switch-disconnectors are three-pole fuse-switches for busbar mounting. They combine three single-pole fuse-switches longitudinally arranged in one unit. Each of the feeder terminals is directly connected to one phase of a three-phase busbar system. The outgoing terminals are equipped with terminals for cable conductors.

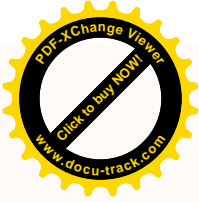
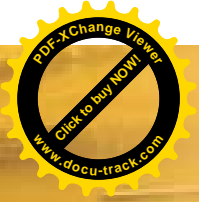
### Applications

NH strip-type fuse-switch-disconnectors conform to the requirements of public utilities and industrial companies for power distribution boards in ring main units, transformer substations, cable distribution cabinets as well as main distribution boards. NH strip-type fuse-switch-disconnectors having built-in current transformers are essential devices for efficient energy management. With built-in fuse monitoring function they ensure short reaction time even in decentralized power distribution systems.

### Product advantages

JEAN MÜLLER NH strip-type fuse-switch-disconnectors are available in sizes 00 to 3 for both, single pole and three-pole switching operation. Product versions with built-in current transformers, feeder units up to 2000A rated current, and a wide range of specially designed products enable efficient and reliable power distribution.

The available product range comprises the following sizes and current ratings respectively:  
Size 00/160A, size 1/250A, size 2/400A, size 3/630A, size 3/910A, twinned size 3/1250A and size 4a/1250A. Strip-type switch-disconnector, equipped with solid links, are available in size 3/1000A and twinned size 3/2000A.



**绝缘材质**

开关整体的绝缘材质由高机械性能，高阻抗，自熄阻燃且不含卤素的聚酯构成。  
用于支持导电部分的185母线系统熔断器底座绝缘件，由高性能的玻璃纤维加强型热固聚酯构成，符合电力公司的技术要求。

**导电性能**

NH熔断器触头镀银，确保其低功耗，低温升和高分断性能。镀锡的引线可选择不同的接线端子。  
触头盖罩可有效防止意外触摸，并在母线带电的情况下进行操作。开关上半部分能通过转锁进行快速的拆卸和拼装。

**产品/附件**

内置电流互感器的条形开关可在其底座部分安装特殊设计的电流互感器，一次侧电流范围自50A至1000A。  
尺码00-3的开关可配置电子式熔断器状态监控模块ES00。其余各附件，如临时取电适配器，盖罩，或连接器请查看产品目录。

**Insulating parts**

All insulating parts are made of high mechanical strength polymers and resistant to breaking, self-extinguishing and halogen-free. The fuse-base insulator for 185mm busbar systems, which supports the current carrying parts, is made of high stability glass fibre reinforced thermosetting polyester, according to power utility specifications.

**Current carrying parts**

Silver-plated receiving contacts for the NH fuse-links ensure low power loss, optimum temperature behaviour and high breaking capacity. The tin-plated down leads are available with different types of terminals.

Thanks to the contact covers that provide safety from touch by the back of the hand, the products can be mounted on life busbar systems, provided the local safety rules allow for. The upper parts of the NH strip-type fuse-switch-disconnectors including the fuse carriers can be easily mounted and fixed by means of turn-lock fasteners.

**Product versions/Accessories**

The products prepared for current transformers can be equipped with specifically designed current transformers inserted in the base insulator. Current transformers are available for primary currents ranging from 50A to 1000A.

Sizes 00-3 may be combined with electronic fuse monitoring modules ES00.

Various accessories like piggyback adapters, covers or connectors complete the product range.

低压高分断条形  
熔断器式  
隔离开关  
NH strip-  
type fuse-switch-  
disconnectors

低压高分断  
熔断器式  
隔离开关  
NH fuse-switch-  
disconnectors

60mm母线系统  
CIOISIMIO®

附录  
Appendix



低压高分断条形熔断器式隔离开关 / *NH strip-type fuse-switch-disconnectors*

## 低压配电柜/案例一

### *Low voltage distribution panel / sample 1*

用于IP20母线保护系统的SL2及SL3开关

*SL2 and SL3 on IP20-protected busbar system*





## 低压配电柜/案例二

### *Low voltage distribution panel / sample 2*

标准开关SL1-SL3, SL00及SL2内置电流互感器及测量装置

*SL1 - 3/Standard, SL00 and SL2 with integrated current transformers and measurement device*



低压高分断条形  
熔断器式  
隔离开关  
*NH strip-  
type fuse-switch-  
disconnectors*

低压高分断  
熔断器式  
隔离开关  
*NH fuse-switch-  
disconnectors*

60mm母线系统  
*CIOISIMIO®*

附录  
*Appendix*





低压高分断条形熔断器式隔离开关 / *NH strip-type fuse-switch-disconnectors*

## 低压配电柜/案例三

### *Low voltage distribution panel / sample 3*

馈电隔离开关SL3/2000A和SL3/1000A,SL2带电流互感器—后视图

*Feeding disconnectors SL3/2000A and SL3/1000A, SL2 with integrated current transformers - back view*





## 低压配电柜/案例四

### *Low voltage distribution panel / sample 4*

进线开关SL3/2000A 配有三相电流互感器用于测量，出线开关SL00及SL2

*Feeding disconnecter SL3/2000A with three-phase current transformer measurement, outgoing – disconnectors SL00 and SL2*



低压高分断条形  
熔断器式  
隔离开关  
*NH strip-  
type fuse-switch-  
disconnectors*

低压高分断  
熔断器式  
隔离开关  
*NH fuse-switch-  
disconnectors*

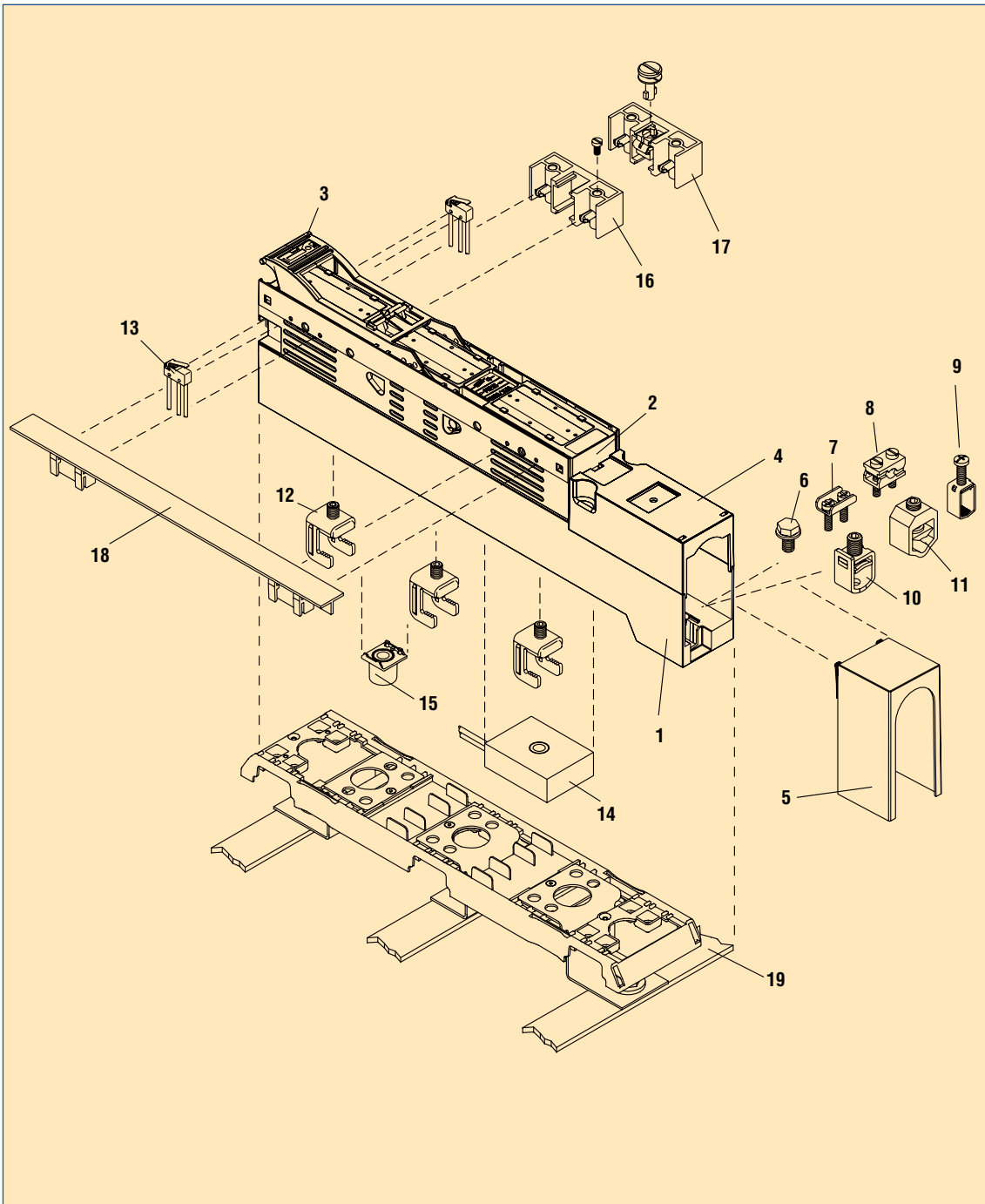
60mm母线系统  
*CIOISIMIO®*

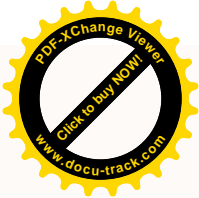
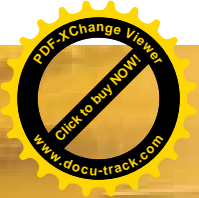
附录  
*Appendix*



爆炸图 SL00-100

Exploded drawing SL00-100





低压高分断条形熔断器式隔离开关 SL00-3x3/100  
用于100mm母线系统, 三相分合闸操作的附件

**NH strip-type fuse-switch-disconnectors SL00-3x3/100**

**Device and system accessories, for 100mm busbar systems, 3-pole switchable**

1	条形开关底座 U-SL00-3 x 3/100 / <i>Strip base U-SL00-3 x 3/100</i>
2	操作手柄 D-SL00-3 x 3/100 / <i>Swing-in device D-SL00-3 x 3/100</i>
3	操作拉杆 SH-SL00-3 x 3/100 / <i>Actuating lever SH-SL00-3 x 3/100</i>
4	端子盖罩 HA-SL00-3 x 3/100 / <i>Terminal compartment cover HA-SL00-3 x 3/100</i>
5	接线盖罩 HAV-SL00-3 x 3/100 / <i>Terminal compartment extension HAV-SL00-3 x 3/100</i>
6	扁平端子 F-M8x16 / <i>Flat terminal F-M8x16</i>
7	镗型接线夹 S00-Z / <i>Clip terminal S00-Z</i>
8	棱型接线夹 P0070-Z / <i>Prism clamp P0070-Z</i>
9	梯形端子 F70 / <i>Elevator clamp F70</i>
10	V型接线端子 KU00 / <i>V box terminal KU00</i>
11	V型接线端子 KM00 / <i>V box terminal KM00</i>
12	母线挂钩 SK-SL00 / <i>Busbar terminals SK-SL00</i>
13	开关位置状态指示 EV-SL00/100 / <i>Position indicator EV-SL00/100</i>
14	电流互感器 WKD50 / <i>Current transformers WKD50</i>
15	空位适配器 HDR20 / <i>Holder for spacer roller HDR20</i>
16	盖板支持件 AH-SL / <i>Cover holder AH-SL</i>
17	带锁盖板支持件 AH-SL/S / <i>Cover holder with quick-release lock AH-SL/S</i>
18	盖板支持件 AHCT-SL / <i>Cover support AHCT-SL</i>
19	用于两条条形开关, 螺栓固定的适配器 AL185-SL00/100/52 <i>Adapter for 2 strips, screw fixation AL185-SL00/100/52</i>

低压高分断条形  
熔断器式  
隔离开关  
NH strip-  
type fuse-switch-  
disconnectors

低压高分断  
熔断器式  
隔离开关  
NH fuse-switch-  
disconnectors

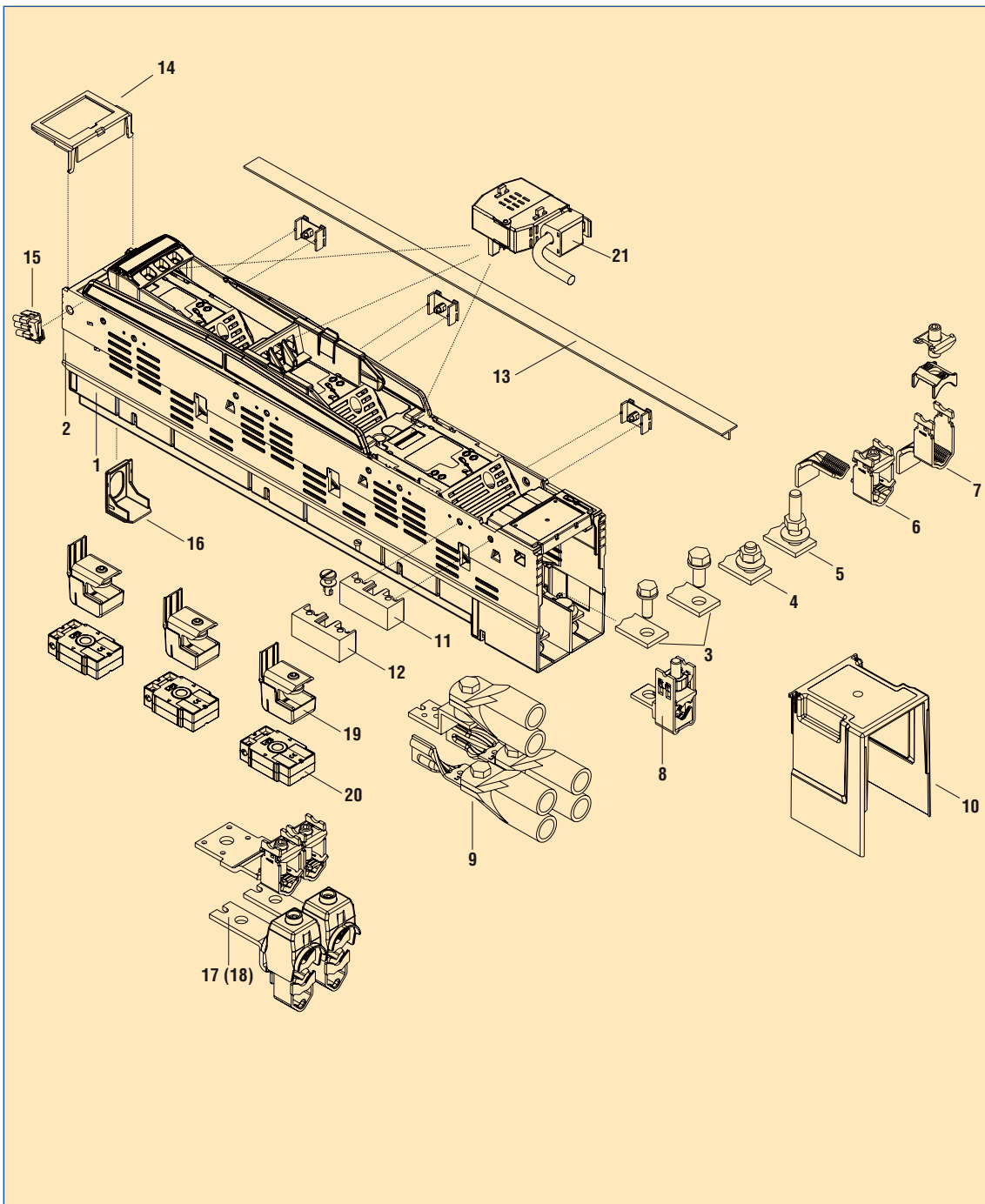
60mm母线系统  
CIOISIMIO®

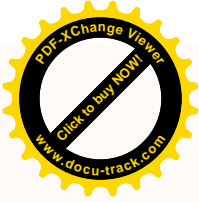
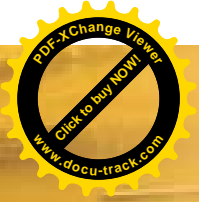
附录  
Appendix



爆炸图 SL 1-3

Exploded drawing SL 1-3





低压高分断条形熔断器式隔离开关 SL1-3x3, SL2-3x3, SL3-3x3  
用于185mm母线系统, 三相分合闸操作的附件

**Mounting of NH strip-type fuse-switch-disconnectors SL1-3x3, SL2-3x3, SL3-3x3**  
**Device and system accessories, for 185mm busbar systems, 3-pole switchable**

1	条形开关底座, U-SL1, U-SL2, U-SL3 / <i>Strip base, U-SL1, U-SL2, U-SL3</i>
2	条形开关支架 O-SL1/3x3, O-SL2/3x3, O-SL3/3x3 / <i>Strip top, O-SL1/3 x 3, O-SL2/3 x 3, O-SL3/3 x 3</i>
3	螺栓 (连接型号 3a) 尺码1 M10x25, 尺码2, 3 M12x30 <i>Screw terminal (connection type 3a) size 1 M10x 25, size 2, 3 M12x 30</i>
4	螺柱 (连接型号 4a) 尺码1, 2, 3 M12x35 <i>Stud terminal (connection type 4a) size 1, 2, 3 M12x 35</i>
5	螺柱 (连接型号 4a-60) 尺码1, 2, 3 M12x60 <i>Stud terminal (connection type 4a-60) size 1, 2, 3 M12x 60</i>
6	V型接线端子 (连接型号9) 接线夹型号 KM2G-F 25-240mm <sup>2</sup> <i>Multiple V box terminal (connection type 9) Terminal type KM2G-F 25-240mm<sup>2</sup></i>
7	框式接线夹 (连接型号9) 接线夹型号 KM2G 25-150mm <sup>2</sup> , 185-300mm <sup>2</sup> <i>Multiple box terminal (connection type 9) Terminal type KM2G, 25-150mm<sup>2</sup>, 185-300mm<sup>2</sup></i>
8	可互换型直接接线端子 K2G/A 70-240mm <sup>2</sup> <i>Retrofitable direct-connection terminal K2G/A 70-240mm<sup>2</sup></i>
9	单相接线两根线缆的接线组件 FK2x240 <i>Kit for connection of 2 cable lugs per phase FK2 x 240</i>
10	接线盖罩 HA-SL123/10 / <i>Terminal compartment cover HA-SL123/10</i>
11	盖板支持件 AH-SL / <i>Cover holder AH-SL</i>
12	带锁盖板支持件 AH-SL/S / <i>Cover holder with quick-release lock AH-SL/S</i>
13	T型档板 AHCT-SL / <i>Fastening clips with T profile AHCT-SL</i>
14	标示牌 BZO-SL123 / <i>Designation plate, top BZO-SL123</i>
15	开关位置状态指示 EV-SL/3 x 3/10 / <i>Position indicator EV-SL/3 x 3/10</i>
16	悬挂装置 MW-SL123 / <i>Hang-up device MW-SL123</i>
17	双电缆接线端子 KM2x240-SL123/3A / <i>Terminal retrofit kit KM2x240-SL123/3A</i>
18	双电缆接线端子 KM2x240-SL123/9 / <i>Terminal retrofit kit KM2x240-SL123/9</i>
19	母线挂钩 SK-L/SL123/10 / <i>Busbar clamp SK-L/SL123/10</i>
20	电流互感器 WKD51 / <i>Low voltage current transformer WKD51</i>
21	临时取电适配器 HP-SE/L / <i>Piggyback-Adapter HP-SE/L</i>

低压高分断条形  
熔断器式  
隔离开关  
*NH strip-  
type fuse-switch-  
disconnectors*

低压高分断  
熔断器式  
隔离开关  
*NH fuse-switch-  
disconnectors*

60mm母线系统  
*CIOISIMIO®*

附录  
*Appendix*



# 低压高分断条形熔断器式隔离开关 尺码00 100mm母线系统 *NH strip-type fuse-switch-disconnectors size 00 for 100 mm busbar systems*



## 产品优势 / *Convincing advantages*



**安全性**

- 可用挂锁锁闭开关
- 分合闸位置锁定

**灵活性**

- 可选择上进线或下进线
- 可选择母线挂钩方式进行安装

**监控性**

- 开关位置状态指示用于监控开关分合闸状态
- 电子式熔断器监测单元

**适配器**

- SL1, SL2, SL3加长盖罩
- 用于185mm母线系统的适配器

### **Safety**

- Fuse-carrier lockable with padlocks
- Parking position

### **Flexibility**

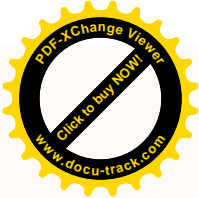
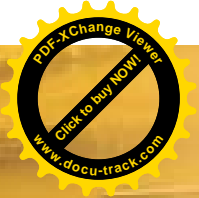
- Selection of cable terminal position top or bottom
- Mounting on busbar without bores by means of add-on kit with busbar clamps

### **Monitoring**

- Add-on kit with micro switch for switch position monitoring
- Electronic fuse monitoring unit

### **Adaption**

- Compensating covers for adaption to SL 1, 2, 3
- Busbar adapter for mounting on 185mm busbar system




低压高分断条形熔断器式隔离开关, 尺码00, 上进线或下进线, 三相分合闸, 100mm母线系统  
NH strip-type fuse-switch-disconnectors size 00, terminal at top or bottom side, 3-pole switchable, for 100mm busbar systems

接线方式 Terminal version	线径 Connection [mm <sup>2</sup> ]	电流 [A]	包装 PU	型号/Type	订货号 Article -No.
扁平端子 M8 / 2xM5 Flat terminal M8 / 2xM5	max. 95	160	1	SL00-3X3/100/F	L5051001
梯形端子 F70 Elevator clamp F70	1,5-70	160	1	SL00-3X3/100/F70	L5057002
钢制框型端子 KU00 Steel-frame clamp KU00	10-95	160	1	SL00-3X3/100/KU00	L5056003
铝制框型端子 KM00 Al-frame clamp KM00	16-95	160	1	SL00-3X3/100/KM00	L5059004

安装电子式熔断器状态监测单元ES00 / With electronic fuse-monitoring unit ES00

扁平端子 M8 / 2xM5 Flat terminal M8 / 2xM5	max. 95	160	1	SL00-3X3/100/F/HA/ES00	L5051700
扁平端子 M8 / 2xM5 Flat terminal M8 / 2xM5	max. 95	160	1	2xSL00-3X3/100/AL185/ES00	L5051720

接线方式 / Terminal versions

扁平端子 M8 / 2xM5 Flat terminal M8 / 2xM5	梯形端子 F70 Elevator clamp F70	钢制框型端子 KU00 Steel-frame clamp KU00	铝制框型端子 KM00 Al-frame clamp KM00
			

低压高分断条形  
熔断器式  
隔离开关  
NH strip-  
type fuse-switch-  
disconnectors

低压高分断  
熔断器式  
隔离开关  
NH fuse-switch-  
disconnectors

60mm母线系统  
CIOISIMIO®

附录  
Appendix





# 低压高分断条形熔断器式隔离开关 尺码00 185mm母线系统 *NH strip-type fuse-switch-disconnectors size 00 for 185 mm busbar systems*



## 产品优势 / *Convincing advantages*



### 操作手柄

- 可伸缩手柄设计, 使安装深度最小
- 每相手柄具有独立标签



### 节省空间的安装方式

- 下沉式手柄可阻止开关操作
- 双挂锁结构



### 熔断器卡扣

- 非接触式拆卸熔断器
- 确保熔断器紧固于操作把手内



### 状态指示器

- 简易安装
- 开槽式接触表面保证了高接触安全性

### *Multifunction fuse-carrier*

- *Minimum installation depth by retractable operating lever*
- *Individual labelling of each phase*

### *Spacesaving park position*

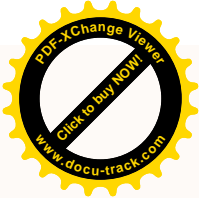
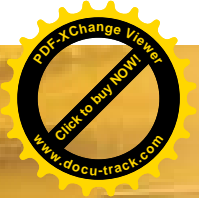
- *Retractable switching lever disables switching operation*
- *Lockable with 2 padlocks*

### *Fuse-link locking*

- *Contact-free fuse-link removal*
- *Reliable fixation of fuse-links to fuse-carrier*

### *Switch position indicator*

- *Easy mounting in clip-technology*
- *High contact stability by ribbed contact surface*



低压高分断条形熔断器式隔离开关, 尺码00, 上进线或下进线, 单相分合闸, 三相分合闸, 185mm母线系统  
**NH strip-type fuse-switch-disconnectors size 00, terminal at top or bottom side, 1-pole switchable, for 185mm busbar systems**

接线方式 Terminal version	线径 Connection [mm <sup>2</sup> ]	电流 [A]	包装 PU	型号/Type	订货号 Article -No.
扁平端子 M8 / 2xM5 Flat terminal M8 / 2xM5	max. 95	160	1	SL00-3X/F	L5431002
钢制框型端子 KU00 Steel-frame clamp KU00	10-95	160	1	SL00-3X/KU	L5496061

三相分合闸, 185mm母线系统 / **3-pole switchable for 185mm busbar systems**

扁平端子 M8 / 2xM5 Flat terminal M8 / 2xM5	max. 95	160	1	SL00-3X3/F	L5531001
钢制框型端子 KU00 Steel-frame clamp KU00	10-95	160	1	SL00-3X3/KU	L5596033

低压高分断条形  
熔断器式  
隔离开关  
NH strip-  
type fuse-switch-  
disconnectors

低压高分断  
熔断器式  
隔离开关  
NH fuse-switch-  
disconnectors

60mm母线系统  
CIOISIMIO®

附录  
Appendix



# 低压高分断条形熔断器式隔离开关，尺码1-3 185mm母线系统 NH strip-type fuse-switch-disconnectors size 1 to 3 for 185mm busbar systems



## 产品优势 / Convincing advantages

**操作手柄**

- 延长型设计确保操作安全可靠
- 在分合闸位置均可安设挂锁

**安装**

- 可在带电母排上进行安装
- 安装挂钩可上下互换

**测量与监控**

- 连接触头两端的安全电压测量孔
- 电子式熔断器状态监测单元，熔断器指示器
- 带电流互感器的熔断器应用于临时电流测量

**端子盖罩**

- 内置于开关外部
- 标示可见

### Actuating lever

- Long actuating lever for safe and reliable switching
- Lockable with up to 3 padlocks in both ON and OFF position

### Installation

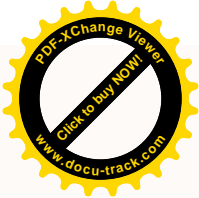
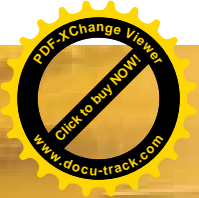
- Safe installation on live busbars due to always touch proof contacts
- Retrofittable mounting hooks

### Measuring and monitoring

- Safe voltage testing through test holes leading to blade-contacts
- Electronic fuse monitoring or fuse-monitoring by means of motor circuit-breaker
- Current transformer (c.t.) fuse-links for temporary current measurements

### Terminal cover

- Integrated in NH strip-type fuse-switch-disconnector
- Markings always readable before and after installation



低压高分断条形熔断器式隔离开关，尺码1-3，单相分合闸，185mm母线系统  
根据电力公司要求改进—GAMMA触头

*NH strip-type fuse-switch-disconnectors size 1 to 3, terminal at top or bottom side, 1-pole switchable, for 185mm busbar systems, optimized for requirements of power utilities - GAMMA contact system*

尺码 Size	接线方式 Terminal version	线径 Connection [mm <sup>2</sup> ]	电流 [A]	包装 PU	型号/Type	订货号 Article -No.
1	扁平端子 M10 Flat terminal M10	25 - 150	250	1	SL1G-3X/3A	L193100100
1	钢制框型端子 KM2G-F Steel-frame clamp KM2G-F	25 - 240	250	1	SL1G-3X/9/KM2G-F	L199600400
1	钢制框型端子 KM2G Steel-frame clamp KM2G	25 - 300	250	1	SL1G-3X/9/KM2G	L199602900
2	扁平端子 M12 Flat terminal M12	25 - 240	400	1	SL2G-3X/3A	L293100100
2	螺栓 M12x35 Stud bolt terminal M12x35	25 - 240	400	1	SL2G-3X/4A	L294100200
2	螺栓 M12x60 Stud bolt terminal M12x60	25 - 240	400	1	SL2G-3X/4A-60	L294100300
2	钢制框型端子 KM2G-F Steel-frame clamp KM2G-F	25 - 240	400	1	SL2G-3X/9/KM2G-F	L299600500
2	钢制框型端子 KM2G Steel-frame clamp KM2G	25 - 300	400	1	SL2G-3X/9/KM2G	L299600400

配合可伸缩手柄用于最大170mm安装深度的电缆分支箱的开关

*With retractable handle for cable distribution boxes with max. 170mm installation depth*

2	扁平端子 M12 Flat terminal M12	25 - 240	400	1	SL2G-3X/3A/GV	L293100600
2	钢制框型端子 KM2G-F Steel-frame clamp KM2G-F	25 - 240	400	1	SL2G-3X/9/KM2G-F/GV	L299600900
2	钢制框型端子 KM2G Steel-frame clamp KM2G	25 - 300	400	1	SL2G-3X/9/KM2G/GV	L299601000

接线方式 / Terminal versions

扁平端子 Flat terminal M...	螺栓 Stud bolt terminal	钢制框型端子 KM2G-F Steel-frame clamp KM2G-F	钢制框型端子 KM2G Steel-frame clamp KM2G
			

低压高分断条形  
熔断器式  
隔离开关  
NH strip-  
type fuse-switch-  
disconnectors

低压高分断  
熔断器式  
隔离开关  
NH fuse-switch-  
disconnectors

60mm母线系统  
CIOISIMIO®

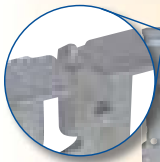
附录  
Appendix



# 低压高分断条形熔断器式隔离开关，尺码1-3 DELTA触头及GAMMA触头系统 NH strip-type fuse-switch disconnectors size 1 to 3 DELTA and GAMMA contact system



## 产品优势 / *Convincing advantages*

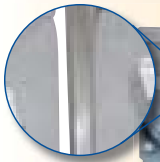


### 燃弧触头

- 选择性引弧用于防止主触头表面侵蚀
- 最小化燃弧时间

### Arcing contacts

- *Defined arc initiation and positioning prevents erosion of contact surfaces*
- *Minimized arcing time*



### 线性触头

- 最优化的接触面积
- 实现低功耗

### Linear contact system

- *Provides optimum contact*
- *Achieves low power loss*



### 触头内锁

- 当合闸短路故障时，防止紧缩效应
- 使短路耐受电流达110kA

### Short-circuit pinch stop

- *Prevents pinch effect when making on a short-circuit fault*
- *Enables short-circuit withstand currents up to 110kA*

### 应用



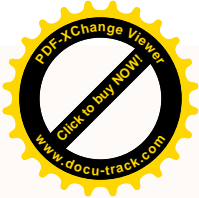
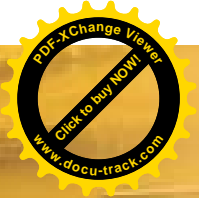
- DELTA触头可持续通过电流1000A，在工业领域及开关柜额定电流400A中，有着优越的分断负载的能力

### Application

- *The DELTA contact system, having continuous current carrying capability up to 1000A, provides excellent load-break capability in industrial applications and in switching devices having rated currents above 400A*

- GAMMA触头主要为应用于公用电网中的尺码1-尺码2的开关提供优越的电气性能

- *The GAMMA contact system offers an optimum performance profile for size 1 and 2 devices to be installed in power utility networks*



低压高分断条形熔断器式隔离开关, 尺码1-3, 上进线或下进线, 单相分合闸, 185mm母线系统—DELTA触头  
**NH strip-type fuse-switch-disconnectors size 1 to 3, terminal at top or bottom side, 1-pole switchable, for 185mm busbar systems - DELTA contact system**

尺码 Size	接线方式 Terminal version	线径 Connection [mm <sup>2</sup> ]	电流 [A]	包装 PU	型号/Type	订货号 Article -No.
1	扁平端子 M10 <i>Flat terminal M10</i>	25 - 150	250	1	SL1-3X/3A	L1931001
1	钢制框型端子 KM2G-F <i>Steel-frame clamp KM2G-F</i>	25 - 240	250	1	SL1-3X/9/KM2G-F	L1996004
1	钢制框型端子 KM2G <i>Steel-frame clamp KM2G</i>	25 - 300	250	1	SL1-3X/9/KM2G	L1996029
2	扁平端子 M12 <i>Flat terminal M12</i>	25 - 240	400	1	SL2-3X/3A	L2931001
2	螺栓 M12x35 <i>Stud bolt terminal M12x35</i>	25 - 240	400	1	SL2-3X/4A	L2941002
2	螺栓 M12x60 <i>Stud bolt terminal M12x60</i>	25 - 240	400	1	SL2-3X/4A-60	L2941003
2	钢制框型端子 KM2G-F <i>Steel-frame clamp KM2G-F</i>	25 - 240	400	1	SL2-3X/9/KM2G-F	L2996005
2	钢制框型端子 KM2G <i>Steel-frame clamp KM2G</i>	25 - 300	400	1	SL2-3X/9/KM2G	L2996004
3	扁平端子 M12 <i>Flat terminal M12</i>	25 - 300	630	1	SL3-3X/3A	L3931001
3	螺栓 M12x35 <i>Stud bolt terminal M12x35</i>	25 - 300	630	1	SL3-3X/4A	L3941002
3	螺栓 M12x60 <i>Stud bolt terminal M12x60</i>	25 - 300	630	1	SL3-3X/4A-60	L3941003
3	钢制框型端子 KM2G-F <i>Steel-frame clamp KM2G-F</i>	25 - 240	630	1	SL3-3X/9/KM2G-F	L3996018
3	钢制框型端子 KM2G <i>Steel-frame clamp KM2G</i>	25 - 300	630	1	SL3-3X/9/KM2G	L3996004
2 x 3	扁平端子 3 x M12 <i>Flat terminal 3 x M12</i>	3 x 300, 4 x 185	1250	1	SL3-3X2/1250/HA	L3921400

低压高分断条形  
熔断器式  
隔离开关  
NH strip-  
type fuse-switch-  
disconnectors

低压高分断  
熔断器式  
隔离开关  
NH fuse-switch-  
disconnectors

60mm母线系统  
CIOISIMIO®

附录  
Appendix

配合可伸缩手柄用于最大170mm安装深度的电缆分支箱的开关  
**With retractable handle for cable distribution boxes with max. 170mm installation depth**

2	扁平端子 M12 <i>Flat terminal M12</i>	25 - 240	400	1	SL2-3X/3A/GV	L2931006
2	钢制框型端子 KM2G-F <i>Steel-frame clamp KM2G-F</i>	25 - 240	400	1	SL2-3X/9/KM2G-F/GV	L2996009
2	钢制框型端子 KM2G <i>Steel-frame clamp KM2G</i>	25 - 300	400	1	SL2-3X/9/KM2G/GV	L2996010
3	扁平端子 M12 <i>Flat terminal M12</i>	25 - 300	630	1	SL3-3X/3A/GV	L3931005
3	钢制框型端子 KM2G-F <i>Steel-frame clamp KM2G-F</i>	25 - 240	630	1	SL3-3X/9/KM2G-F/GV	L3996048

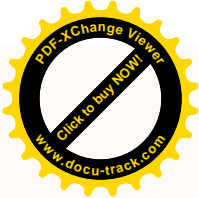
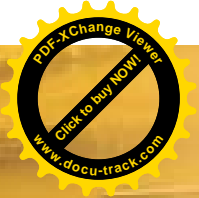


低压高分断条形熔断器式隔离开关, 尺码1-3, 上进线或下进线, 三相分合闸, 185mm母线系统—DELTA触头  
*NH strip-type fuse-switch-disconnectors size 1 to 3, terminal at top or bottom side, 3-pole switchable, for 185mm busbar systems - DELTA contact system*

尺码 Size	线径 Terminal version	线径 Connection [mm <sup>2</sup> ]	电流 [A]	包装 PU	型号/Type	订货号 Article -No.
1	扁平端子 M10 <i>Flat terminal M10</i>	25 - 150	250	1	SL1-3X3/3A	L1031001
1	钢制框型端子 KM2G-F <i>Steel-frame clamp KM2G-F</i>	25 - 240	250	1	SL1-3X3/9/KM2G-F	L1096004
1	钢制框型端子 KM2G <i>Steel-frame clamp KM2G</i>	25 - 300	250	1	SL1-3X3/9/KM2G	L1096026
2	扁平端子 M12 <i>Flat terminal M12</i>	25 - 240	400	1	SL2-3X3/3A	L2031001
2	螺栓 M12x35 <i>Stud bolt terminal M12x35</i>	25 - 240	400	1	SL2-3X3/4A	L2041002
2	螺栓 M12x60 <i>Stud bolt terminal M12x60</i>	25 - 240	400	1	SL2-3X3/4A-60	L2041003
2	钢制框型端子 KM2G-F <i>Steel-frame clamp KM2G-F</i>	25 - 240	400	1	SL2-3X3/9/KM2G-F	L2096015
2	钢制框型端子 KM2G <i>Steel-frame clamp KM2G</i>	25 - 300	400	1	SL2-3X3/9/KM2G	L2096005
3	扁平端子 M12 <i>Flat terminal M12</i>	25 - 300	630	1	SL3-3X3/3A	L3031001
3	螺栓 M12x35 <i>Stud bolt terminal M12x35</i>	25 - 300	630	1	SL3-3X3/4A	L3041002
3	螺栓 M12x60 <i>Stud bolt terminal M12x60</i>	25 - 300	630	1	SL3-3X3/4A-60	L3041003
3	钢制框型端子 KM2G-F <i>Steel-frame clamp KM2G-F</i>	25 - 240	630	1	SL3-3X3/9/KM2G-F	L3096012
3	钢制框型端子 KM2G <i>Steel-frame clamp KM2G</i>	25 - 300	630	1	SL3-3X3/9/KM2G	L3096004
2 x 3	扁平端子 3 x M12 <i>Flat terminal 3 x M12</i>	3 x 300, 4 x 185	1250	1	SL3-3X6/1250/HA	L3021400

安装电子式熔断器监测单元ES00 / *With electronic fuse-monitoring unit ES00*

尺码 Size	接线方式 Terminal version	线径 Connection [mm <sup>2</sup> ]	电流 [A]	包装 PU	型号/Type	订货号 Article -No.
1	扁平端子 M10 <i>Flat terminal M10</i>	25 - 150	250	1	SL1-3X3/3A/ES00	L1031720
2	扁平端子 M12 <i>Flat terminal M12</i>	25 - 240	400	1	SL2-3X3/3A/ES00	L2031720
3	扁平端子 M12 <i>Flat terminal M12</i>	25 - 300	630	1	SL3-3X3/3A/ES00	L3031720



低压高分断条形熔断器式隔离开关, 尺码3, 上进线或下进线, 单相分合闸, 185mm母线系统—DELTA触头  
**NH strip-type switch-disconnectors size 3, terminal at top or bottom side, 1-pole switchable, for 185mm busbar systems - DELTA contact system**

尺码 Size	接线方式 Terminal version	线径 Connection [mm <sup>2</sup> ]	电流 [A]	包装 PU	型号/Type	订货号 Article -No.
3	扁平端子 2 x M12 <i>Flat terminal 2 x M12</i>	2 x 300, 3 x 120	1000	1	SL3-3X/1000/HA <sup>1)</sup>	L3921300
2 x 3	扁平端子 3 x M12 <i>Flat terminal 3 x M12</i>	3 x 300, 4 x 185	1600	1	SL3-3X2/1600/HA <sup>1)</sup>	L3921402
2 x 3	扁平端子 4 x M12 <i>Flat terminal 4 x M12</i>	4 x 300	2000	1	SL3-3X2/2000/HA	L3921507

三相分合闸, 185mm母线系统/ 3-pole switchable for 185mm busbar systems

3	扁平端子 2 x M12 <i>Flat terminal 2 x M12</i>	2 x 300, 3 x 120	1000	1	SL3-3X3/1000/HA <sup>1)</sup>	L3021300
2 x 3	扁平端子 3 x M12 <i>Flat terminal 3 x M12</i>	3 x 300, 4 x 185	1600	1	SL3-3X6/1600/HA <sup>1)</sup>	L3021401
2 x 3	扁平端子 4 x M12 <i>Flat terminal 4 x M12</i>	4 x 300	2000	1	SL3-3X6/2000/HA	L3021501

1) 包含1250A隔离刀片 / Including solid link 1250A

低压高分断条形熔断器式隔离开关, 尺码3, 母线背侧进线, 185mm母线系统—DELTA触头  
**NH strip-type switch-disconnectors size 3, supply at rear side to busbar system, for 185mm busbar systems - DELTA contact system**

尺码 Size	接线方式 Terminal version	线径 Connection [mm <sup>2</sup> ]	电流 [A]	包装 PU	型号/Type	订货号 Article -No.
3	1-极 / 1-pole	2 x 300	1000	1	SL3-3X/1000/ARO/TM3 <sup>1)</sup>	L3920303
3	3-极 / 3-pole	2 x 300	1000	1	SL3-3X3/1000/ARO/TM3 <sup>1)</sup>	L3020303

1) 包含1250A隔离刀片 / Including solid link 1250A

接线方式 / Terminal versions



低压高分断  
熔断器式  
隔离开关  
NH strip-  
type fuse-switch-  
disconnectors

低压高分断  
熔断器式  
隔离开关  
NH fuse-switch-  
disconnectors

60mm母线系统  
CIOISIMIO®

附录  
Appendix





# 低压高分断条形熔断器式隔离开关 SL3/910A 及 SL3/910Aplus *NH strip-type fuse-switch-disconnector SL3/910A and SL3/910Aplus*



## 产品优势 / *Convincing advantages*

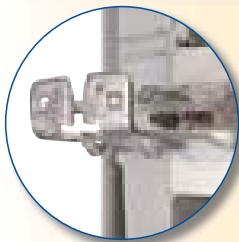


### 宽大的尺寸

- 进线触头及铜排截面积达480mm<sup>2</sup>, 实现开关低功耗
- 良好的散热实现触头低温升

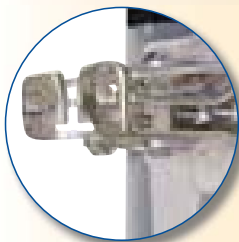
### 接线快速方便

- 特制接线端子可同时容纳2根300mm<sup>2</sup>的线缆或3根185mm<sup>2</sup>的线缆
- 特制100mm的宽度能快速将开关安装在铜排上



### SL3/910A

- 标准产品用于常规供电系统
- 采用DELTA触头提供优越的分断能力



### SL3/910Aplus

- 采用DELTAplus触头, 以应对极端的操作条件
- 采用6条线接触方式的弹簧触头, 提升触头的整体性能

### *Generously dimensioned*

- *Low power loss thanks to 480mm<sup>2</sup> cross section of feeding contacts and terminal bars*
- *Low contact temperature rise due to excellent heat dissipation*

### *Fast and easy connecting*

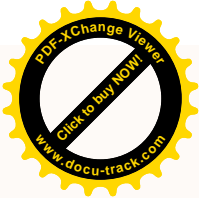
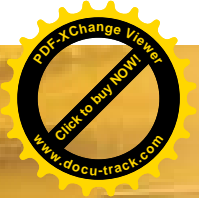
- *Special connectors enable the connection of two conductors up to 2 x 300mm<sup>2</sup> or three conductors up to 3 x 185mm<sup>2</sup> cross section*
- *Easy installation on busbars due to uniform 100mm width*

### *SL3/910A*

- *Standard Product for regular power utility applications*
- *DELTA contacts for superior braking capacity*

### *SL3/910Aplus*

- *DELTAplus contacts for severe operating conditions*
- *Six independant spring loaded linear contacts corresponding to each blade contact provide optimum contact performance*



低压高分断条形熔断器式隔离开关, 尺码3/910A, 用于630kVA变压器的二次侧保护, 185mm母线系统—DELTA触头  
NH strip-type fuse-switch-disconnectors size 3/910A, for secondary protection of 630kVA transformers, for 185mm busbar systems - DELTA contact system

极数 Switching mode	进线方式 Supply	接线方式 Terminal version	电流 [A]	包装 PU	型号/Type	订货号 Article -No.
1-极 / 1-pole	上进线或下进线 Top or bottom side	2 x M12	910	1	SL3-3X/910/HA	L3921200
1-极 / 1-pole	上进线或下进线 Top or bottom side	1 x M16	910	1	SL3-3X/910/AO/AU-100	L3920208
1-极 / 1-pole	上进线或下进线 Top or bottom side	1 x M16	910	1	SL3-3X/910/AO/AU-75	L3920210
1-极 / 1-pole	背侧进线 From rear side	1 x M12	910	1	SL3-3X/910/ARO	L3920203
1-极 / 1-pole	背侧进线 From rear side	1 x M16	910	1	SL3-3X/910/ARO/110	L3920206
1-极 / 1-pole	背侧进线 From rear side	1 x M16	910	1	SL3-3X/910/ARUS	L3920204
1-极 / 1-pole	上进线 Top side	1 x M12	910	1	SL3-3X/910/AORL	L3920220
3-极 / 3-pole	上进线或下进线 Top or bottom side	2 x M12	910	1	SL3-3X3/910/HA	L3021200
3-极 / 3-pole	上进线或下进线 Top or bottom side	1 x M16	910	1	SL3-3X3/910/AO/AU-100	L3020208
3-极 / 3-pole	上进线或下进线 Top or bottom side	1 x M16	910	1	SL3-3X3/910/AO/AU-75	L3020210
3-极 / 3-pole	上进线 Top side	1 x M12	910	1	SL3-3X3/910/AO-102	L3021229
3-极 / 3-pole	背侧出线 From rear side	1 x M12	910	1	SL3-3X3/910/ARO	L3020203
3-极 / 3-pole	背侧出线 From rear side	1 x M16	910	1	SL3-3X3/910/ARO/110	L3020218
3-极 / 3-pole	背侧出线 From rear side	1 x M16	910	1	SL3-3X3/910/ARUS	L3020204
3-极 / 3-pole	上进线 Top side	1 x M12	910	1	SL3-3X3/910/AORL	L3020216

低压高分断条形  
熔断器式  
隔离开关  
NH strip-  
type fuse-switch-  
disconnectors

低压高分断  
熔断器式  
隔离开关  
NH fuse-switch-  
disconnectors

60mm母线系统  
CIOISIMIO®

低压高分断条形熔断器式隔离开关, 尺码3/910Aplus, 185mm母线系统—DELTAplus触头  
NH strip-type fuse-switch-disconnectors size 3/910Aplus for 185mm busbar systems - DELTAplus contact system

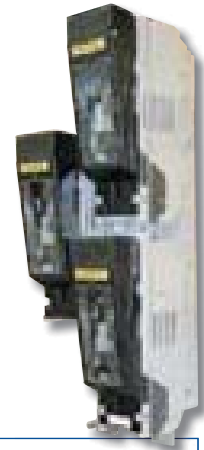
极数 Switching mode	进线方式 Supply	接线方式 Terminal version	电流 [A]	VE PU	型号/Type	订货号 Article -No.
1-极 / 1-pole	上进线或下进线 Top or bottom side	2 x M12	910	1	SL3-3X/910+/HA	L392120099
1-极 / 1-pole	背侧出线 From rear side	1 x M12	910	1	SL3-3X/910+/ARO	L392020399
3-极 / 3-pole	上进线或下进线 Top or bottom side	2 x M12	910	1	SL3-3X3/910+/HA	L302120099
3-极 / 3-pole	背侧出线 From rear side	1 x M12	910	1	SL3-3X3/910+/ARO	L302020399

可提供其它型号 / Further versions on request

附录  
Appendix



## 低压高分断条形熔断器式隔离开关，尺码4a NH strip-type fuse-switch-disconnectors size 4a

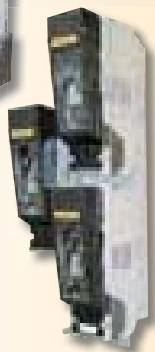


### 产品优势 / *Convincing advantages*



#### 不同的设计类型

- 条形设计, 宽度147mm
- 减少深度的设计, 品字型, 宽度248mm



#### 测量及监控<sup>1)</sup>

- 视窗可调, 用于安装带有电流互感器的熔断器
- 可安装用于熔断器监控 (带有撞击器的熔断器) 的微动开关
- 可安装开关位置状态监控装置

<sup>1)</sup> 仅用于宽度 248mm 的开关



#### LYRA-触头

- LYRA触头系统带有Q触头
- 4条独立的负载接触面确保低功率损耗



#### 高安全性

- 可靠的熔断器锁闭装置, 最大短路耐受电流80kA
- 可选择不同类型的保护盖罩

#### *Various versions*

- *Slim rails with 147mm width*
- *Version with reduced depth and 248mm width*

#### *Measuring and monitoring<sup>1)</sup>*

- *Window in fuse-carrier adjustable to receive NH c.t. fuse-links*
- *Retrofit microswitch for fuse monitoring (striker fuse-links)*
- *Retrofit switch position monitoring*

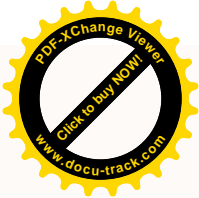
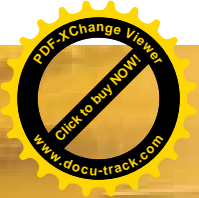
<sup>1)</sup> 248mm width only

#### *LYRA contact system*

- *LYRA contact system with Q-making feature*
- *Four independantly spring loaded contact fingers ensure low power loss*

#### *High safety level*

- *Reliable fuse carrier latch for high short-circuit current withstand up to 80kA*
- *Various protective covers available*



低压高分断条形熔断器式隔离开关, 尺码3, 母线隔离,  
185mm母线系统—DELTA触头  
**NH strip-type switch-disconnectors size 3,  
for busbar disconnection, for 185mm busbar systems - DELTA contact system**

尺码 Size	极数 Switching mode	母线式隔离开关 Busbar disconnection	电流 [A]	包装 PU	型号/Type	订货号 Article -No.
3	3-极 / 3-pole	左侧 / Left side	630	1	SLT3-3SL/3X3	L3000001
3	3-极 / 3-pole	右侧 / Right side	630	1	SLT3-3SR/3X3	L3000002
3	3-极 / 3-pole	左侧 / Left side	1000	1	SLT3-3SL/3X3/1000/TM3 <sup>1)</sup>	L3000003
3	3-极 / 3-pole	右侧 / Right side	1000	1	SLT3-3SR/3X3/1000/TM3 <sup>1)</sup>	L3000004
3	3-极 / 3-pole	右侧 / Right side	910	1	SLT3-3SR/3X3/910	L3000201
2 x 3	3-极 / 3-pole	右侧 / Right side	2000	1	SLT3-3SR/3X6/2000/TM3 <sup>1)</sup>	L3000501
3	1-极 / 1-pole	左侧 / Left side	630	1	SLT3-3SL/3X	L3900001
3	1-极 / 1-pole	右侧 / Right side	630	1	SLT3-3SR/3X	L3900002
3	1-极 / 1-pole	左侧 / Left side	1000	1	SLT3-3SL/3X/1000/TM3 <sup>1)</sup>	L3900003
3	1-极 / 1-pole	右侧 / Right side	1000	1	SLT3-3SR/3X/1000/TM3 <sup>1)</sup>	L3900004
3	1-极 / 1-pole	右侧 / Right side	910	1	SLT3-3SR/3X/910	L3900201
2 x 3	1-极 / 1-pole	右侧 / Right side	2000	1	SLT3-3SR/3X2/2000/TM3 <sup>1)</sup>	L3900501

1) 包含1250A隔离刀片 / including solid link 1250A

低压高分断条形  
熔断器式  
隔离开关  
NH strip-  
type fuse-switch-  
disconnectors

低压高分断  
熔断器式  
隔离开关  
NH fuse-switch-  
disconnectors

60mm母线系统  
CIOISIMIO®



低压高分断条形熔断器式隔离开关, 尺码4a, 上进线或下进线,  
单相分合闸, 185mm母线系统  
**NH strip-type fuse-switch-disconnectors size 4a, terminal at top or bottom side,  
1-pole switchable, for 185mm busbar systems**

宽度 Width	接线方式 Terminal version	进线方式 Terminal	电流 [A]	包装 PU	型号/Type	订货号 Article -No.
147mm	2 x M12	下进线 / Bottom side	1250	1	SLTL4A-3AS/3X/2X3A/Q/147/HA	L4231049
147mm	2 x M12	上进线 / Top side	1250	1	SLTL4A-3AS/3X/2X3A/Q/147/AO	L4231052
248mm	1 x M16	下进线 / Bottom side	1250	1	SLTL4A-3AS/3X/4	L4941000
248mm	1 x M16	上进线 / Top side	1250	1	SLTL4A-3AS/3X/4/AO	L4941001

附录  
Appendix



# 用于IP20母线保护系统的低压高分断条形熔断器隔离开关 大小00-3 NH strip-type fuse-switch-disconnectors size 00-3 for mounting on IP20-protected busbar systems



## 产品优势 / Convincing advantages



### 安全设计

- 通过特殊挂钩使得低压高分断条形熔断器隔离开关的安装与维护到达IP20防护等级
- 通过开关背侧与母线接触, 确保IP20的防护等级

### 方便安装

- 通过导轨及特殊的挂钩实现低压高分断条形熔断器隔离开关的快速安装
- 通过标记线方便调整母排长度

### 高效

- 母线通过六角螺母固定, 高性能的挂钩式触头最大载流量为800A
- 使用标准型母线系统, 方便应用

### 灵活

- 采用前后两片盖板覆盖母线进行保护, 宽度范围为: 30mm — 60mm 或60mm — 120mm
- 适合母线厚度范围为: 5mm — 10mm
- 盖板模块设计, 可拼接安装

### A new dimension in safety

- Variable arrangement of NH strip-type fuse-switch-disconnectors while maintaining IP20 protection level by means of special contact system
- IP20 protection level from rear access to busbars

### Easy installation

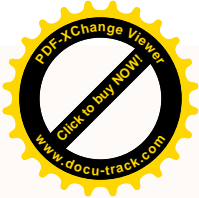
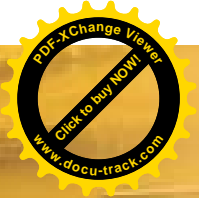
- Quick installation of NH strip-type fuse-switch-disconnectors by means of special busbar contacts and guide elements
- Easy length adjustment by marking lines

### High efficiency

- Heavy-duty contact elements up to a current rating of 800A designed for very easy busbar mounting by means of allen screws
- Convenient application on standard rectangular bus bars - no need of special busbar profile type busbars

### Unsurpassed flexibility

- Only two protective profiles required to cover busbar widths ranging from 30 to 60mm and 60 to 120mm
- Suitable for bus bar thickness ranging from 5 to 10mm
- Modular side-by-side mounting



用于IP20母线保护系统的低压高分断条形熔断器隔离开关, 尺码00-尺码3,  
母线中心距185mm, 上进线或下进线方式, DELTA触头系统  
**NH strip-type fuse-switch-disconnectors size 00 to 3 for mounting on IP20-protected busbar systems  
with 185mm centre distance, terminal at top or bottom side - DELTA contact system**



尺码 Size	电流 [A]	极数 Switchability	接线端子 Cable Terminal	型号/Type	订货号 Article No.
00	160	3-极 / 3-pole	接线夹 10-95 <sup>2</sup> Frame clamp 10-95 <sup>2</sup>	SL00-3x3/KU00/IP20	L5596051
1	250	3-极 / 3-pole	接线夹 25-300 <sup>2</sup> Frame clamp 25-300 <sup>2</sup>	SL1-3x3/9/KM2G/IP20	可供货 On request
2	400	3-极 / 3-pole	接线夹 25-300 <sup>2</sup> Frame clamp 25-300 <sup>2</sup>	SL2-3x3/9/KM2G/IP20	L2096081
2	400	3-极 / 3-pole	接线夹 25-300 <sup>2</sup> Frame clamp 25-300 <sup>2</sup>	SL2-3SR/3x3/9/KM2G/IP20	L2016003
2	400	3-极 / 3-pole	2 接线夹 25-300 <sup>2</sup> 2 Frame clamp 25-300 <sup>2</sup>	SL2-3SR/3x3/9/KM2Gx2/IP20	L2016004
3	630	3-极 / 3-pole	接线夹 25-300 <sup>2</sup> Frame clamp 25-300 <sup>2</sup>	SL3-3x3/9/KM2G/IP20	L3096083
3	630	3-极 / 3-pole	接线夹 25-300 <sup>2</sup> Frame clamp 25-300 <sup>2</sup>	SL3-3SR/3x3/9/KM2G/IP20	L3016007
3	630	3-极 / 3-pole	2 接线夹 25-300 <sup>2</sup> 2 Frame clamp 25-300 <sup>2</sup>	SL3-3SR/3x3/9/KM2Gx2/IP20	L3016008

低压高分断条形  
熔断器式  
隔离开关  
NH strip-  
type fuse-switch-  
disconnectors

低压高分断  
熔断器式  
隔离开关  
NH fuse-switch-  
disconnectors

60mm母线系统  
CIOISIMIO®

附录  
Appendix

**IP20扁平盖板系统/IP20-Flat-bar shroud system**

尺码 Size	母线宽度 Busbar widthness	母线厚度 Busbar thickness	型号/Type	订货号 Article-No.
1	30-60mm	5-6mm	AP-IP20/6mm/30-60	S8901371
1	30-60mm	8-10mm	AP-IP20/10mm/30-60	S8901372
2	60-120mm	5-6mm	AP-IP20/6mm/80-120	S8901373
2	60-120mm	8-10mm	AP-IP20/10mm/80-120	S8901374

**技术参数/Technical data**

前侧盖板长度/length of profile front side	364 mm +/- 1mm
背盖板长度/length of profile rear side	392 mm +/- 1mm

附件 / Accessories	技术参数 / Technical Data	尺寸 / Dimensions
页码 / Page: SL-32ff	页码 / Page: SL-42ff	页码 / Page: SL-54, SL-56*

\*无IP20接触系统 / Drawing without IP20-contact system



## 内置电流互感器的低压高分断条形熔断器隔离开关 *NH strip-type fuse-switch-disconnectors for built-in current-transformer*



### 产品优势 / *Convincing advantages*



**宽泛的应用领域**

- 能源管理系统基本组件
- 与标准条形熔断器隔离开关尺寸相同
- 可选择上接线或下接线

**合适的安装方式**

- 快速安装
- 可选择预接线方式
- 可选配安装支架

**灵活性**

- 可选择单相或三相安装，一次侧电流范围自750A至1000A
- 二次侧配比自1A至5A

**可靠性**

- 电流互感器一次侧电流最高至600A
- 二次侧端子罩可防止安装后的再次操作
- 根据DIN EN 60 044/1标准进行测试

#### **Wide field of application**

- *Essential for up-to-date energy management*
- *Same installed dimensions as standard NH strip-type fuse-switch-disconnectors*
- *For all installations regardless if cable terminals at top or bottom side*

#### **Customer friendly installation**

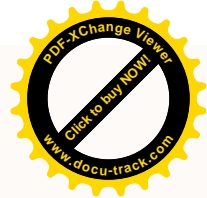
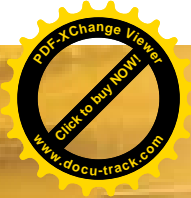
- *Quick mounting enabled by clear positioning*
- *Standard types may be ordered completely wired*
- *Meter carrier available as accessory*

#### **High flexibility**

- *Current transformer for primary currents from 75A up to 1000A for 1-phase or 3-phase measurement*
- *Optional ratios for 1A or 5A secondary current*

#### **Certifiable**

- *Current transformers up to 600A primary current can be ordered certified*
- *Covers for secondary terminals prevent manipulation after installation*
- *Current transformers type tested according to DIN EN 60 044/1*



内置电流互感器的低压高分断条形熔断器隔离开关, 上进线或下进线, 包含电流互感器, 预接线, 三相分合闸, 100mm母线系统—DELTA触头

**NH strip-type fuse-switch-disconnectors for built-in current-transformer, terminal at top or bottom side, including current transformers, complete conductord to clamping rail size 00 to 3, 3-pole switchable, for 100mm busbar systems - DELTA contact system**

尺码 Size	电流 [A]	线径 Terminal	测量方式 Measurement mode	CT型号 Type of CT	型号/Type	订货号 Article -No.
00	160	M8 / 2xM5	单相 / 1-phase	150/5 Kl.1 2,5VA	SL00-3x3/100/F/1W/1/150-5/KL	L535102004
00	160	M8 / 2xM5	三相 / 3-phase	150/5 Kl.1 2,5VA	SL00-3x3/100/F/ 3W/1/150-5/KL	L535104006
1	250	M10	单相 / 1-phase	250/5 Kl.1 5VA	SL1-3x3/3A/1W/1/250-5/KL	L133102005
1	250	M10	三相 / 3-phase	250/5 Kl.1 5VA	SL1-3x3/3A/3W/1/250-5/KL	L133104006
2	400	M12	单相 / 1-phase	400/5 Kl.1 5VA	SL2-3x3/3A/1W/1/400-5/KL	L233102005
2	400	M12	三相 / 3-phase	400/5 Kl.1 5VA	SL2-3x3/3A/3W/1/400-5/KL	L233104006
3	630	M12	单相 / 1-phase	600/5 Kl.1 5VA	SL3-3x3/3A/1W/1/600-5/KL	L333102006
3	630	M12	三相 / 3-phase	600/5 Kl.1 5VA	SL3-3x3/3A/3W/1/600-5/KL	L333104003

低压高分断条形  
熔断器式  
隔离开关  
NH strip-  
type fuse-switch-  
disconnectors

低压高分断  
熔断器式  
隔离开关  
NH fuse-switch-  
disconnectors

内置电流互感器的低压高分断条形熔断器隔离开关, 上进线或下进线, 尺码00, 三相分合闸, 100mm母线系统

**NH strip-type fuse-switch-disconnectors for built-in current-transformer, terminal at top or bottom side, size 00, 3-pole switchable, for 100mm busbar systems**

接线方式 Terminal version	线径 Connection [mm <sup>2</sup> ]	电流 [A]	包装 PU	型号/Type	订货号 Article -No.
扁平端子 M8 / 2xM5 Flat terminal M8 / 2xM5	max. 95	160	1	SL00-3X3/100/F/HA/W	L5351001
梯形端子 F70 Elevator clamp F70	1,5-70	160	1	SL00-3X3/100/F70/HA/W	L5357002
钢制框型端子 KU00 Steel-frame clamp KU00	10-95	160	1	SL00-3X3/100/KU00/HA/W	L5356003

60mm母线系统  
CIOISIMIO®

附录  
Appendix

安装电子式熔断器监测单元ES00 / **With electronic fuse-monitoring unit ES00**

扁平端子 M8 / 2xM5 Flat terminal M8 / 2xM5	max. 95	160	1	SL00-3X3/100/F/HA/ES00/W	L5351707
---	---------	-----	---	--------------------------	----------

用于SL00-3的电流互感器信息, 请查看页码SL-37

**Built in current transformers for SL00-3 see page SL-37**

附件 / Accessories	技术参数 / Technical Data	尺寸 / Dimensions
页码 / Page: SL-32ff	页码 / Page: SL-42ff	页码 / Page: SL-54, SL-56





内置电流互感器的低压高分断条形熔断器隔离开关, 上进线或下进线, 尺码1-尺码3, 单相分合闸, 185mm母线系统—DELTA触头  
**NH strip-type fuse-switch-disconnectors for built-in current-transformer, terminal at top or bottom side size 1 to 3, 1-pole switchable, for 185mm busbar systems - DELTA contact system**

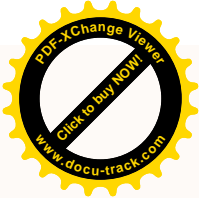
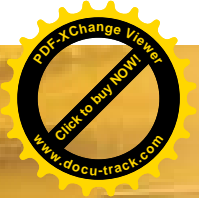
尺码 Size	接线方式 Terminal version	线径 Connection [mm <sup>2</sup> ]	电流 [A]	包装 PU	型号/Type	订货号 Article -No.
2	扁平端子 M12 Flat terminal M12	25 - 240	400	1	SL2-3X/3A/W	L2231001
2	钢制框型端子 KM2G Steel-frame clamp KM2G	25 - 300	400	1	SL2-3X/9/KM2G/W	L2296002
3	扁平端子 M12 Flat terminal M12	25 - 300	630	1	SL3-3X/3A/W	L3231001
3	钢制框型端子 KM2G Steel-frame clamp KM2G	25 - 300	630	1	SL3-3X/9/KM2G/W	L3296002
3	扁平端子 2xM12 Flat terminal 2xM12	2x300, 3x120	1000	1	SL3-3X/1000/W/HA/TM3	L3221300

**三相分合闸 / 3-pole switchable**

1	扁平端子 M10 Flat terminal M10	25 - 150	250	1	SL1-3X3/3A/W	L1331001
1	钢制框型端子 KM2G Steel-frame clamp KM2G	25 - 300	250	1	SL1-3X3/9/KM2G/W	L1396006
2	扁平端子 M12 Flat terminal M12	25 - 240	400	1	SL2-3X3/3A/W	L2331001
2	钢制框型端子 KM2G Steel-frame clamp KM2G	25 - 300	400	1	SL2-3X3/9/KM2G/W	L2396005
3	扁平端子 M12 Flat terminal M12	25 - 300	630	1	SL3-3X3/3A/W	L3331001
3	钢制框型端子 KM2G Steel-frame clamp KM2G	25 - 300	630	1	SL3-3X3/9/KM2G/W	L3396006
3	扁平端子 2xM12 Flat terminal 2xM12	2x300, 3x120	1000	1	SL3-3X3/1000/W/HA/TM3	L3321300

**三相分合闸, 安装电子式熔断器监测单元ES00 3-pole switchable, with electronic fuse-monitoring unit ES00**

尺码 Size	接线方式 Terminal version	线径 Connection [mm <sup>2</sup> ]	电流 [A]	包装 PU	型号/Type	订货号 Article -No.
1	扁平端子 M10 Flat terminal M10	25 - 150	250	1	SL1-3X3/3A/W/ES00	L1331705
2	扁平端子 M12 Flat terminal M12	25 - 240	400	1	SL2-3X3/3A/W/ES00	L2331706
3	扁平端子 M12 Flat terminal M12	25 - 300	630	1	SL3-3X3/3A/W/ES00	L3331705



备注 / *Notes*

Large grid area for notes.

低压高分断条形  
熔断器式  
隔离开关  
*NH strip-  
type fuse-switch-  
disconnectors*

低压高分断  
熔断器式  
隔离开关  
*NH fuse-switch-  
disconnectors*

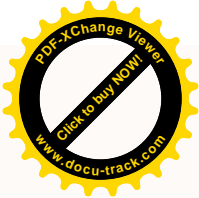
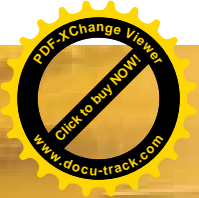
60mm母线系统  
*CIOISIMIO®*

附录  
*Appendix*



### 附件 / Accessories

	产品描述 / Description	尺码 Size	包装 PU	型号/Type	订货号 Article-No.	页码 Page
	<b>棱形接线夹 / Prism clamp</b> 10-70mm <sup>2</sup> Al/Cu	00	3	P0070-Z	K5141038	K-22
	<b>镏形接线端子 / Clip terminal</b> 1,5-50mm <sup>2</sup> Cu	00	3	S00-Z	K5041013	K-22
	<b>PEN接线端子 2 X KU00 / PEN-clamp with terminal lug 2 x KU00</b> 10-95mm <sup>2</sup> Al/Cu	00	1	KU00/1/2X/A30-40	K5801009	K-23
	<b>直接接线端子KU00 / Direct terminal clamp KU00</b> 10-95mm <sup>2</sup> Al/Cu	00	3	KU00	K5801015	K-21
	<b>直接接线端子 KM2G.. / Direct terminal clamp KM2G..</b> 25-240mm <sup>2</sup> Al/Cu	1-3	3	KM2G-F	K2301092	K-21
	25-300mm <sup>2</sup> Al/Cu	1-3	3	KM2G	K2301093	K-21
	<b>直接接线端子 / Direct terminal clamp</b> 70-240mm <sup>2</sup> Al/Cu	1-3	3	K2G/A	K2201092	K-23
	不适用于内置电流互感器的熔断器隔离开关 / not suitable at NH-fuse-switch-disconnectors for built-in current-transformer					
	<b>直接接线端子 / Direct terminal clamp</b> 2x70-185mm <sup>2</sup> Al/Cu 3x70-150mm <sup>2</sup> Al/Cu	4a	1	K3G/3/AF40-50	K3203015	K-23
	2x70-185mm <sup>2</sup> Al/Cu 4x70-150mm <sup>2</sup> Al/Cu	4a	1	K3G/4/AF40-50	K3204016	K-23
	2x120-300mm <sup>2</sup> Al/Cu	4a <sup>1)</sup>	1	KV2HG-F/2/300/AF40-50	K2322064	K-23
1) 仅适用于SL4a使用248mm安装宽度 / only suitable for NH-fuse-switch-disconnectors size 4a in 248mm width						
	<b>直接接线端子 / Direct terminal clamp</b> 2x240mm <sup>2</sup> , 2-Leiter 2x240mm <sup>2</sup> 2x240mm <sup>2</sup> , 2-conductors 2x240mm <sup>2</sup>	2-3	1	FK2x240-SL23	L8290160	SL-79



	产品描述 / Description	尺码 Size	包装 PU	型号/Type	订货号 Article -No.	页码 Page
	<b>接线端子套件 / Clamp retrofit kit</b>					
	2根95-240 <sup>2</sup> 导线, 螺栓连接装置 <i>For direct connection of 2-conductors 95-240mm<sup>2</sup> to devices with srew terminal</i>	1-3	1	KM2x240-SL23/3A	L8990727	-
	2根95-240 <sup>2</sup> 导线, V型端子接线夹连接装置 <i>For direct connection of 2-conductors 95-240mm<sup>2</sup> to devices with v-shaped terminal</i>	1-3	1	KM2x240-SL23/9	L8990728	-
	<b>端子罩适用于 KM2G 和 KM2G-F / Cover for clamp KM2G and KM2G-F</b>					
	用于KM2G或KM2G-F接线端子的保护 <i>For V-type box clamp type KM2G and KM2G-F</i>	1-3	3	HRV/KM2.../GELB	L8990573	SL-70
	<b>母排挂钩 / Busbar clamp</b>					
	用于安装母线厚度为5-10mm <i>For drillfree installation for busbar thickness 5-10mm</i>	00	3	SK-L/SL00	L8570207	SL-79
	用于安装母线厚度为10-15mm <i>For busbar thickness 10-15mm</i>	00	3	SK-L/SL00/15	L8570642	SL-79
	<b>母线挂钩 / Busbar clamp</b>					
	用于安装无需打孔的母线, 母线厚度为10-15mm <i>For drillfree installation for busbar thickness 10-15mm</i>	1-3	3	SK-L/SL123/10	L8970715	-
	<b>1对1适配器 / Adapter for 1 strip</b>					
	SL185mm ↔ 185mm System	00	1	AB-SL00/1	L8500262	SL-69
	SL100mm ↔ 185mm System	00	1	AB185-SL00/100/1/52	L8600912	SL-69
	SL100mm ↔ 60mm System	00	1	AB60-SL00/100/1	L8600178	SL-69
	<b>1对2适配器, 螺栓安装 / Adapter for 2 strips, screw fixation</b>					
	SL185mm ↔ 185mm System	00	1	AL-SL00/42	L8500605	SL-69
	SL185mm ↔ 100mm System	00	1	AL185-SL00/100/52	L8500897	SL-70
(用于SL00.../W使用, 请订购M8x40 的安装螺栓) / In combination with SL00.../W please order fixing screws M8 x 40mm)						
	<b>适用于2条形开关适配器, 挂钩式安装 / Adapter for 2 strips, clamp fixation</b>					
	SL185mm ↔ 185mm System	00	1	AL/SK-SL00/42	L8500852	SL-70
	SL185mm ↔ 100mm System	00	1	AL185/SK-SL00/100/52	L8500898	SL-70

低压高分断条形熔断器式隔离开关  
NH strip-type fuse-switch-disconnectors

低压高分断熔断器式隔离开关  
NH fuse-switch-disconnectors

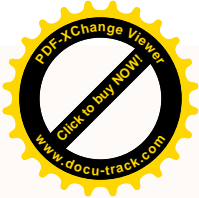
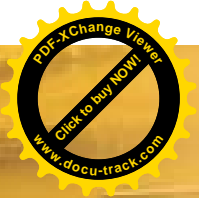
60mm母线系统  
CIOISIMIO®

附录  
Appendix



### 附件 / Accessories

	产品描述 / Description	尺码 Size	包装 PU	型号/Type	订货号 Article -No.	页码 Page
	<b>螺栓 (1 组 = 3 件) / Fixing screws (1 set = 3pc.)</b>					
	用于安装SL的电流互感器M8 x 40mm For installation of SL for built-in current-transformers M8 x 40mm	00	1	F-M8x40	L8590958	-
	用于安装SL的电流互感器M12 x 50mm For installation of SL for built-in current-transformers M12 x 50mm	1-3	1	F-M12x50	L8990955	-
	<b>加长罩 / Compensation panel</b>					
	用于加长适配SL1-3 For height compensation to SL1-3	00/100	1	BO/BU-SL00/100	L8650896	SL-71
	<b>盖板 / Blind cover for front cover cut-outs</b>					
	截面积300 x 50mm For cut-out 300 x 50mm	00/100	1	B-SL00/100	L8520386	SL-72
	截面积 633 x 50mm For cut-out 633 x 50mm	00	1	B-SL00/633	L8520119	SL-73
	截面积650 x 50mm For cut-out 650 x 50mm	00	1	B-SL00/650	L8590899	SL-73
	截面积 633 x 100mm For cut-out 633 x 100mm	1-3	1	B-SL123/633	L8220120	SL-73
	截面积 650 x 100mm For cut-out 650 x 100mm	1-3	1	B-SL123/650	L8920746	SL-73
	<b>端子罩 / Terminal cover</b>					
	适用于SL00-100/For SL00-100	00/100	1	HA-SL00/100	L8650974	-
	加长/Extension	00/100	1	HAV-SL00/100	L8650895	SL-71
	下端罩长度 100mm For cable terminal at bottom side, length 100mm	00	1	HA-SL00/185	L8551087	SL-71
	上端罩长度 132mm For cable terminal at top side, length 132mm	00	1	HA/AO-SL00/185	L8551091	SL-71
	适用于/For SL123	1-3	1	HA-SL123/10	L8950666	SL-71
	适用于/For SL3-3x2(6)	3	1	HA-SL3X2/10	L8950675	SL-72
	适用于/For SL3/910(1000), l = 220mm	1-3	1	HA220-SL123/10	L8950673	SL-72
适用于/For SL3/910(1000), l = 275mm	1-3	1	HA275-SL123/10	L8950674	SL-72	
	<b>螺栓安装的母线盖罩 / Busbar covers screw fixation</b>					
	185mm 系统/50mm 宽/M8 185mm system/50mm width/M8	-	3	H-SL00	L8550068	SL-74
	100mm 系统/50mm 宽/M8 100mm system/50mm width/M8	-	3	H-SL00/100	L8520323	SL-74
	185mm 系统/100mm 宽/M12 185mm system/100mm width/M12	-	3	H-SL123/662	L8220083	SL-74
	185mm 系统/100mm 宽/ 系统 M12 185mm system/100mm width/for stud bolt M12	-	3	H-SL123/ST	L8220166	SL-75



附件 / Accessories

	产品描述 / Description	尺码 Size	VE PU	型号/Type	订货号 Article -No.	页码 Page
	<b>挂钩安装的母线盖罩 / Busbar cover clip fixation</b> 185mm 系统 / 宽 100mm / M12 185mm system / 100mm width / M12	-	3	H-RF	S8900954	SL-74
	<b>侧位档板 / Busbar cover lateral fixation</b> 宽 50mm / 50mm width 宽 100mm / 100mm width	00 1-3	1 1	LA-SL00 LA-SL123	L8520350 L8920351	SL-75 SL-75
	<b>档板支持件 / Cover holder</b> 螺丝安装 / Screw fixation 带锁档板支持件 / With quick-release lock	00-3 00-3	4 4	AH-SL AH-SL/S	L8290020 L8290106	SL-75 SL-76
	<b>侧位档板 / Lateral cover support</b> 3个卡扣 T型配置 (长665mm) 3 clips with T profile (665mm length)	00-3	2	AHCT-SL00-3	L8990272	SL-76
	<b>保护盖罩 / Protective cover</b> U型保护罩适用于 SLTL 宽248mm U-type cover for SLTL 248mm width 扁平型保护罩适用于 SLTL 宽248mm Flat type cover for SLTL 248mm width U型保护罩适用于 SLTL 宽147mm U-type cover for SLTL 147mm width	4a 4a 4a	1 1 1	HU-SLTL4A HF-SLTL4A HU-SLTL4A/147	L8420197 L8420210 L8450482	SL-76 SL-76 SL-77
	<b>标志牌 / Description plate, top</b> 适用于 / For SL00-185 适用于 / For SL1-3	00-185 1-3	5 5	BZO-SL00 BZO-SL123/10	L8590656 L8990251	SL-77 SL-77
	<b>开关位置状态指示 / Switch position indicator</b> 适用于 SL00-100 三相分合闸 For SL00-100 3-pole switchable 适用于 SL00-185 三相分合闸 For SL00-185 3-pole switchable 适用于 SL1-3, 三相分合闸 For SL1-3 3-pole switchable	00-100 00-185 1-3	1 1 1	EV-SL00/100 EV-SL00/3X3 EV-SL123/3X3/10	L8690901 L8990454 L8990667	- - -
	<b>开关位置状态指示+机械式熔断器状态指示 / Position indicator + mechanical fuse monitor</b> 适用于 / For SLTL 4a	4a	1	K/EV-LTL4a	T8420057	-

低压高分断条形  
熔断器式  
隔离开关  
NH strip-  
type fuse-switch-  
disconnectors

低压高分断  
熔断器式  
隔离开关  
NH fuse-switch-  
disconnectors

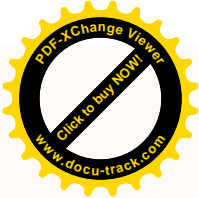
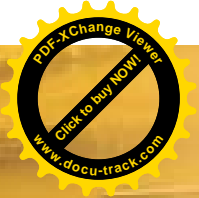
60mm 母线系统  
CIOISIMIO®

附录  
Appendix




附件 / Accessories

	描述 / Description	尺码 Size	包装 PU	型号/Type	订货号 Article -No.	页码 Page
	<b>电流互感器安装套件 (不包含电流互感器) / Current transformer mounting kit (without ct.)</b>					
	单相测量, 型号 WSD30 1-phase measurement, Typ WSD30	1-3	1	10W/L3-L/SL123	L8990658	SL-77
	三相测量, 型号 WSD30 3-phase measurement, Typ WSD30	1-3	1	30W-L/SL123	L8900652	SL-78
	<b>托架 / Fixing bracket</b>					
	适用于挂在母线上的SL For hooking the SL on the busbar	1-3	10	MW-SL123	L8990621	-
	<b>母线支架 / Busbar support</b>					
	适用于母线中心距100mm和185mm For 100mm and 185mm busbar distance, M10, 30Nm	-	10	SH100/185	S8900003	SL-78
	<b>母线支架盖罩 / Lateral cover for busbar support</b>					
	适用于100mm母线系统 For 100mm busbar distance	-	2	HW-SH/100	S8901188	-
	适用于185mm母线系统 For 185mm busbar distance	-	2	HW-SH/185	S8900378	-
	<b>临时取电适配器 / Piggyback-Adapter</b>					
	用于临时用电, NH000, 最大电流100A For temporary power supply, for NH000 max. 100A	1-3	3	HP-SE/L	L8990491	SL-78
	<b>PEN-接线夹 / PEN-clamp</b>					
	用于临时用电, 母线厚度5-10mm For temporary power supply, for busbar thickness 5-10mm	-	1	SK-S0070	K5441020	SL-78
	<b>过渡排 / Railing kit</b>					
	连接端子 2x300mm <sup>2</sup> , 3x120mm <sup>2</sup> Terminal for 2x300mm <sup>2</sup> , 3x120mm <sup>2</sup>	1-3	1	VS-SL3/1000	L8390600	SL-79
	连接端子 1x400mm <sup>2</sup> Terminal for 1x400mm <sup>2</sup>	1-3	1	VS-SL3/400QMM	L8390937	SL-79
	<b>双并过渡排 / Railing kit for ganged disconnect</b>					
	连接端子 3x300mm <sup>2</sup> , 4x185mm <sup>2</sup> Terminal for 3x300mm <sup>2</sup> , 4x185mm <sup>2</sup>	2-3		VS-SL3/1250	L8990669	SL-80
	连接端子 4x240mm <sup>2</sup> / Terminal for 4x240mm <sup>2</sup>	3		VS-SL123/4x240QMM	L8390921	SL-80
	<b>双并操作手柄 / Handle connecting kit</b>					
	适用于双拼开关 / For ganged disconnect	2-3		VBS-SL3X2(6)	L8990668	SL-80



低压高分断条形熔断器隔离开关内置用电流互感器

Accessories for NH strip-type fuse-switch-disconnectors for built-in current transformers low voltage current transformers

	尺码 Size	一次侧电流 Primary current	二次侧电流 Secondary current	额定输出功率 Rated power output	精度 Class	型号/Type	订货号 Article -No.		
		[A]	[A]	[VA]					
00		50	5	0,6	3	WKD50/3/50-5/0,6	W1311051		
		100	1	2	1	WKD50/1/100-1/2	W1312012		
		100	5	1,5	1	WKD50/1/100-5/1,5	W1312052		
		150	1	3	1	WKD50/1/150-1/3	W1312213		
		150	5	2,5	1	WKD50/1/150-5/2,5	W1312253		
		100	1	1,5	0,5	WKD50/5/100-1/1,5	W1352012		
		100	5	1	0,5	WKD50/5/100-5/1	W1352051		
		150	1	2,5	0,5	WKD50/5/150-1/2,5	W1352213		
		150	5	1,5	0,5	WKD50/5/150-5/1,5	W1352252		
		1-3		100	1	2	1	WKD51/1/100-1/2	W1412012
				100	5	2	1	WKD51/1/100-5/2	W1412052
				150	1	2,5	1	WKD51/1/150-1/2,5	W1412213
				150	5	2,5	1	WKD51/1/150-5/2,5	W1412253
				200	1	2,5	1	WKD51/1/200-1/2,5	W1412313
				200	5	3,75	1	WKD51/1/200-5/3,75	W1412353
				250	1	5	1	WKD51/1/250-1/5	W1412414
				250	5	3,75	1	WKD51/1/250-5/5	W1412453
				300	1	3,75	1	WKD51/1/300-1/3,75	W1412513
300	5			3,75	1	WKD51/1/300-5/3,75	W1412553		
400	1			5	1	WKD51/1/400-1/5	W1412614		
400	5			5	1	WKD51/1/400-5/5	W1412654		
500	1			5	1	WKD51/1/500-1/5	W1412714		
500	5			5	1	WKD51/1/500-5/5	W1412754		
600	1			5	1	WKD51/1/600-1/5	W1412814		
600	5			5	1	WKD51/1/600-5/5	W1412854		
1000	5			5	1	WKD52/1/1000-5/5	W1515053		
100	1			1,5	0,5	WKD51/5/100-1/1,5	W1452012		
100	5			1	0,5	WKD51/5/100-5/1	W1452051		
150	1			2,5	0,5	WKD51/5/150-1/2,5	W1452213		
150	5	1,5	0,5	WKD51/5/150-5/1,5	W1452252				
250	1	2,5	0,5	WKD51/5/250-1/2,5	W1452413				
250	5	2,5	0,5	WKD51/5/250-5/2,5	W1452453				
300	1	2,5	0,5	WKD51/5/300-1/2,5	W1452513				
300	5	2,5	0,5	WKD51/5/300-5/2,5	W1452553				
400	1	2,5	0,5	WKD51/5/400-1/2,5	W1452613				
400	5	2,5	0,5	WKD51/5/400-5/2,5	W1452653				
500	1	2,5	0,5	WKD51/5/500-1/2,5	W1452713				
500	5	2,5	0,5	WKD51/5/500-5/2,5	W1452753				
600	1	2,5	0,5	WKD51/5/600-1/2,5	W1452813				
600	5	2,5	0,5	WKD51/5/600-5/2,5	W1452853				

低压高分断条形熔断器式隔离开关  
NH strip-type fuse-switch-disconnectors

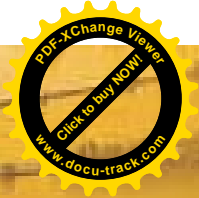
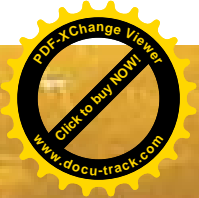
低压高分断熔断器式隔离开关  
NH fuse-switch-disconnectors


60mm母线系统  
CIOISIMIO®

附录  
Appendix


应要求获得认证 / Certified current-transformers on request

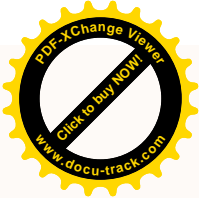
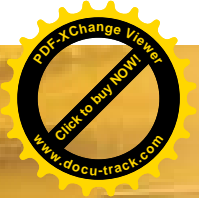




	高度 / Height	外径 / Outside Ø [mm]	内径 / Inside Ø [mm]	型号/Type	订货号 Article-No.
	厚度 / Spacer sleeve				
	30	22	12,5	DA22 DI12,5 H30	W8300001
	30	22	8,5	DA22 DI8,5 H30	W8300002
	36	21	12,5	DA21 DI12,5 H36	W8300003
	36	22,5	12,5	DA22,5 DI12,5 H36	W8300005
	45	22	8,5	DA22 DI8,5 H45	W8300008
	45	22	12,5	DA22,5 DI12,5 H45	W8300009
	60	44	12,5	DA44 DI12,5 H60	W8300010

空位适配器, 用于单相测量WH00及WH123/ Current transformers for ct-holder WH00 and WH123

	一次侧电流 Primary current	二次侧电流 Secondary current	额定输出功率 Rated power output	精度 Class	型号/Type	订货号 Article-No.
	[A]	[A]	[VA]			
	75	1	1	1	WSD25/1/75-5/1	W3211251
	100	1	1	1	WSD25/1/100-1/1	W3212011
	150	1	2,5	1	WSD25/1/150-1/2,5	W3212213
	200	1	3	1	WSD25/1/200-1/3	W3212313
	250	1	5	1	WSD25/1/250-1/5	W3212414
	300	1	3,75	1	WSD25/1/300-1/3,75	W3212513
	400	1	5	1	WSD25/1/400-1/5	W3212614
	500	1	5	1	WSD25/1/500-1/5	W3212714
	600	1	5	1	WSD25/1/600-1/5	W3212814
	75	5	1	1	WSD25/1/75-5/1	W3211211
	100	5	1,5	1	WSD25/1/100-5/1,5	W3212052
	150	5	2,5	1	WSD25/1/150-5/2,5	W3212253
	200	5	3,75	1	WSD25/1/200-5/3,75	W3212353
	250	5	5	1	WSD25/1/250-5/5	W3212454
	300	5	3,75	1	WSD25/1/300-5/3,75	W3212553
	400	5	5	1	WSD25/1/400-5/5	W3212654
	500	5	5	1	WSD25/1/500-5/5	W3212754
	600	5	5	1	WSD25/1/600-5/5	W3212854



	描述 <i>Description</i>	尺码 <i>Size</i>	包装 <i>PU</i>	型号/Type	订货号 <i>Article -No.</i>	页码 <i>Page</i>
	<b>空位适配器用于单相测量 / Distance adapter for 1-phase measurement</b>					
	一次侧 + 固定元件 <i>Primary conductor + fixing element</i>	00/100	1	HDR20-SL00	L8590894	-
		1-3	1	HDR26-SL123	L8990920	-
	<b>内置电流互感器三相测量用套件 / Wiring kit 3-pole for disconnectors with built-in Cts</b>					
	端子罩 <i>Terminal block</i>	00/100	1	BS-KL-SL00	L8590959	-
	端子罩 + 二次侧 2,5mm <sup>2</sup> <i>Terminal block + secondary conductors 2,5mm<sup>2</sup></i>	1-3	1	BS-KL-SL123	L8990960	-
	<b>内置测量表盖罩 (无电流表) / Meter holder (without meter)</b>					
	适用于测量表 / <i>For meter</i> 48x48mm H = 135mm; B/W = 50mm	00/100	1	BO-SL00/100/48X48	L8550967	-
	适用于测量表 / <i>For meter</i> 48x48mm H = 227mm; B/W = 50mm	00/100	1	BU-SL00/100/48X48	L8551017	-
	适用于测量表 / <i>For meter</i> 48x48mm H = 100mm; B/W = 100mm	1-3	1	HA-SL123/48X48	L8950963	-
	适用于测量表 / <i>For meter</i> 72x72mm H = 100mm; B/W = 100mm	1-3	1	HA-SL123/72X72	L8950965	-
	适用于测量表 / <i>For meter</i> 96x96mm H = 100mm; B/W = 100mm	1-3	1	HA-SL123/96X96	L8951046	-
	<b>电流互感器支架 / Current-transformer holder</b>					
	160A 使用支架厚度 45mm, 适用于 WSD25 <i>160A with spacer sleeve 45mm, for WSD25</i>	1-3	1	WH00+DH45/DI12,5	L8590742	-
	250A-630A 使用支架厚度 45mm, 适用于 WSD25 <i>250A-630A with spacer sleeve 45mm, for WSD25</i>	1-3	1	WH123+DH45/DI12,5	L8990704	-

逐步淘汰产品 - 以修正带有电流互感器的标准低压熔断器隔离开关  
*Phase-out-product - For retrofitting of current-transformers at standard NH-fuse switch-disconnectors*

低压高分断条形  
熔断器式  
隔离开关  
NH strip-  
type fuse-switch-  
disconnectors

低压高分断  
熔断器式  
隔离开关  
NH fuse-switch-  
disconnectors

60mm母线系统  
CIOISIMIO®

附录  
Appendix



# 特殊应用 COMPETENCE

## 特殊型号/ *Special versions*

对于不同的用户, 多变的应用场合, 金米勒都会严格的按照用户需求为您提供相应的解决方案。在特殊应用方案的研发方面, 我们的团队拥有着数十年的成功经验。独一无二的开发技术, 将您与我们紧紧相联, 为您和您的团队打造适用范围更广, 系列型号更齐全的产品, 满足各层次客户的需求, 提供卓有成效的服务。

*The different applications of our customers need special solutions. JEAN MÜLLER has successfully met the challenge of the development of those extraordinary solutions for decades. The adaptation of product-versions and the completion with special accessories generates customer's benefit. Individual technical solutions for special built-in applications and requirements are designed in close coordination with our partners.*

您还没有找到适合您的解决方案吗? / *You haven't found any solution for your application?*  
请联系我们吧! / ***Please contact us!***



在条形开关内部我们加设了一个额外的内锁, 以确保开关短时耐受电流达到 25kA/s, 可用于630kVA变压器的二次侧进线。  
(当  $u_k = 4\%$ ,  $I_k = 22,75kA$ )

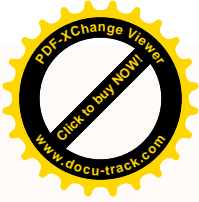
*An additional interlock at switch-disconnectors makes sure a rated short-time withstand current of 25kA/1s and enables therewith an usage as switch-disconnector on the secondary side of 630kVA-transformers  
( $I_k = 22,75kA$  at  $u_k = 4\%$ )*



开槽的馈电接触面允许隔离开关挂在预装螺栓的母线系统中

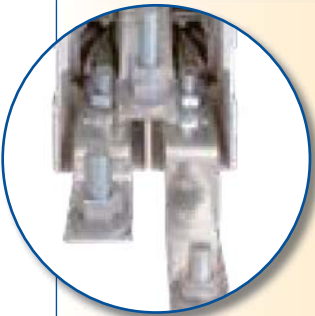
*Slotted feeding contacts allow to hook the disconnector into pre-assembled bolts on busbar system*

SL-40



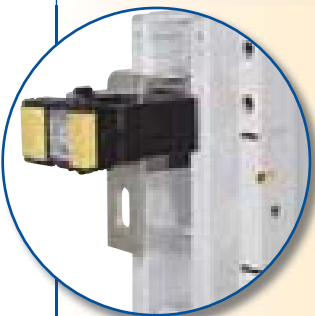
螺栓连接方式弥补了切割电缆的不精确且方便大电缆的连接

*A sliding nut terminal compensates inaccuracies during cutting-off the cable and enables easier connecting of cables with big cross sections.*



过渡端子增加了不同相间的距离，且能与非标准特种电缆接线头的相连接。

*The retrofitable terminal connection unit enhances the distances between the different phases and enables a connection of special cable lugs with unstandardised dimensions*



内置电流互感器的低压高分断条形熔断器式隔离开关，可选择安装馈电连接件带有预置增高电流互感器的。

*Feeding contacts with increased height grant the assembling of special current transformers and provide a technical option to the NH strip-type fuse-switch-disconnectors for built-in current transformers*

低压高分断条形  
熔断器式  
隔离开关  
NH strip-  
type fuse-switch-  
disconnectors

低压高分断  
熔断器式  
隔离开关  
NH fuse-switch-  
disconnectors

60mm母线系统  
CIOISIMIO®

附录  
Appendix

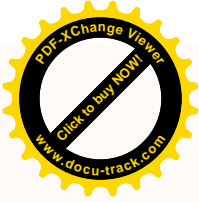
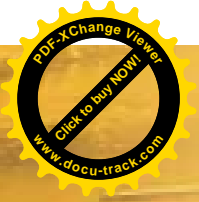


技术参数 / *Technical data*

型号/Type			SL00/100	SL00/185				
电气参数 <i>Ratings</i>	参照标准 DIN VDE 0636-2 <i>For NH fuse-links acc. to DIN VDE 0636-2</i>	尺码 <i>Size</i>	000/00	000/00				
	额定工作电压 <i>Rated operational voltage</i>	$U_e$ V	AC690	AC690				
	额定工作电流 <sup>1)</sup> <i>Rated operational current<sup>1)</sup></i>	$I_e$ A	160	160				
	使用熔断器时约定发热电流 <sup>1)</sup> <i>Conv. free air thermal current with fuse-links<sup>1)</sup></i>	$I_{th}$ A	160	160				
	使用隔离刀片时约定发热电流 <sup>1)</sup> <i>Conv. free air thermal current with solid-links<sup>1)</sup></i>	$I_{th}$ A	210	210				
	额定频率 <i>Rated frequency</i>	- Hz	40-60	40-60				
	额定绝缘电压 <i>Rated insulation voltage</i>	$U_i$ V	AC800	AC800				
	约定发热电流损耗 (不安装熔断器) <i>Total power loss at <math>I_{th}</math> (without fuse-links)</i>	$P_v$ W	18	23				
	额定冲击耐受电压 <i>Rated impulse withstand voltage</i>	$U_{imp}$ kV	8	8				
	使用类别 <i>Utilization category</i>	-	AC-22B (160A/400V) AC-22B (160A/500V) AC-22B (100A/690V)	AC-22B (160A/400V) AC-22B (160A/500V) AC-22B (100A/690V)				
	额定短路电流 <sup>2)</sup> <i>Rated conditional short-circuit current<sup>2)</sup></i>	- kA	80	100kA (690V) 120kA (500V)				
	额定短时耐受电流 <i>Rated short-time withstand current</i>	$I_{cw}$ kA	-	-				
	单位熔断器最大允许损耗功率 <i>Max. permis. power loss per fuse-link</i>	$P_a$ W	12	12				
接线端子 <i>Cable terminal</i>	扁平端子 <i>Flat terminal</i>	螺栓直径 <i>Bolt diameter</i>	-	-	M8	M8		
		电缆线径 <i>Cable lug (DIN 46 235)</i>	-	mm <sup>2</sup>	1 x 10-95 (max. 25mm 宽) 1 x 10-95 (max. 25mm width)	1 x 10-95 (max. 25mm 宽) 1 x 10-95 (max. 25mm width)		
		扁平铜排 <i>Flat bar</i>	-	mm	20 x 10	20 x 10		
		安装扭矩 <i>Tightening torque</i>	$M_a$	Nm	12-15	12-15		
	接线夹 <i>Clamp</i>	电缆线径 <i>Clamping cross-section</i>	-	mm <sup>2</sup>	S00	○: 1,5 - 70 Cu / □: 6 x 9 x 0,8	S00	○: 1,5 - 70 Cu / □: 6 x 9 x 0,8
			安装扭矩 <i>Tightening torque</i>	-				
	接线夹 <i>Clamp</i>	电缆线径 <i>Clamping cross-section</i>	-	mm <sup>2</sup>	P00-70	10 - 70 Al/Cu	P00-70	10 - 70 Al/Cu
			安装扭矩 <i>Tightening torque</i>	-				

备注 / *Legend*

- : 圆形导体 / *Round conductor*
- : 矩形导体 / *Strip conductor*



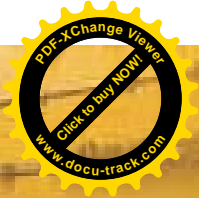
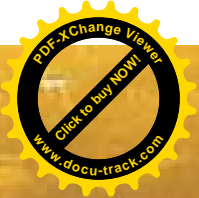
型号/Type					SL00/100		SL00/185	
接线端子 <i>Cable terminal</i>	接线夹 <i>Clamp</i>	电缆线径 <i>Clamping cross-section</i>	-	mm <sup>2</sup>	KU00	10 - 95 Al/Cu	KU00	10 - 95 Al/Cu
		安装扭矩 <i>Tightening torque</i>	-	Nm		10		15
	接线夹 <i>Clamp</i>	电缆线径 <i>Clamping cross-section</i>	-	mm <sup>2</sup>	F70	○: 1,5 - 70 Cu / □: 6 x 9 x 0,8	F70	16-95 re/rm 35-150 se/sm
		安装扭矩 <i>Tightening torque</i>	-	Nm		2,6		20Nm
	接线夹 <i>Clamp</i>	电缆线径 <i>Clamping cross-section</i>	-	mm <sup>2</sup>	KM00	16 - 95 Al/Cu	KM00	16 - 95 Al/Cu
		安装扭矩 <i>Tightening torque</i>	-	Nm		10		10
安装完毕后, 开关面板侧 <i>Front side, device fitted</i>	开关面板侧, 设备 已用端子和侧盖板 安装 <i>Front side, device fitted with clamp and lateral covers</i>	工作状态 <i>Operating condition</i>	-	-	IP30		IP30	
		断开状态 <i>Switching element open</i>	-	-	IP10		IP10	
工作条件 <i>Operating conditions</i>	环境温度 <sup>3)</sup> / <i>Ambient temperature<sup>3)</sup></i>	T <sub>amb</sub>	°C	-25 到 / to +55				
	额定工作方式 / <i>Rated operating mode</i>	-	-	不间断工作制 / <i>Uninterrupted duty</i>				
	操作方式 / <i>Actuation</i>	-	-	有关人力操作 <i>Dependent manual operation</i>				
	安装位置 / <i>Mounting position</i>	-	-	垂直, 水平 <i>Vertical, horizontal</i>				
	海拔高度 / <i>Altitude</i>	-	m	可达 2000 / <i>Up to 2000</i>				
	污染等级 / <i>Pollution degree</i>	-	-	3				
	过压等级 / <i>Overvoltage category</i>	-	-	III	IV			

低压高分断条形  
熔断器式  
隔离开关  
NH strip-  
type fuse-switch-  
disconnectors

低压高分断  
熔断器式  
隔离开关  
NH fuse-switch-  
disconnectors

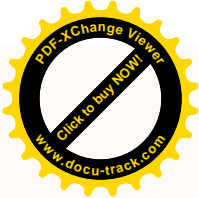
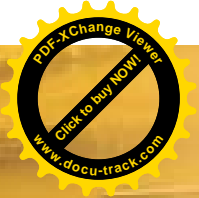
60mm母线系统  
CIOISIMIO®

1) 当需要将多个开关安装于同一开关柜中时, 请根据EN 60439-1标准考虑开关的额定分散系数。  
In case of mounting of several units in low voltage switchgear-combinations, please consider rated diversity factors acc. to EN 60439-1.  
2) 请使用gG特性的低压熔断器进行型式试验。/ Type tested with LV-HRC-fuse-links characteristic gG.  
3) 35°C为正常使用温度, 55°C时需降低额定工作电流。/ 35°C Normal temperature, at 55°C with reduced operating current



技术参数 / *Technical data*

型号/Type			SL1		SL2				
电气参数 <i>Ratings</i>	参照标准DIN VDE 0636-2 <i>For NH fuse-links acc. to DIN VDE 0636-2</i>		尺码 <i>Size</i>		1		2		
	额定工作电压 <i>Rated operational voltage</i>		$U_e$	V	AC690		AC690		
	额定工作电流 <sup>1)</sup> <i>Rated operational current<sup>1)</sup></i>		$I_e$	A	250		400		
	使用熔断器时约定发热电流 <sup>1)</sup> <i>Conv. free air thermal current with fuse-links<sup>1)</sup></i>		$I_{th}$	A	250		400		
	使用隔离刀片时约定发热电流 <sup>1)</sup> <i>Conv. free air thermal current with solid-links<sup>1)</sup></i>		$I_{th}$	A	400		630		
	额定频率 <i>Rated frequency</i>		-	Hz	40-60		40-60		
	额定绝缘电压 <i>Rated insulation voltage</i>		$U_i$	V	AC1000		AC1000		
	约定发热电流损耗 (不安装熔断器) <i>Total power loss at Ith (without fuse-links)</i>		$P_v$	W	23		54		
	额定冲击耐受电压 <i>Rated impulse withstand voltage</i>		$U_{imp}$	kV	12		12		
	使用类别 <i>Utilization category</i>		-	-	AC-22B (250A/690V) AC-22B (250A/500V) AC-23B (250A/400V)		AC-21B (400A/690V) AC-22B (400A/500V) AC-23B (400A/400V)		
	额定短路电流 <sup>2)</sup> <i>Rated conditional short-circuit current<sup>2)</sup></i>		$I_{cc}$	kA	110		110		
	额定短时耐受电流 <i>Rated short-time withstand current</i>		$I_{cw}$	kA	-		-		
	单位熔断器最大允许损耗功率 <i>Max. permis. power loss per fuse-link</i>		$P_a$	W	32		45		
接线端子 <i>Cable terminal</i>	扁平端子 <i>Flat terminal</i>	螺栓直径 <i>Bolt diameter</i>	-	-	M10		M12		
		电缆线径 <i>Cable lug (DIN 46 235)</i>	-	mm <sup>2</sup>	1 x 25-150		1 x 25-240		
		扁平铜排 <i>Flat bar</i>	-	mm	30 x 10		30 x 10		
		安装扭矩 <i>Tightening torque</i>	$M_a$	Nm	30-35		35-40		
	接线夹 <i>Clamp</i>	电缆线径 <i>Clamping cross-section</i>	-	mm <sup>2</sup>	KM2G-F	25-240		KM2G-F	25-240
		安装扭矩 <i>Tightening torque</i>	-	Nm		32			32



型号/Type				SL1	SL2	
防护等级 <i>Degree of protection</i>	安装完毕后, 开关面板侧 <i>Front side, device fitted</i>	工作状态 <i>Operating condition</i>	-	-	IP30	IP30
		断开状态 <i>Switching element open</i>	-	-	IP10	IP10
工作条件 <i>Operating conditions</i>	环境温度 <sup>3)</sup> / <i>Ambient temperature</i> <sup>3)</sup>		T <sub>amb</sub>	°C	-25 到 / to +55	
	额定工作方式 / <i>Rated operating mode</i>		-	-	不间断工作制 / <i>Uninterrupted duty</i>	
	操作方式 / <i>Actuation</i>		-	-	有关人力操作 <i>Dependent manual operation</i>	
	安装位置 / <i>Mounting position</i>		-	-	垂直, 水平 <i>Vertical, horizontal</i>	
	海拔高度 / <i>Altitude</i>		-	m	可达 2000 / <i>Up to 2000</i>	
	污染等级 / <i>Pollution degree</i>		-	-	3	
过压等级 / <i>Overvoltage category</i>		-	-	IV		

- 1) 当需要将多个开关安装于同一开关柜中时, 请根据EN 60439-1标准考虑开关的额定分散系数。  
*In case of mounting of several units in low voltage switchgear-combinations, please consider rated diversity factors acc. to EN 60439-1.*
- 2) 请使用gG特性的低压熔断器进行型式试验。 / *Type tested at AC725V with LV-HRC-fuse-links characteristic gG.*
- 3) 35° C为正常使用温度, 55° C时需降低额定工作电流。 / *35°C Normal temperature, at 55°C with reduced operating current*

低压高分断条形  
熔断器式  
隔离开关  
NH strip-  
type fuse-switch-  
disconnectors

低压高分断  
熔断器式  
隔离开关  
NH fuse-switch-  
disconnectors

60mm母线系统  
CIOISIMIO®

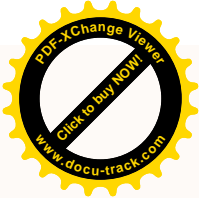
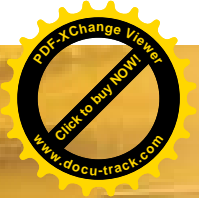
附录  
Appendix





技术参数/Technical data

型号/Type				SL1G	SL2G			
电气参数 Electrical characteristics	参照标准DIN VDE 0636-2 For NH fuse-links acc. to DIN VDE 0636-2	尺寸 Size		1	2			
	额定工作电压 Rated operational voltage	$U_e$	V	AC690	AC690			
	额定工作电流 <sup>1)</sup> Rated operational current <sup>1)</sup>	$I_e$	A	250	400			
	使用熔断器时约定发热电流 <sup>1)</sup> Conv. free air thermal current with fuse-links <sup>1)</sup>	$I_{th}$	A	250	400			
	使用隔离刀片时约定发热电流 <sup>1)</sup> Conv. free air thermal current with solid-links <sup>1)</sup>	$I_{th}$	A	400	400			
	额定频率 Rated frequency	-	Hz	40-60	40-60			
	额定绝缘电压 Rated insulation voltage	$U_i$	V	AC1000	AC1000			
	约定发热电流损耗 (不安装熔断器) Total power loss at lth (without fuse-links)	$P_v$	W	29	74			
	额定冲击耐受电压 Rated impulse withstand voltage	$U_{imp}$	kV	12	12			
	使用类别 Utilization category	-	-	AC-22B (250A/690V) AC-22B (250A/500V) AC-22B (250A/400V)	AC-21B (400A/690V) AC-22B (400A/500V) AC-22B (400A/400V)			
	额定短路电流 <sup>2)</sup> Rated conditional short-circuit current <sup>2)</sup>	$I_{cc}$	kA	80	80			
	额定短时耐受电流 Rated short-time withstand current	$I_{cw}$	kA	-	-			
	单位熔断器最大允许损耗功率 Max. permis. power loss per fuse-link	$P_a$	W	32	45			
接线端子 Cable terminal	扁平端子 Flat terminal	螺栓直径 Bolt diameter	-	-	M10	M12		
		电缆线径 Cable lug (DIN 46 235)	-	mm <sup>2</sup>	1 x 25-150	1 x 25-240		
		扁平铜排 Flat bar	-	mm	30 x 10	30 x 10		
		安装扭矩 Tightening torque	$M_a$	Nm	30-35	35-40		
	接线夹 Clamp	电缆线径 Clamping cross-section	-	mm <sup>2</sup>	KM2G-F	25-240	KM2G-F	25-240
		安装扭矩 Tightening torque	-	Nm		32		



Typ/Type				SL1G	SL2G	
防护等级 <i>Degree of protection</i>	开关面板侧, 设备已用端子和侧盖板安装 <i>Front side, device fitted with clamp and lateral covers</i>	工作状态 <i>Operating condition</i>	-	-	IP30	IP30
		断开状态 <i>Switching element open</i>	-	-	IP10	IP10

工作条件 <i>Operating conditions</i>	环境温度 <sup>3)</sup> / <i>Ambient temperature</i> <sup>3)</sup>	T <sub>amb</sub>	°C	-25 从 / to +55
	额定工作方式 / <i>Rated operating mode</i>	-	-	不间断工作制 / <i>Uninterrupted duty</i>
	操作方式 / <i>Actuation</i>	-	-	有关人力操作 <i>Dependent manual operation</i>
	安装位置 / <i>Mounting position</i>	-	-	垂直, 水平 <i>Vertical, horizontal</i>
	海拔高度 / <i>Altitude</i>	-	m	可达 2000 / <i>Up to 2000</i>
	污染等级 / <i>Pollution degree</i>	-	-	3
过压等级 / <i>Overvoltage category</i>	-	-	IV	

- 1) 当需要将多个开关安装于同一开关柜中时, 请根据EN 60439-1标准考虑开关的额定分散系数。  
*In case of mounting of several units in low voltage switchgear-combinations, please consider rated diversity factors acc. to EN 60439-1.*
- 2) 型式试验在AC725V, 带gG特性低压熔断器 / *Type tested at AC725V with NH fuse-links characteristic gG.*
- 3) 35° C 正常使用, 在 55° C 时工作电流降容使用 / *35°C Normal temperature, at 55°C with reduced operating current*

低压高分断条形  
熔断器式  
隔离开关  
NH strip-  
type fuse-switch-  
disconnectors

低压高分断  
熔断器式  
隔离开关  
NH fuse-switch-  
disconnectors

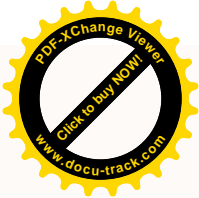
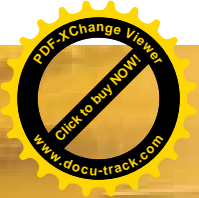
60mm母线系统  
CIOISIMIO®

附录  
Appendix



技术参数 / Technical data

型号/Type			SL3	SL3/910A	SL3/910A+		
电气参数 Ratings	参照标准 DIN VDE 0636-2 For NH fuse-links acc. to DIN VDE 0636-2	尺码 Size	3	3			
	额定工作电压 Rated operational voltage	U <sub>e</sub> V	AC690	AC400			
	额定工作电流 <sup>1)</sup> Rated operational current <sup>1)</sup>	I <sub>e</sub> A	630	910			
	使用熔断器时约定发热电流 <sup>1)</sup> Conv. free air thermal current with fuse-links <sup>1)</sup>	I <sub>th</sub> A	630	910	1000		
	使用隔离刀片时约定发热电流 <sup>1)</sup> Conv. free air thermal current with solid-links <sup>1)</sup>	I <sub>th</sub> A	800	1250			
	额定频率 Rated frequency	- Hz	40-60	40-60			
	额定绝缘电压 Rated insulation voltage	U <sub>i</sub> V	AC1000	AC690			
	约定发热电流损耗 (不安装熔断器) Total power loss at I <sub>th</sub> (without fuse-links)	P <sub>v</sub> W	115	155	140		
	额定冲击耐受电压 Rated impulse withstand voltage	U <sub>imp</sub> kV	12	8			
	使用类别 Utilization category	-	AC-21B (630A/690V) AC-22B (630A/500V) AC-22B (630A/400V)	AC-22B (1250A/400V) AC-22B (910A/400V)			
	额定短路电流 <sup>2)</sup> Rated conditional short-circuit current <sup>2)</sup>	- kA	110 <sup>2a)</sup>	50 <sup>2b)</sup>			
	额定短时耐受电流 Rated short-time withstand current	I <sub>cw</sub> kA	10/15kA <sup>4)</sup>	10/15kA <sup>4)</sup>			
	单位熔断器最大允许损耗功率 Max. permis. power loss per fuse-link	P <sub>a</sub> W	48	61			
接线端子 Cable terminal	扁平端子 Flat terminal	螺栓直径 Bolt diameter	-	-	M12	2 x M12	
		电缆线径 Cable lug (DIN 46 235)	-	mm <sup>2</sup>	1 x 25-300	最大宽度 43mm Width max. 43mm	2 x 300, 3 x 185
		扁平铜排 Flat bar	-	mm	30 x 10		80 x 10
		安装扭矩 Tightening torque	M <sub>a</sub>	Nm	35 - 40		35 - 40
	接线夹 Clamp	电缆线径 Clamping cross-section	-	mm <sup>2</sup>	KM2G	25 - 150 / 185 - 300 32	-
		安装扭矩 Tightening torque	-	Nm			-
	接线夹 Clamp	电缆线径 Clamping cross-section	-	mm <sup>2</sup>	KM2G-F	25 - 240 32	-
		安装扭矩 Tightening torque	-	Nm			-



型号/Type				SL3	SL3/910A	SL3/910A+
防护等级 <i>Degree of protection</i>	安装完毕后, 开关面板侧 <i>Front side, device fitted</i>	工作状态 <i>Operating condition</i>	-	-	IP30	IP30
		断开状态 <i>Switching element open</i>	-	-	IP10	IP10
工作条件 <i>Operating conditions</i>	环境温度 <sup>3)</sup> / <i>Ambient temperature</i> <sup>3)</sup>		T <sub>amb</sub>	°C	-25 从 / to +55	
	额定工作方式 / <i>Rated operating mode</i>		-	-	不间断工作制 / <i>Uninterrupted duty</i>	
	操作方式 / <i>Actuation</i>		-	-	有关人力操作 <i>Dependent manual operation</i>	
	安装位置 / <i>Mounting position</i>		-	-	垂直, 水平 <i>Vertical, horizontal</i>	
	海拔高度 / <i>Altitude</i>		-	m	可达 2000 / <i>Up to 2000</i>	
	污染等级 / <i>Pollution degree</i>		-	-	3	
过压等级 / <i>Overvoltage category</i>		-	-	IV		

- 1) 当需要将多个开关安装于同一开关柜中时, 请根据EN 60439-1标准考虑开关的额定分散系数。  
*In case of mounting of several units in low voltage switchgear-combinations, please consider rated diversity factors acc. to EN 60439-1.*
- 2a) 型式试验在AC420V, 带gG特性500V低压熔断器630A和在AC725V, 带gG特性690V低压熔断器500A  
*Type tested at AC420V with LV-HRC-fuse-links 630A/500V characteristic gG, at AC725V with LV-HRC-fuse-links 500A/690V characteristic gG.*
- 2b) 型式试验带AC400V, gTr特性低压熔断器910A / *Type tested with LV-HRC-fuse-links 400V/910A characteristic gTr.*
- 3) 35° C 正常使用, 在 55° C 时工作电流降容使用 / *35°C Normal temperature, at 55°C with reduced operating current*
- 4) 1极/3极开关 / *1-pole/3-pole switchable*

低压高分断条形  
熔断器式  
隔离开关  
NH strip-  
type fuse-switch-  
disconnectors

低压高分断  
熔断器式  
隔离开关  
NH fuse-switch-  
disconnectors

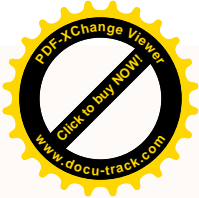
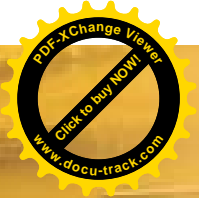
60mm母线系统  
CIOISIMIO®

附录  
Appendix



技术参数 / Technical data

型号/Type			SL3/1000-TM	SL3/1250			
额定值 <i>Ratings</i>	参照标准 DIN VDE 0636-2 <i>For NH fuse-links acc. to DIN VDE 0636-2</i>	尺码 <i>Size</i>	3	3			
	额定工作电压 <i>Rated operational voltage</i>	U <sub>e</sub> V	AC690	AC690			
	额定工作电流 <sup>1)</sup> <i>Rated operational current<sup>1)</sup></i>	I <sub>e</sub> A	1000	1250			
	带熔断器的约定发热电流 <sup>1)</sup> <i>Conv. free air thermal current with fuse-links<sup>1)</sup></i>	I <sub>th</sub> A	630	1250			
	带隔离刀片的约定发热电流 <sup>1)</sup> <i>Conv. free air thermal current with solid-links<sup>1)</sup></i>	I <sub>th</sub> A	1000	1600			
	额定频率 <i>Rated frequency</i>	– Hz	40-60	40-60			
	额定绝缘电压 <i>Rated insulation voltage</i>	U <sub>i</sub> V	AC1000	AC1000			
	在I <sub>th</sub> 时总功率损耗 (无熔断器) <i>Total power loss at I<sub>th</sub> (without fuse-links)</i>	P <sub>v</sub> W	275	215			
	额定冲击耐受电压 <i>Rated impulse withstand voltage</i>	U <sub>imp</sub> kV	12	12			
	使用类别 <i>Utilization category</i>	–	AC-21B (630A/690V) AC-22B (800A/500V) AC-22B (1000A/400V)	AC-21B (1250A/690V) AC-22B (1250A/500V) AC-22B (1250A/400V)			
	额定短路电流 <sup>2)</sup> <i>Rated conditional short-circuit current<sup>2)</sup></i>	– kA	110	80			
	额定短时耐受电流 <i>Rated short-time withstand current</i>	I <sub>cw</sub> kA	10/15/25 <sup>4)</sup>	20/25/46 <sup>4)</sup>			
	最大允许的功率损耗 <i>Max. permis. power loss per fuse-link</i>	P <sub>a</sub> W	51	48			
电缆接线夹 <i>Cable terminal</i>	扁型端子 <i>Flat terminal</i>	螺栓直径 <i>Bolt diameter</i>	–	–	2 x M12	3 x M12	
		电缆线径 <i>Cable lug (DIN 46 235)</i>	–	mm <sup>2</sup>	2x 300, 3 x 120	3 x 300, 4 x 185	
		扁平铜排 <i>Flat bar</i>	–	mm	80 x 10	–	
		安装扭矩 <i>Tightening torque</i>	M <sub>a</sub>	Nm	35 - 40	35 - 40	
	接线夹 <i>Clamp</i>	电缆线径 <i>Clamping cross-section</i>	–	mm <sup>2</sup>	–	–	–
		安装扭矩 <i>Tightening torque</i>	–	Nm	–	–	–
	接线夹 <i>Clamp</i>	电缆线径 <i>Clamping cross-section</i>	–	mm <sup>2</sup>	–	–	–
		安装扭矩 <i>Tightening torque</i>	–	Nm	–	–	–



型号/Type				SL3/1000-TM	SL3/1250	
防护等级 <i>Degree of protection</i>	开关面板侧, 设备 已用端子和侧盖板 安装 <i>Front side, device fitted with clamp and lateral covers</i>	工作条件 <i>Operating condition</i>	-	-	IP30	IP30
		断开状态 <i>Switching element open</i>	-	-	IP10	IP10

工作条件 <i>Operating conditions</i>	环境温度 <sup>2)</sup> / <i>Ambient temperature</i> <sup>3)</sup>	T <sub>amb</sub>	°C	-25 到 / to +55
	额定工作方式 / <i>Rated operating mode</i>	-	-	连续工作 / <i>Uninterrupted duty</i>
	操作 / <i>Actuation</i>	-	-	独立的手动操作 <i>Dependent manual operation</i>
	安装位置 / <i>Mounting position</i>	-	-	垂直, 水平 <i>Vertical, horizontal</i>
	海拔 / <i>Altitude</i>	-	m	到 2000 / <i>Up to 2000</i>
	污染等级 / <i>Pollution degree</i>	-	-	3
	过压等级 / <i>Overvoltage category</i>	-	-	IV

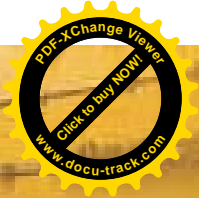
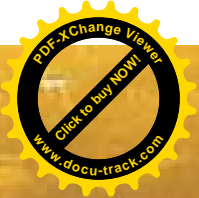
- 1) 当需要将多个开关安装于同一开关柜中时, 请根据EN 60439-1标准考虑开关的额定分散系数。  
*In case of mounting of several units in low voltage switchgear-combinations, please consider rated diversity factors acc. to EN 60439-1.*
- 2) 型式试验在AC420V, 使用gG特性低压熔断器630A/500V和在AC725V, 使用gG特性低压熔断器500A/690V  
*Type tested at AC420V with LV-HRC-fuse-links 630A/500V characteristic gG, at AC725V with LV-HRC-fuse-links 500A/690V characteristic gG.*
- 3) 35° C为正常使用温度, 65° C时需降低额定工作电流。 / 35°C Normal temperature, at 55°C with reduced operating current
- 4) 1极/3极开关/附加联锁 / 1-pole/3-pole switchable/with additional interlock

低压高分断条形  
熔断器式  
隔离开关  
NH strip-  
type fuse-switch-  
disconnectors

低压高分断  
熔断器式  
隔离开关  
NH fuse-switch-  
disconnectors

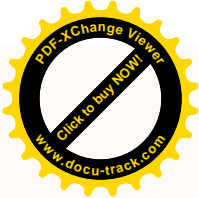
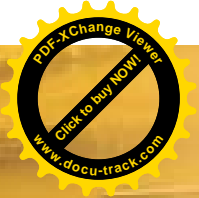
60mm母线系统  
CIOISIMIO®

附录  
Appendix



技术参数 / *Technical data*

型号/Type			SL3/1600-TM	SL3/2000-TM			
电气参数 <i>Ratings</i>	参照标准 DIN VDE 0636-2 <i>For NH fuse-links acc. to DIN VDE 0636-2</i>	尺码 <i>Size</i>	3	3			
	额定工作电压 <i>Rated operational voltage</i>	$U_e$ V	AC690	AC400			
	额定工作电流 <sup>1)</sup> <i>Rated operational current<sup>1)</sup></i>	$I_e$ A	1600	2000			
	使用熔断器时约定发热电流 <sup>1)</sup> <i>Conv. free air thermal current with fuse-links<sup>1)</sup></i>	$I_{th}$ A	1250	gG 1600 / gTr 1444			
	使用隔离刀片时约定发热电流 <sup>1)</sup> <i>Conv. free air thermal current with solid-links<sup>1)</sup></i>	$I_{th}$ A	1600	2000			
	额定频率 <i>Rated frequency</i>	– Hz	40-60	40-60			
	额定绝缘电压 <i>Rated insulation voltage</i>	$U_i$ V	AC1000	AC690			
	约定发热电流损耗 (不安装熔断器) <i>Total power loss at Ith (without fuse-links)</i>	$P_v$ W	350	375			
	额定冲击耐受电压 <i>Rated impulse withstand voltage</i>	$U_{imp}$ kV	12	8			
	使用类别 <i>Utilization category</i>	–	AC-21B (1250A/690V) AC-22B (1600A/500V) AC-22B (1600A/400V)	AC-22B (2000A/400V)			
	额定短路电流 <sup>2)</sup> <i>Rated conditional short-circuit current<sup>2)</sup></i>	– kA	80	50			
	额定短时耐受电流 <i>Rated short-time withstand current</i>	$I_{cw}$ kA	20/25/46 <sup>4)</sup>	20/25/46 <sup>4)</sup>			
	单位熔断器最大允许损耗功率 <i>Max. permis. power loss per fuse-link</i>	$P_a$ W	48	51			
接线端子 <i>Cable terminal</i>	扁平端子 <i>Flat terminal</i>	螺栓直径 <i>Bolt diameter</i>	–	–	3 x M12	4 x M12	
		电缆线径 <i>Cable lug (DIN 46 235)</i>	–	mm <sup>2</sup>	3 x 300, 4 x 185	4 x 300	
		扁平铜排 <i>Flat bar</i>	–	mm	–	–	
		安装扭矩 <i>Tightening torque</i>	$M_a$	Nm	35 - 40	35 - 40	
	接线夹 <i>Clamp</i>	电缆线径 <i>Clamping cross-section</i>	–	mm <sup>2</sup>	–	–	–
		安装扭矩 <i>Tightening torque</i>	–	Nm	–	–	–
	接线夹 <i>Clamp</i>	电缆线径 <i>Clamping cross-section</i>	–	mm <sup>2</sup>	–	–	–
		安装扭矩 <i>Tightening torque</i>	–	Nm	–	–	–



型号/Type				SL3/1600-TM	SL3/2000-TM	
防护等级 <i>Degree of protection</i>	开关面板侧, 设备 已用端子和侧盖板 安装 <i>Front side, device fitted with clamp and lateral covers</i>	工作状态 <i>Operating condition</i>	-	-	IP30	IP30
		断开状态 <i>Switching element open</i>	-	-	IP10	IP10

工作条件 <i>Operating conditions</i>	环境温度 <sup>3)</sup> / <i>Ambient temperature</i> <sup>3)</sup>	T <sub>amb</sub>	°C	-25 到 +55
	额定工作方式 / <i>Rated operating mode</i>	-	-	不间断工作制 / <i>Uninterrupted duty</i>
	操作方式 / <i>Actuation</i>	-	-	有关人力操作 <i>Dependent manual operation</i>
	安装位置 / <i>Mounting position</i>	-	-	垂直, 水平 <i>Vertical, horizontal</i>
	海拔高度 / <i>Altitude</i>	-	m	可达 2000 / <i>Up to 2000</i>
	污染等级 / <i>Pollution degree</i>	-	-	3
	过压等级 / <i>Overvoltage category</i>	-	-	IV

- 1) 当需要将多个开关安装于同一开关柜中时, 请根据EN 60439-1标准考虑开关的额定分散系数。  
*In case of mounting of several units in low voltage switchgear-combinations, please consider rated diversity factors acc. to EN 60439-1.*
- 2) 请使用gG特性的低压熔断器进行型式试验。 / *Type tested with LV-HRC-fuse-links characteristic gG.*
- 3) 35° C为正常使用温度, 55° C时需降低额定工作电流。 / *35°C Normal temperature, at 55°C with reduced operating current*
- 4) 1极/3极开关/附加联锁 / *1-pole/3-pole switchable/with additional interlock*

低压高分断条形  
熔断器式  
隔离开关  
NH strip-  
type fuse-switch-  
disconnectors

低压高分断  
熔断器式  
隔离开关  
NH fuse-switch-  
disconnectors

60mm母线系统  
CIOISIMIO®

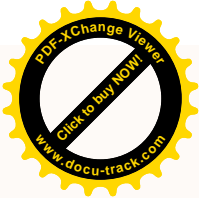
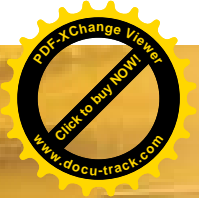
附录  
Appendix





技术参数 / *Technical data*

型号/Type			SLTL4a/1250		SLTL4a/1250-147mm			
电气参数 <i>Ratings</i>	参照标准 DIN VDE 0636-2 <i>For NH fuse-links acc. to DIN VDE 0636-2</i>	尺码 <i>Size</i>	4a		4a			
	额定工作电压 <i>Rated operational voltage</i>	U <sub>e</sub> V	AC690		AC690			
	额定工作电流 <sup>1)</sup> <i>Rated operational current<sup>1)</sup></i>	I <sub>e</sub> A	1250		1250			
	使用熔断器时约定发热电流 <sup>1)</sup> <i>Conv. free air thermal current with fuse-links<sup>1)</sup></i>	I <sub>th</sub> A	1250		1250			
	使用隔离刀片时约定发热电流 <sup>1)</sup> <i>Conv. free air thermal current with solid-links<sup>1)</sup></i>	I <sub>th</sub> A	1600		1600			
	额定频率 <i>Rated frequency</i>	- Hz	40-60		40-60			
	额定绝缘电压 <i>Rated insulation voltage</i>	U <sub>i</sub> V	AC800		AC1000			
	约定发热电流损耗 (不安装熔断器) <i>Total power loss at I<sub>th</sub> (without fuse-links)</i>	P <sub>v</sub> W	190		315			
	额定冲击耐受电压 <i>Rated impulse withstand voltage</i>	U <sub>imp</sub> kV	8		12			
	使用类别 <i>Utilization category</i>	-	AC-21B (1250A/690V) AC-22B (1250A/500V) AC-22B (1250A/400V)		AC-21B (1250A/690V) AC-22B (1250A/500V) AC-22B (1250A/400V)			
	额定短路电流 <sup>2)</sup> <i>Rated conditional short-circuit current<sup>2)</sup></i>	- kA	80		50			
	额定短时耐受电流 <i>Rated short-time withstand current</i>	I <sub>cw</sub> kA	35		-			
	单位熔断器最大允许损耗功率 <i>Max. permis. power loss per fuse-link</i>	P <sub>a</sub> W	110		110			
接线端子 <i>Cable terminal</i>	扁平端子 <i>Flat terminal</i>	螺栓直径 <i>Bolt diameter</i>	-	-	1 x M16		1 x M16	
		电缆线径 <i>Cable lug (DIN 46 235)</i>	-	mm <sup>2</sup>	400		400	
		扁平铜排 <i>Flat bar</i>	-	mm	max. 80x30		max. 80x30	
		安装扭矩 <i>Tightening torque</i>	Ma	Nm	50 - 60		50 - 60	
	接线夹 <i>Clamp</i>	电缆线径 <i>Clamping cross-section</i>	-	mm <sup>2</sup>	KV- 2HG/2/300/ AF40-50	2 x (95-300)	KV- 2HG/2/300/ AF40-50	2 x (95-300)
		安装扭矩 <i>Tightening torque</i>	-	Nm		40		40



型号/Type					SLTL4a/1250		SLTL4a/1250-147mm	
接线端子 <i>Cable terminal</i>	接线夹 <i>Clamp</i>	电缆线径 <i>Clamping cross-section</i>	-	mm <sup>2</sup>	K3G/3/ AF40-50	3 x (95-150)	K3G/3/ AF40-50	3 x (95-150)
		安装扭矩 <i>Tightening torque</i>	-	Nm		50		50
	接线夹 <i>Clamp</i>	电缆线径 <i>Clamping cross-section</i>	-	mm <sup>2</sup>	K3G/4/ AF40-50	4 x (95-150)	K3G/4/ AF40-50	4 x (95-150)
		安装扭矩 <i>Tightening torque</i>	-	Nm		50		50

防护等级 <i>Degree of protection</i>	开关面板侧, 设备 已用端子和侧盖板 安装 <i>Front side, device fitted with clamp and lateral covers</i>	工作条件 <i>Operating condition</i>	-	-	IP20	IP20
-------------------------------------	---	------------------------------------	---	---	------	------

工作条件 <i>Operating conditions</i>	环境温度 <sup>3)</sup> / <i>Ambient temperature<sup>3)</sup></i>	T <sub>amb</sub>	°C	-25 到 / to +55
	额定工作方式 / <i>Rated operating mode</i>	-	-	不间断工作制 / <i>Uninterrupted duty</i>
	操作方式 / <i>Actuation</i>	-	-	有关人力操作 <i>Dependent manual operation</i>
	安装位置 / <i>Mounting position</i>	-	-	垂直, 水平 <i>Vertical, horizontal</i>
	海拔高度 / <i>Altitude</i>	-	m	可达 2000 / <i>Up to 2000</i>
	污染等级 / <i>Pollution degree</i>	-	-	3
过压等级 / <i>Overvoltage category</i>	-	-	IV	

1) 当需要将多个开关安装于同一开关柜中时, 请根据EN 60439-1标准考虑开关的额定分散系数。  
*In case of mounting of several units in low voltage switchgear-combinations, please consider rated diversity factors acc. to EN 60439-1.*  
 2) 请使用gG特性的低压熔断器进行型式试验。 / *Type tested with LV-HRC-fuse-links characteristic gG.*  
 3) 35° C为正常使用温度, 55° C时需降低额定工作电流。 / *35°C Normal temperature, at 55°C with reduced operating current*

低压高分断条形  
熔断器式  
隔离开关  
NH strip-  
type fuse-switch-  
disconnectors

低压高分断  
熔断器式  
隔离开关  
NH fuse-switch-  
disconnectors

60mm母线系统  
CIOISIMIO®

附录  
Appendix



电子式熔断器状态监控装置 PLFuse ES00技术参数  
**Technical data for electric fuse monitor PLFuse ES00**  
 AC 400-690C, 3相

型号/Type				
电气参数 Electrical characteristics	额定电压 AC/Nominal voltage AC	$U_e$	V	360-760, 3-phasisg
	最大功率/max. power input	$P_V$	VA	1,5
	工作频率/Rated frequency	-	Hz	50/60
	内阻/Internal resistance	$R_i$	MΩ	> 2
	灵敏度临界电压/Response threshold	$U_o$	V	> 5



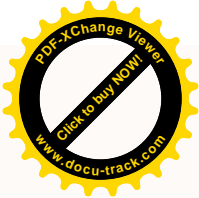
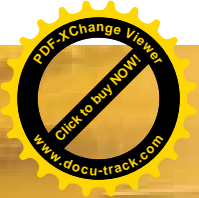
平行安装熔断器不可单独检测  
 No single detection of parallel connected fuses!



型号/Type				
继电器 Relay	动作时间/Tripping time	t	ms	> 500
	接触方式/Relay contacts	-	-	1 闭合/make/1 断开/break
	负荷能力 AC/Strength AC	-	-	AC15: 250V/1,5A
	负荷能力 DC/Strength DC	-	-	DC13: 24V/2A; 250V/0,27A
	工作原理/Operational principle	-	-	工作电流/Energized circuit

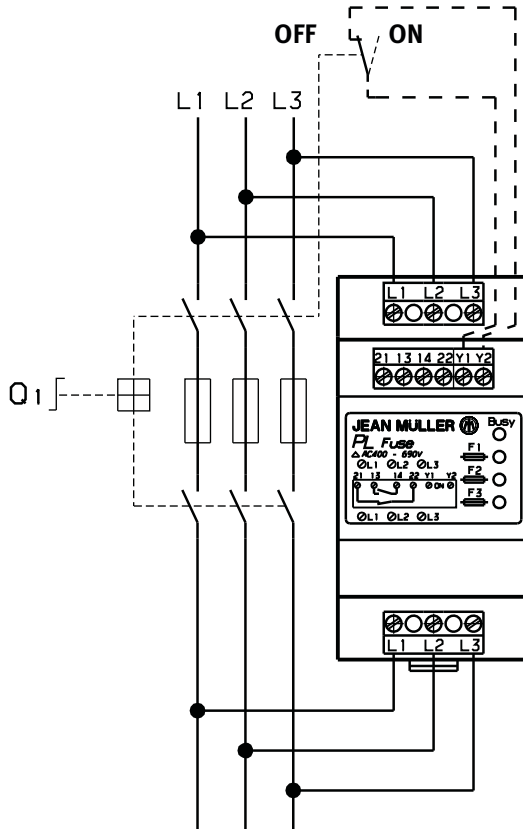
型号/Type					
电磁兼容性 EMC	IEC 61000-4-5	浪涌/Surge 1,2/50s	$U_{L-L}$	kV	2
	IEC 61000-4-4	顺势干涉 Burst	$U_{L-L}$	kV	2

型号/Type						
技术参数 General data	温度范围/Temperature range		-	C°	-10 到 +55	
	安装位置/Installation position		-	-	按需/as required	
	防护等级/Protection class		-	-	IP 20	
	指示器 Indication	操作指示器/Operation		-	-	1 LED (绿/green)
		故障指示器/Fault indication		-	-	3 LED (F1, F2, F3 红/red)
	接线方式 Connection	螺丝端子 Screw terminals		-	-	-
		刚性连接/rigid		-	mm <sup>2</sup>	0,14-2,5
		柔性连接/flexible		-	mm <sup>2</sup>	0,14-1,5
	安装扭矩/Tightening torque		-	Nm	0,5-0,6	
	安装方式/Mounting		-	-	支撑轨道 (EN 50022)	
	-	-	-	-	安装导轨 (EN 50022)	
	尺寸 宽 x 高 x 长/Dimensions W x H x D		-	mm	48 x 96 x 92	
	重量/Weight		-	kg	0,2	



接线图 ES00/  
Wiring diagram PLFuse ES00

接线图/Monitoring



低电压高分断条形  
熔断器式  
隔离开关  
NH strip-  
type fuse-switch-  
disconnectors

低电压高分断  
熔断器式  
隔离开关  
NH fuse-switch-  
disconnectors

60mm母线系统  
CIOISIMIO®

状态指示器描述/Description of status displays

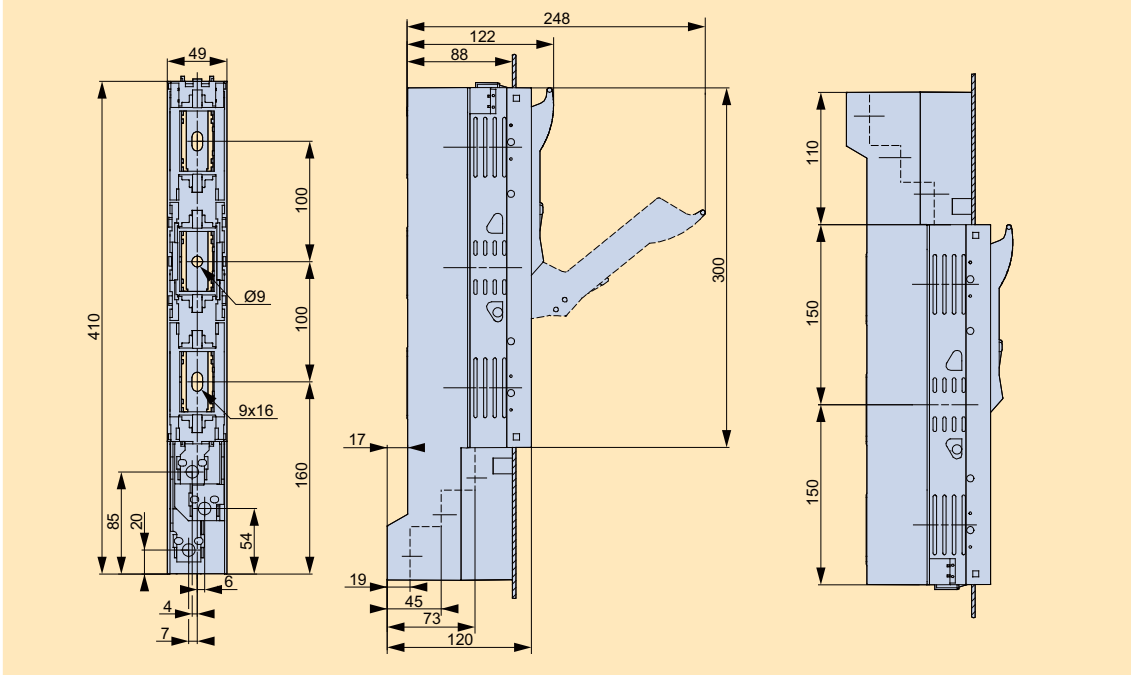
工作状态 Operating rate	LED				继电器 Relay	
	绿/green	红/red	红/red	红/red	闭合 /make 13-14	断开 /break 21-22
	忙绿	F1	F2	F3		
断开 no line voltage	关/off	关/off	关/off	关/off	开 open	关 closed
熔断器 1-3正常, 1-3相正常 fuse 1-3 o.k., phase 1-3 o.k.	开/on	关/off	关/off	关/off	开 open	关 closed
熔断器 2熔断, 1-3相正常 fuse 2 defekt, phase 1-3 o.k.	开/on	关/off	开/on	关/off	关 closed	开 open

附录  
Appendix

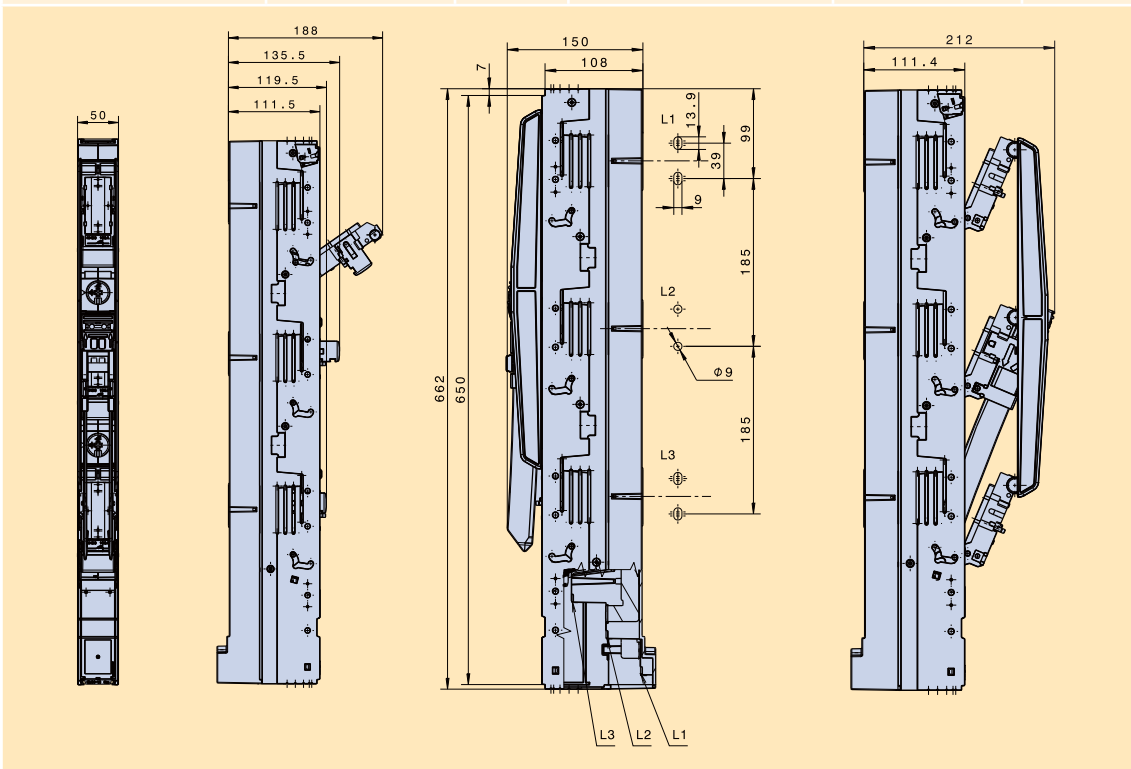


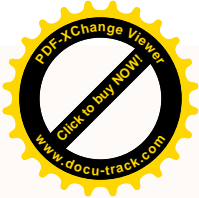
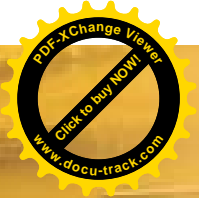
### 尺寸 / Dimensions

型号/Type	订货号/Article-No.	页码/Page	型号/Type	订货号/Article-No.	页码/Page
SL00-3X3/100/F	L5051001	SL-13	SL00-3X3/100/F/HA/W/...	L5351001	SL-29
SL00-3X3/100/F70	L5057002	SL-13	SL00-3X3/100/F70/HA/W/...	L5357002	SL-29
SL00-3X3/100/KU00	L5056003	SL-13	SL00-3X3/100/KU00/HA/W/...	L5356003	SL-29
SL00-3X3/100/KM00	L5059004	SL-13	-	-	-

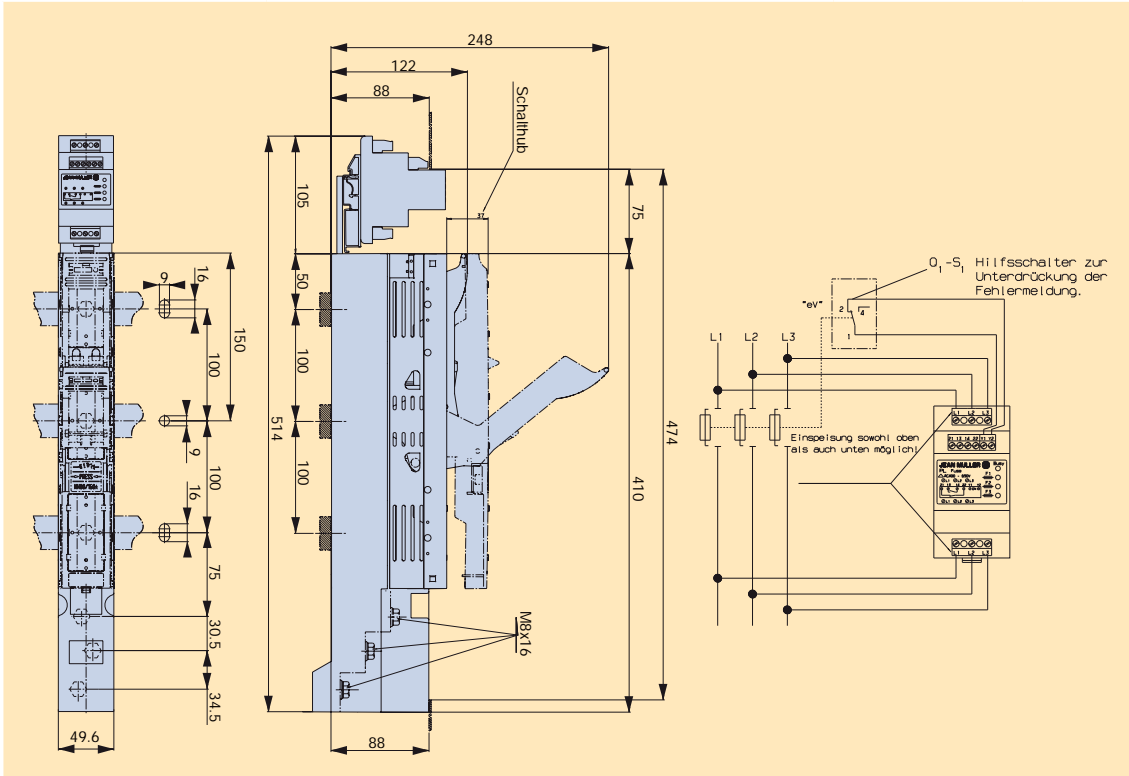


型号/Type	订货号/Article-No.	页码/Page	型号/Type	订货号/Article-No.	页码/Page
SL00-3X/185/F	L5461001	SL-15	SL00-3X3/185/F	L5061001	SL-15
SL00-3X/185/KU00	L5466002	SL-15	SL00-3X3/185/KU00	L5066002	SL-15





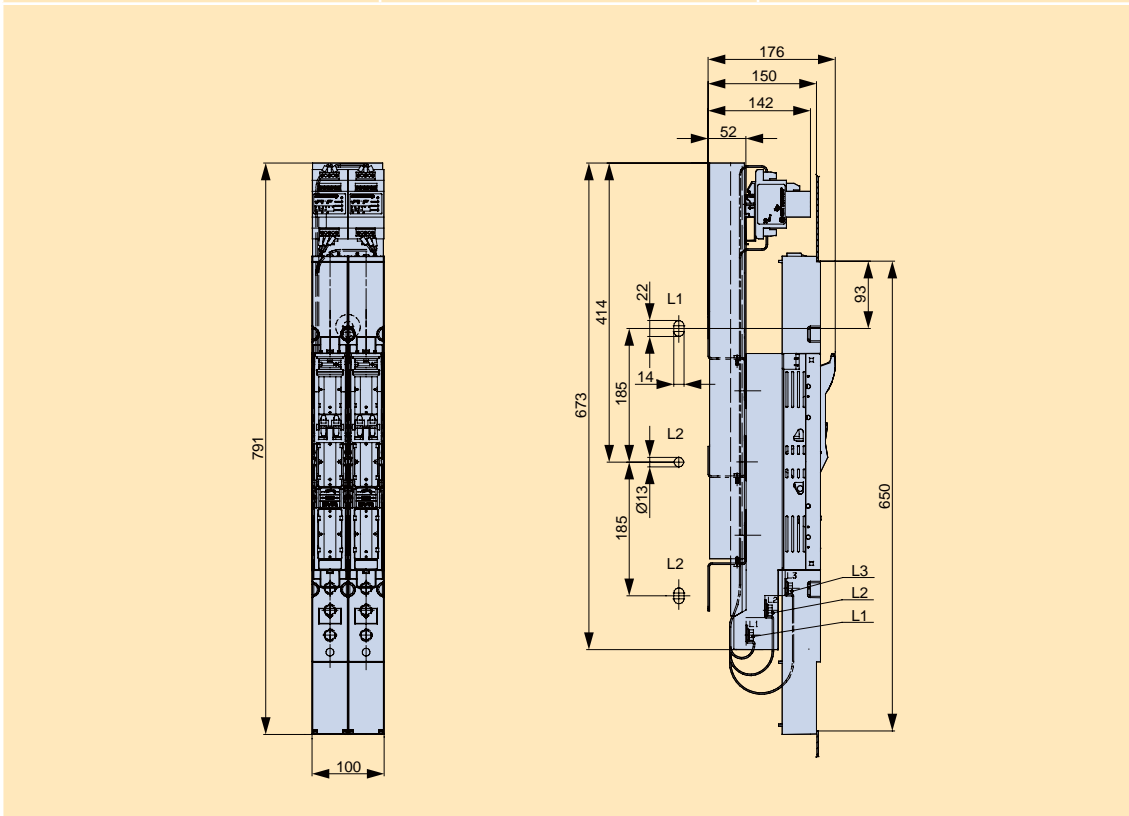
型号/Type	订货号/Article-No.	页码/Page	型号/Type	订货号/Article-No.	页码/Page
SL00-3X3/100/F/HA/ES00	L5051700	SL-13	SL00-3X3/100/F/HA/ES00/W	L5351707	SL-29



低压高分断条形  
熔断器式  
隔离开关  
NH strip-  
type fuse-switch-  
disconnectors

低压高分断  
熔断器式  
隔离开关  
NH fuse-switch-  
disconnectors

型号/Type	订货号/Article-No.	页码/Page
2xSL00-3X3/100/AL185/ES00	L5051720	SL-13



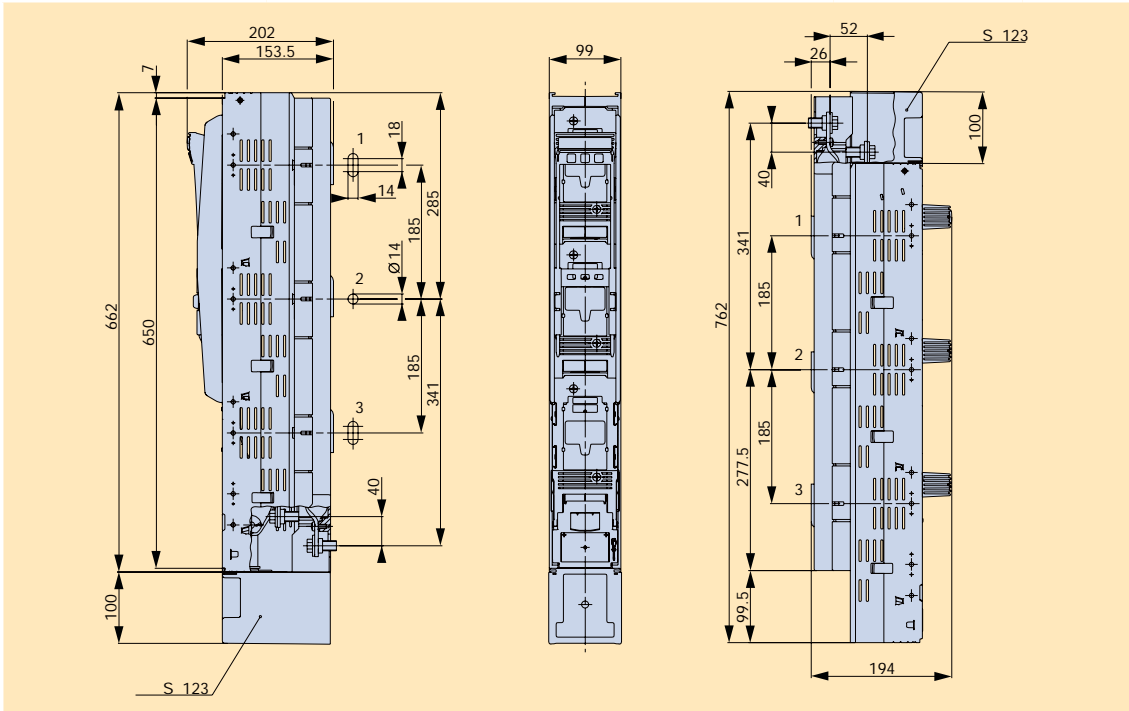
60mm母线系统  
CIOISIMIO®

附录  
Appendix

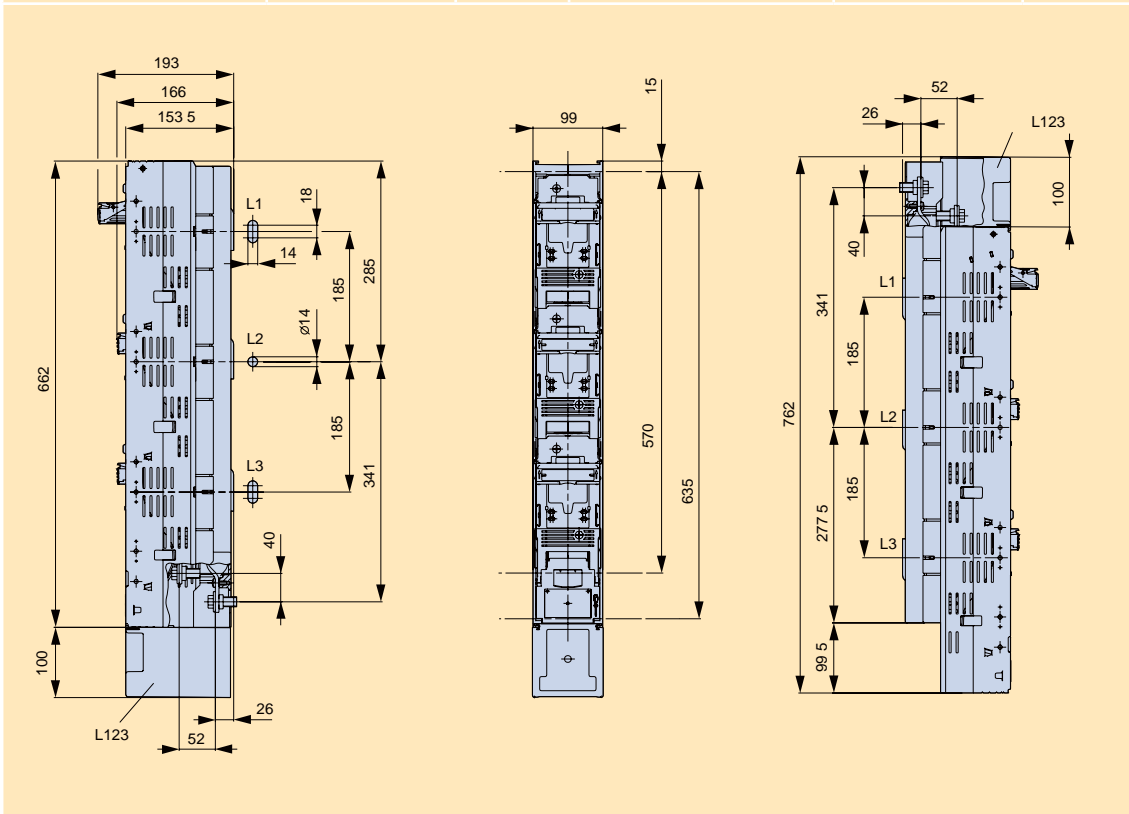


尺寸 / Dimensions

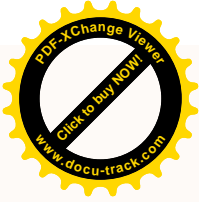
型号/Type	订货号 / Article-No.	页码 / Page	型号/Type	Artikel-Nr./Article-No.	Seite/Page
SL1(G)-3X/... (W)	L19...	L12...	SL-17,SL-19	SL2-3X3/... (W)	L20... L23... SL-20
SL1-3X3/... (W)	L10...	L13...	SL-20	SL3-3X/... (W)	L39... L32... SL-19
SL2(G)-3X/... (W)	L29...	L22...	SL-17,SL-19	SL3-3X3/... (W)	L30... L33... SL-20



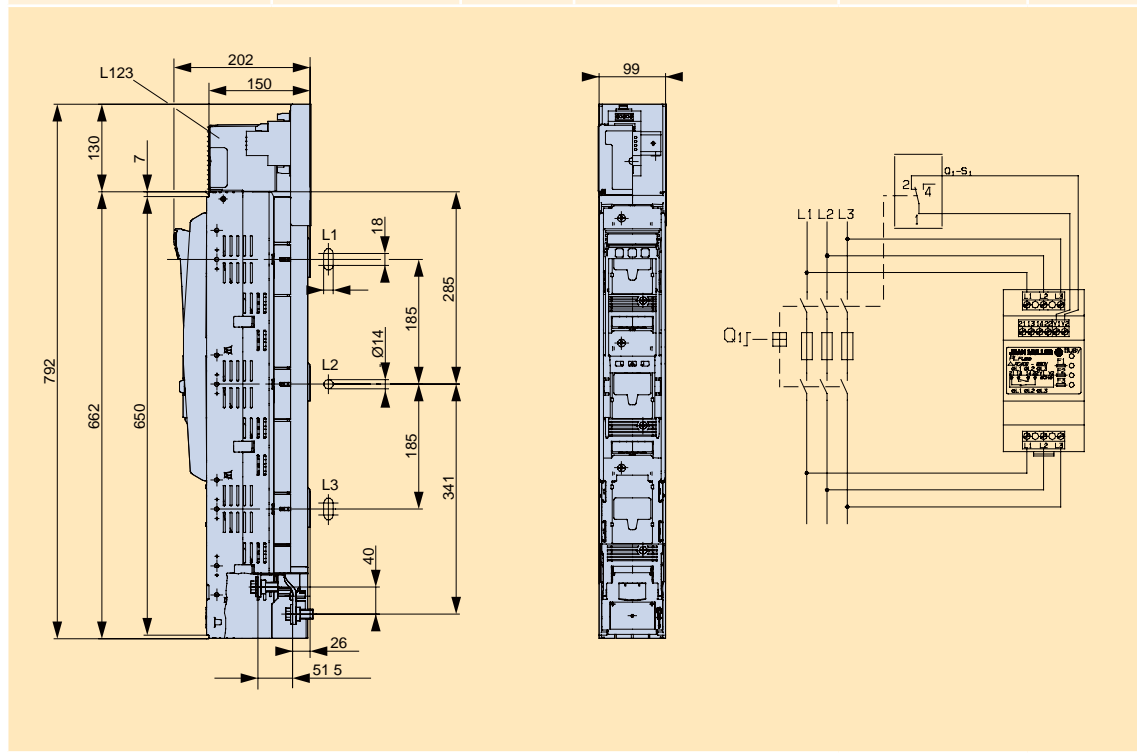
型号/Type	订货号 / Article-No.	页码 / Page	型号/Type	订货号 / Article-No.	页码 / Page
SL2(G)-3X/.../GV	L29...	SL-17, SL-19	SL3-3X/.../GV	L3931005	SL-19



SL-60



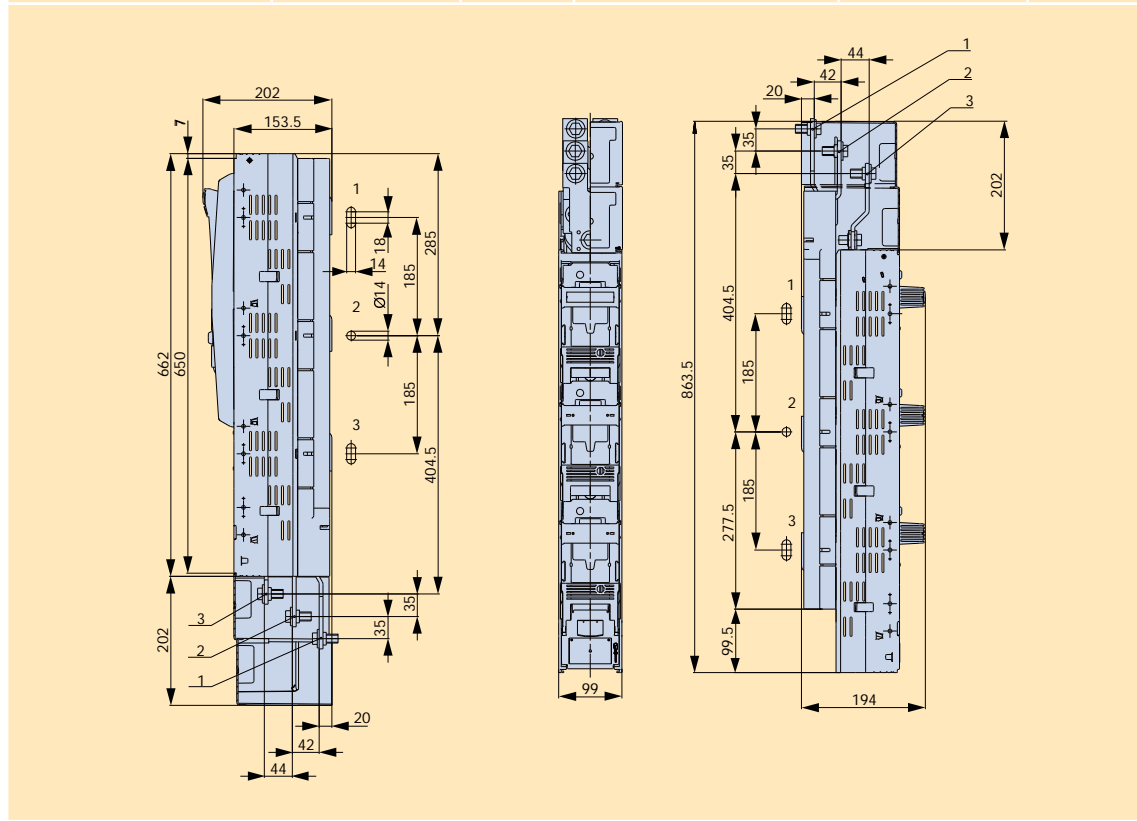
型号/Type	订货号/Article-No.	页码/Page	型号/Type	订货号/Article-No.	页码/Page
SL1-3X3/3A/ES00	L1031720	SL-20	SL3-3X3/3A/ES00	L3031720	SL-20
SL2-3X3/3A/ES00	L2031720	SL-20			



低压高分断条形  
熔断器式  
隔离开关  
NH strip-  
type fuse-switch-  
disconnectors

低压高分断  
熔断器式  
隔离开关  
NH fuse-switch-  
disconnectors

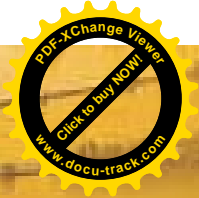
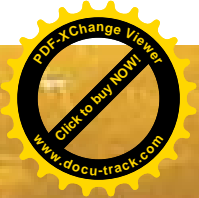
型号/Type	订货号/Article-No.	页码/Page	型号/Type	订货号/Article-No.	页码/Page
SLTL3-3X/1000/HA	L3921300	SL-21	SLTL3-3X3/1000/HA	L3021300	SL-21



60mm母线系统  
CIOISMIO®

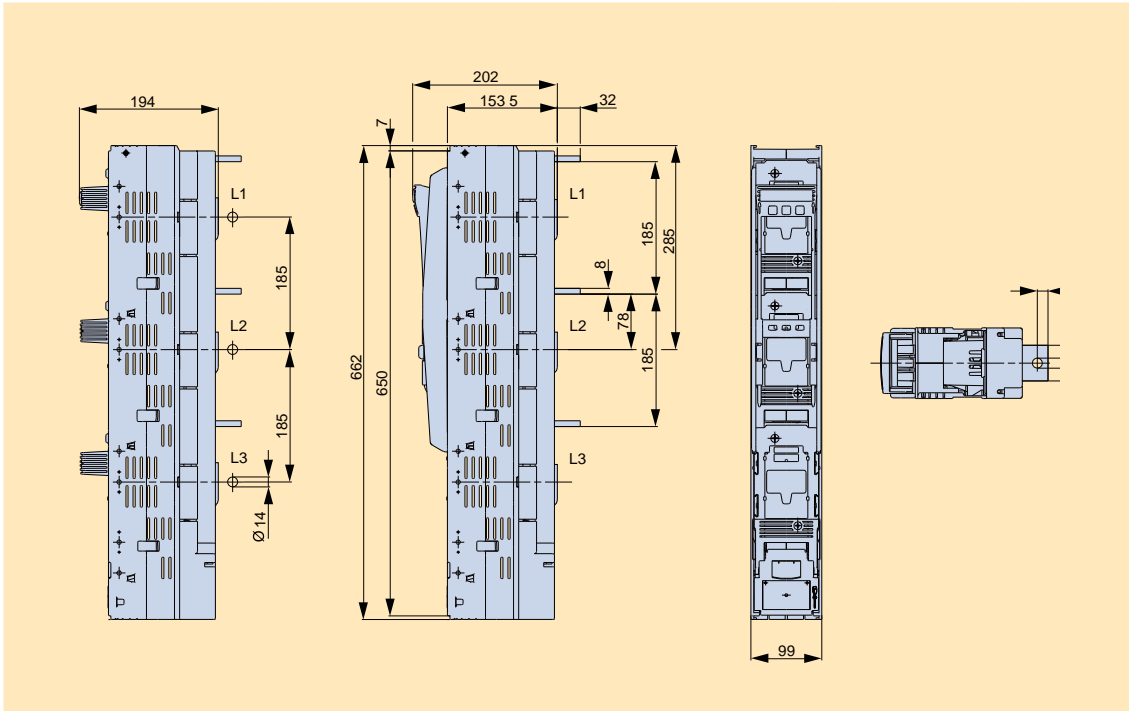
附录  
Appendix



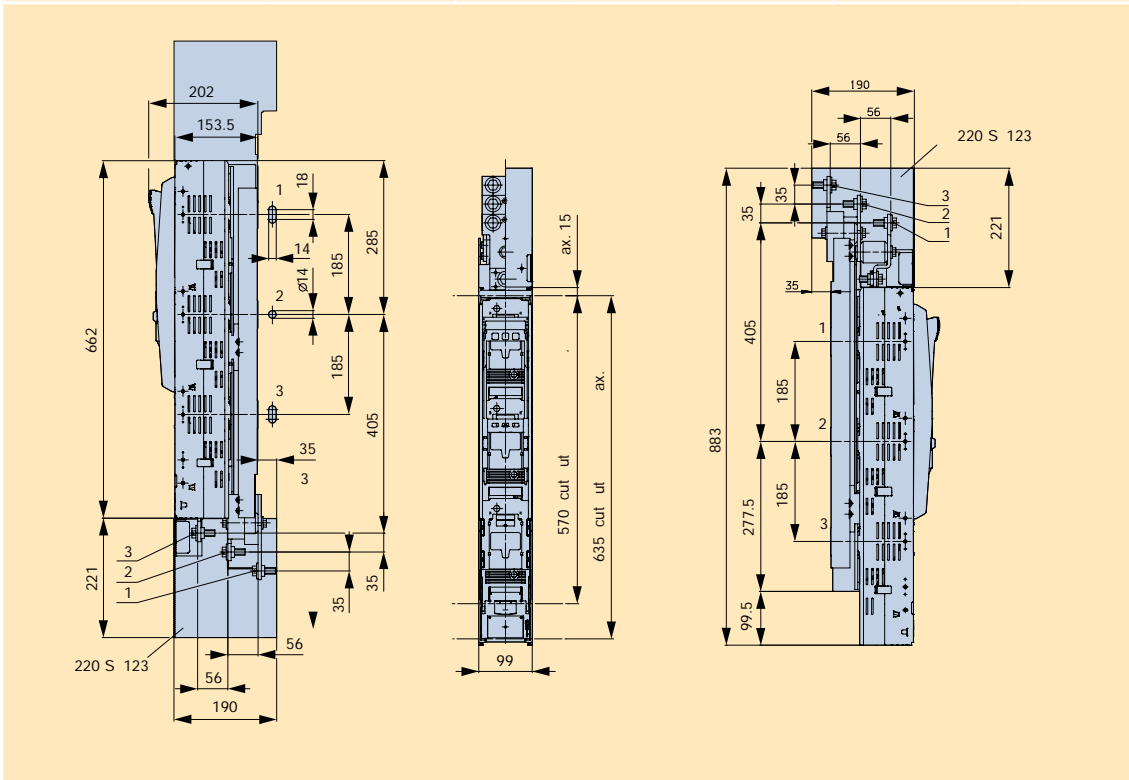


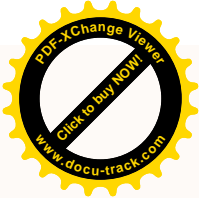
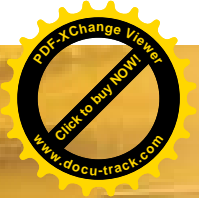
### 尺寸 / Dimensions

型号/Type	订货号/Article-No.	页码/Page	型号/Type	订货号/Article-No.	页码/Page
SL3-3X/1000/ARO/TM3	L3920303	SL-21	SL3-3X3/910/ARO	L3020203	SL-23
SL3-3X3/1000/ARO/TM3	L3020303	SL-21	SL3-3X/910+/ARO	L392020399	SL-23
SL3-3X/910/ARO	L3920203	SL-23	SL3-3X3/910+ARO	L302020399	SL-23

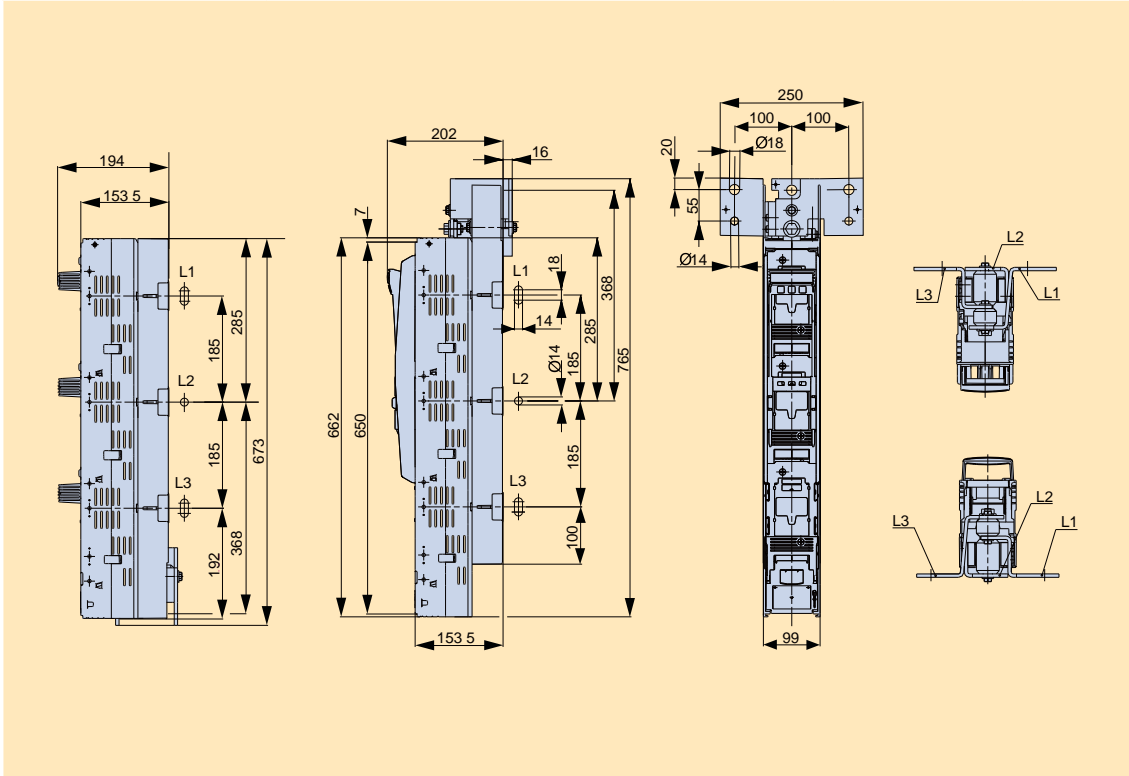


型号/Type	订货号/Article-No.	页码/Page	型号/Type	订货号/Article-No.	页码/Page
SL3-3X/910/HA	L3921200	SL-23	SL3-3X/910+/HA	L392120099	SL-23
SL3-3X3/910/HA	L3021200	SL-23	SL3-3X3/910+/HA	L302120099	SL-23





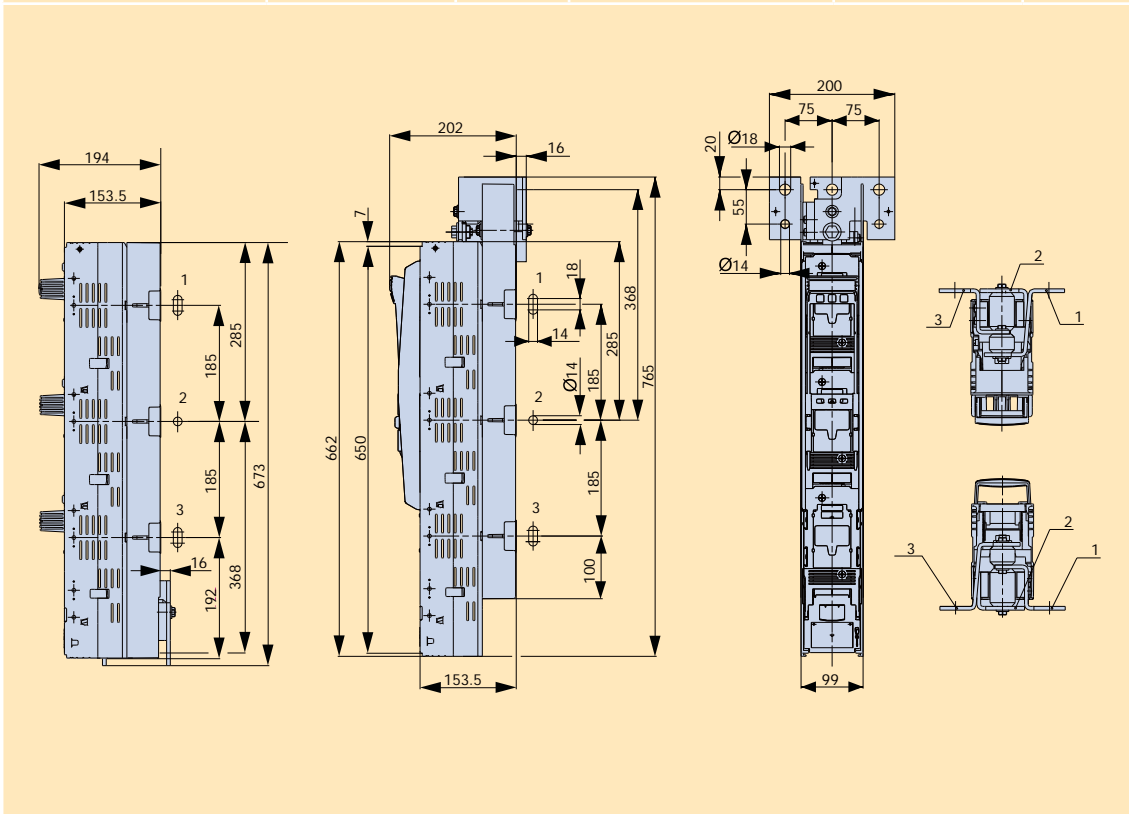
型号/Type	订货号/Article-No.	页码/Page	型号/Type	订货号/Article-No.	页码/Page
SL3-3X/910/AO/AU-100	L3920208	SL-23	SL3-3X3/910/AO/AU-100	L3020208	SL-23



低压高分断条形  
熔断器式  
隔离开关  
NH strip-  
type fuse-switch-  
disconnectors

低压高分断  
熔断器式  
隔离开关  
NH fuse-switch-  
disconnectors

型号/Type	订货号/Article-No.	页码/Page	型号/Type	订货号/Article-No.	页码/Page
SL3-3X/910/AO/AU-75	L3920210	SL-23	SL3-3X3/910/AO/AU-75	L3020210	SL-23



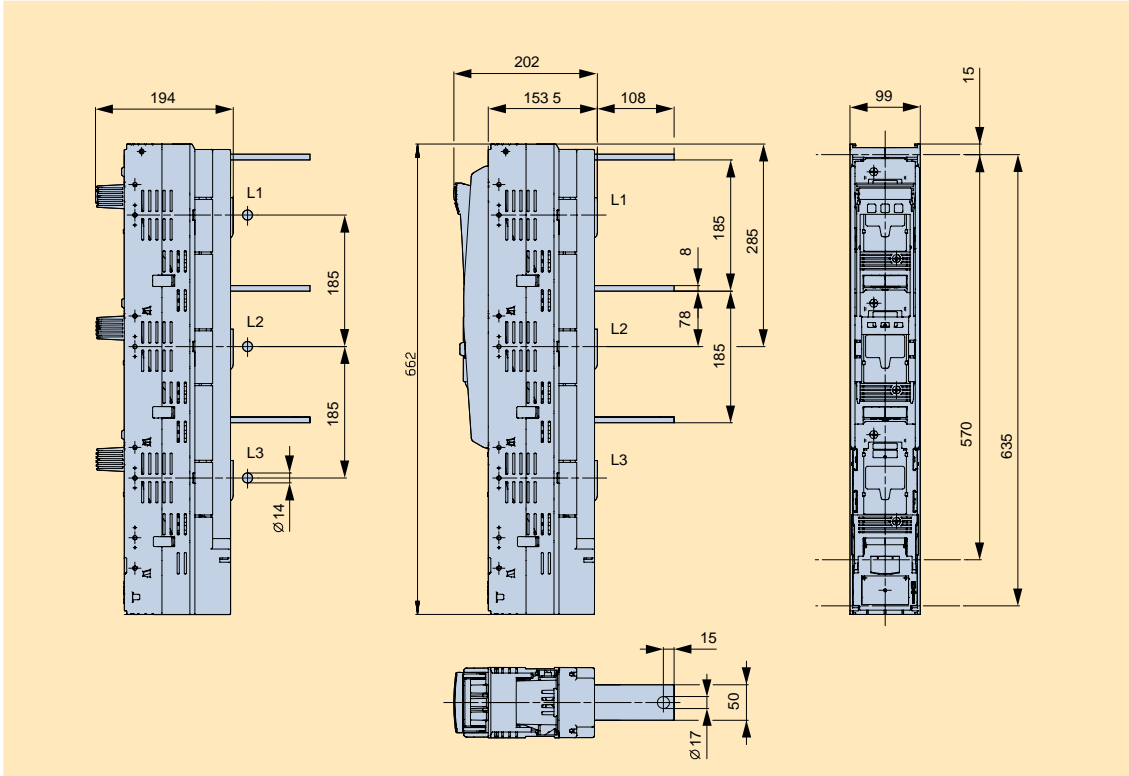
60mm母线系统  
CIOISIMIO®

附录  
Appendix



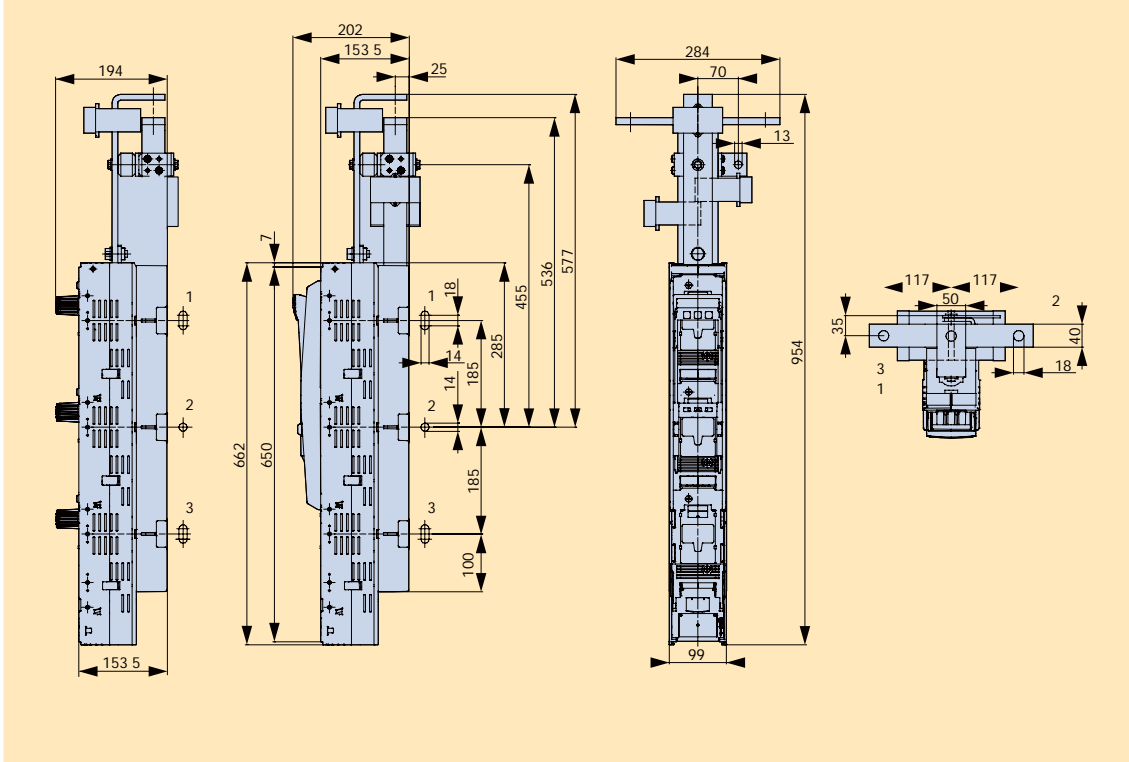
### 尺寸 / Dimensions

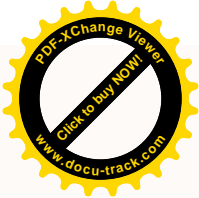
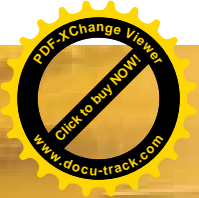
型号/Type	订货号/Article-No.	页码/Page	型号/Type	订货号/Article-No.	页码/Page
SL3-3X/910/ARO/110	L3920206	SL-23	SL3-3X3/910/ARO/110	L3020218	SL-23



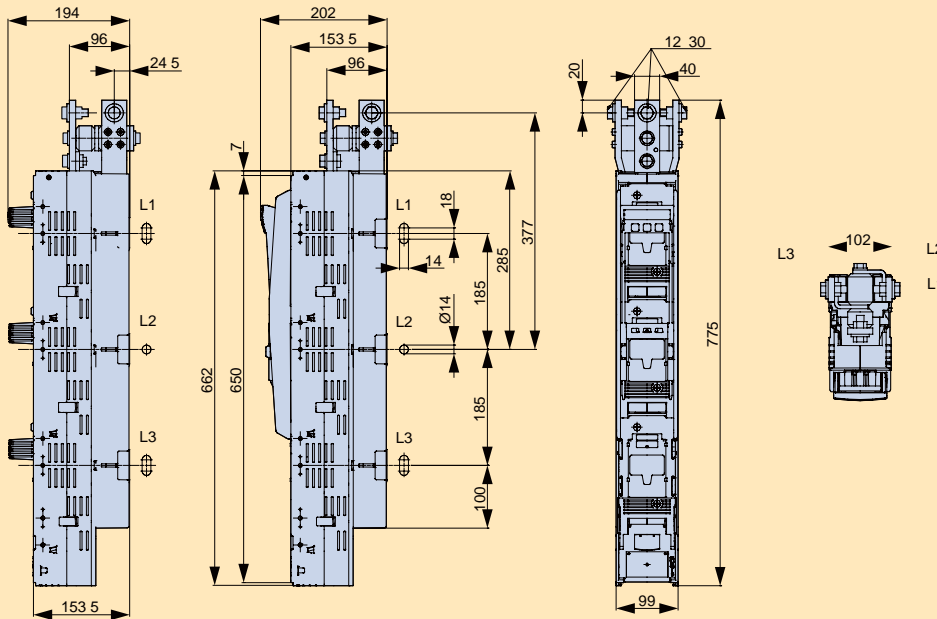
型号/Type	订货号/Article-No.	页码/Page	型号/Type	订货号/Article-No.	页码/Page
SL3-3X/910/AORL	L3920220	SL-23	SL3-3X3/910/AORL	L3020216	SL-23

适用于变流器型号WSD50/  
For current-transformer type WSD50.





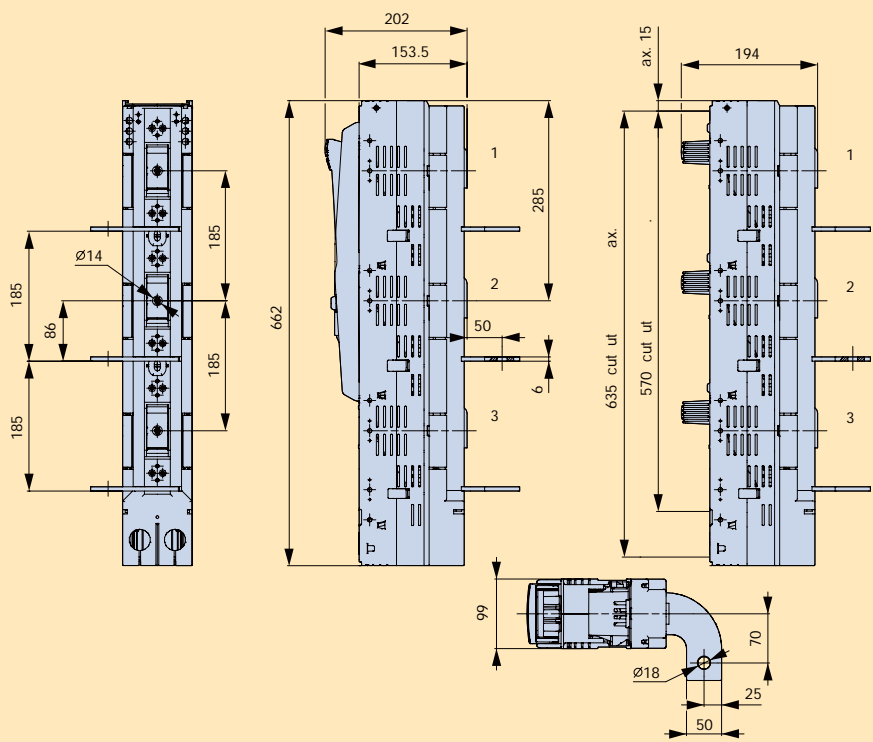
型号/Type	订货号/Article-No.	页码/Page
SL3-3X3/910/A0-102	L3021229	SL-23



低压高分断条形  
熔断器式  
隔离开关  
NH strip-  
type fuse-switch-  
disconnectors

低压高分断  
熔断器式  
隔离开关  
NH fuse-switch-  
disconnectors

型号/Type	订货号/Article-No.	页码/Page	型号/Type	订货号/Article-No.	页码/Page
SL3-3X/910/ARUS	L3920204	SL-23	SL3-3X3/910/ARUS	L3020204	SL-23



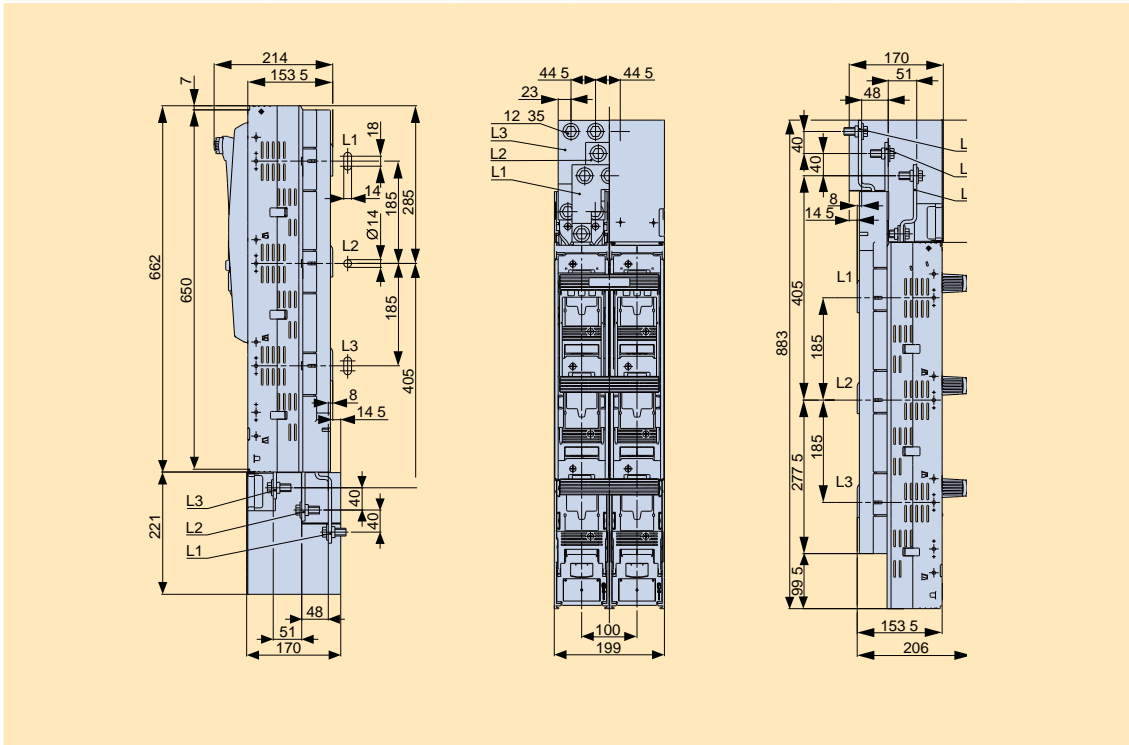
60mm母线系统  
CIOISIMIO®

附录  
Appendix

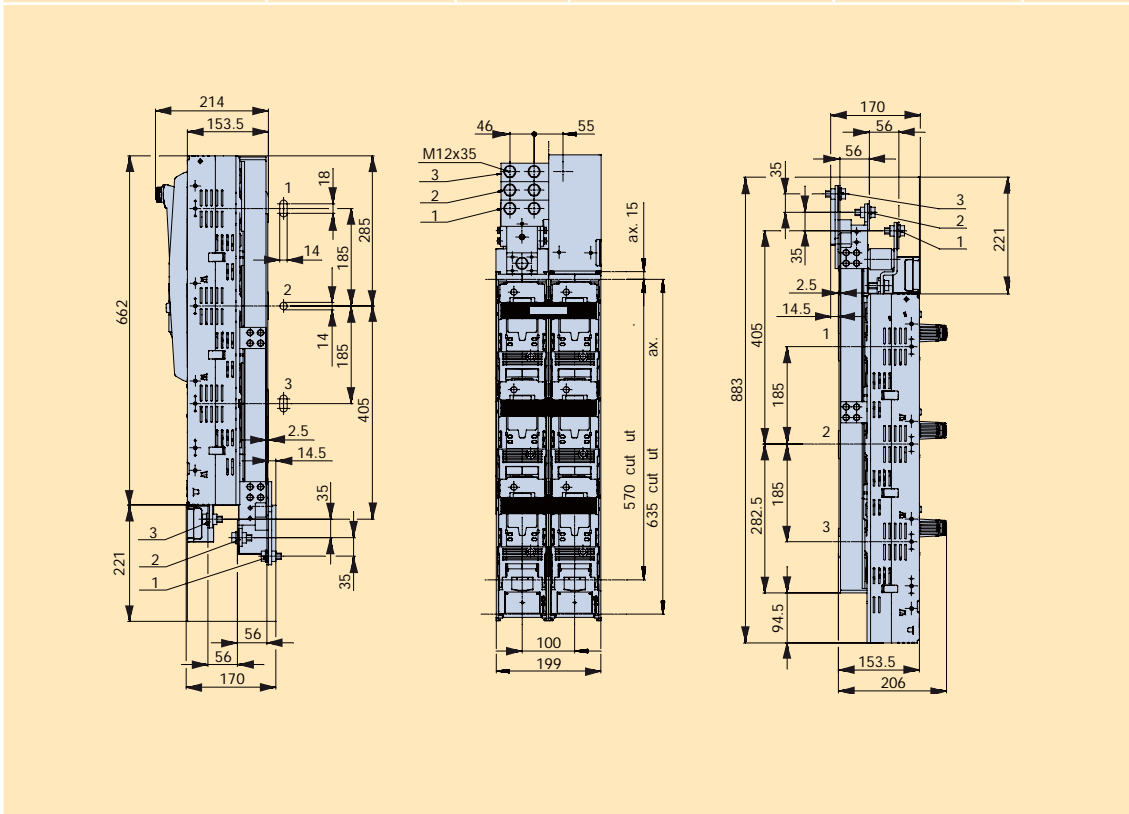


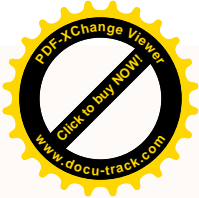
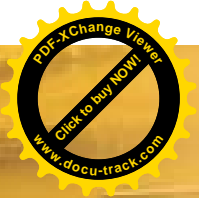
### 尺寸 / Dimensions

型号/Type	订货号/Article-No.	页码/Page	描述/Description	订货号/Article-No.	页码/Page
SL3-3X2/1250/HA	L3921400	SL-19	SLTL3-3X2/1600/HA	L3921402	SL-21
SL3-3X6/1250/HA	L3021400	SL-20	SLTL3-3X6/1600/HA	L3021401	SL-21

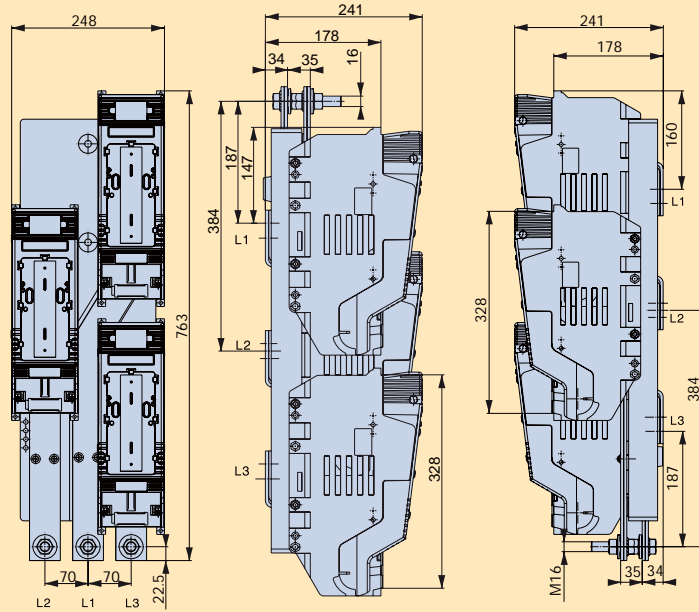


型号/Type	订货号/Article-No.	页码/Page	描述/Description	订货号/Article-No.	页码/Page
SLTL3-3X2/2000/HA	L3921507	SL-21	SLTL3-3X6/2000/HA	L3021501	SL-21





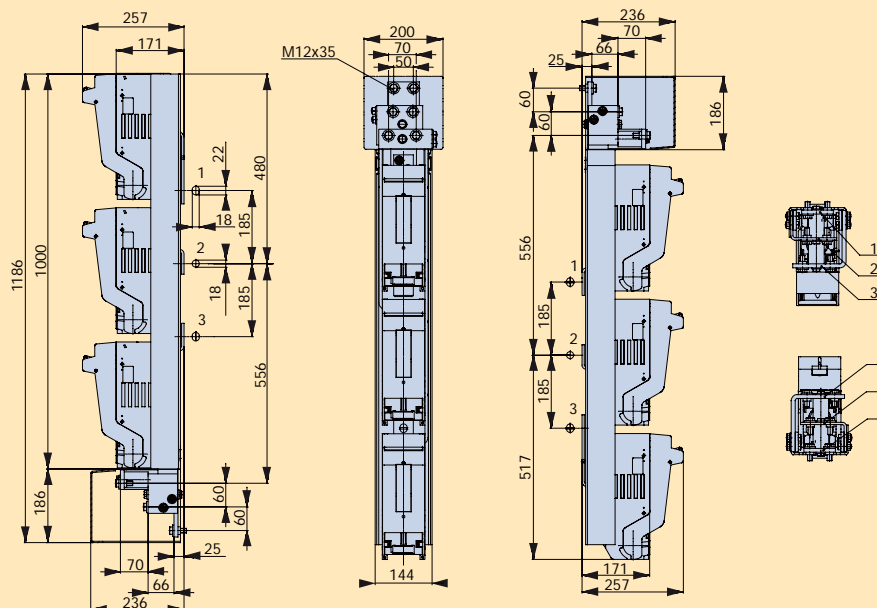
型号/Type	订货号/Article-No.	页码/Page	型号/Type	订货号/Article-No.	页码/Page
SLTL4A-3AS/3X/4	L4241002	SL-25	SLTL4A-3AS/3X/4/A0	L4241024	SL-25



低压高分断条形  
熔断器式  
隔离开关  
NH strip-  
type fuse-switch-  
disconnectors

低压高分断  
熔断器式  
隔离开关  
NH fuse-switch-  
disconnectors

型号/Type	订货号/Article-No.	页码/Page	型号/Type	订货号/Article-No.	页码/Page
SLTL4A-3AS/3X/2X3A/Q/147/HA	L4231049	SL-25	SLTL4A-3AS/3X/2X3A/Q/147/A0	L4231052	SL-25



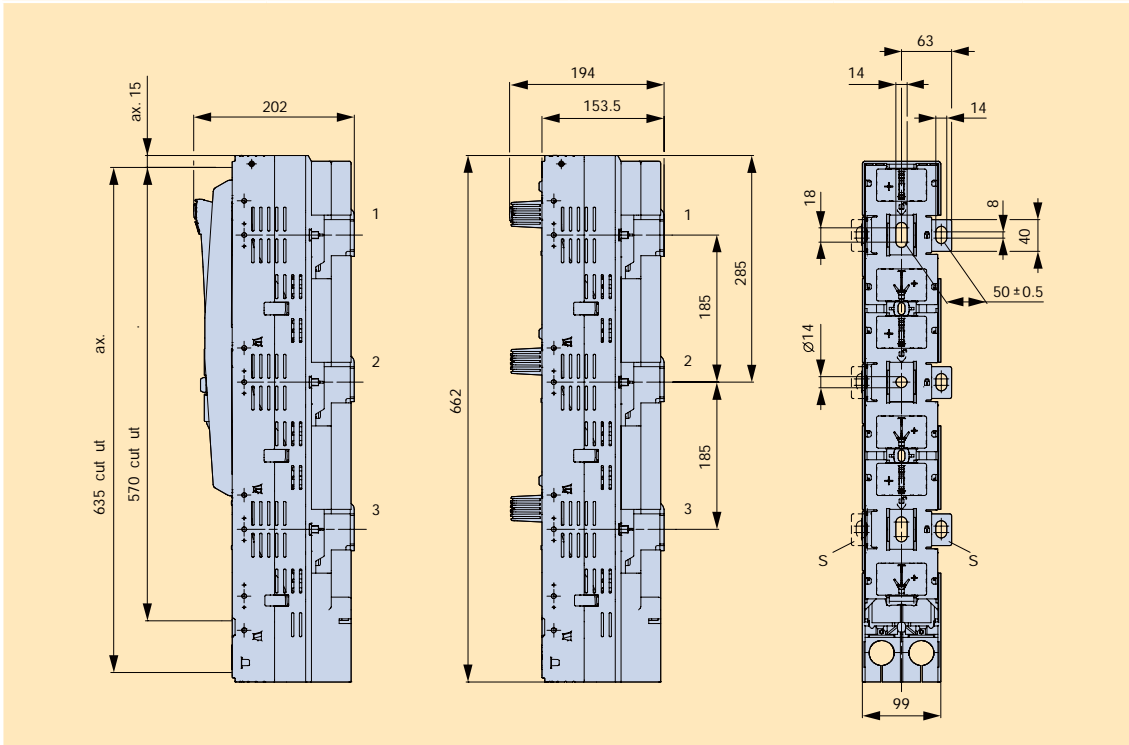
60mm母线系统  
CIOISIMIO®

附录  
Appendix

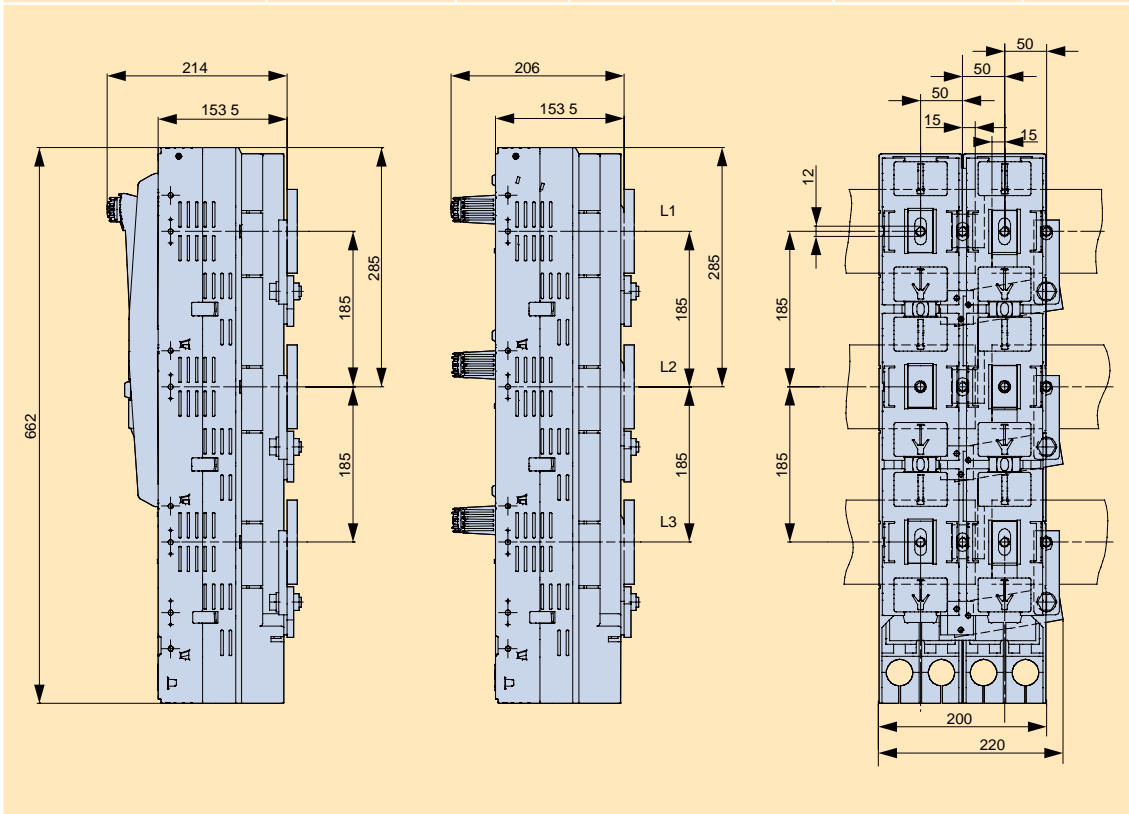


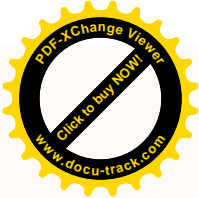
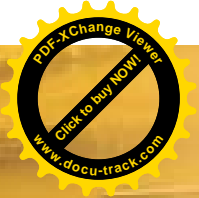
尺寸 / Dimensions

型号/Type	订货号/Article-No.	页码/Page	描述/Description	订货号/Article-No.	页码/Page
SLT3-3SL/3X...	L390000..	SL-25	SLT3-3SL/3X3...	L300000...	SL-25
SLT3-3SR/3X...	L390000...	SL-25	SLT3-3SR/3X3...	L300000...	SL-25

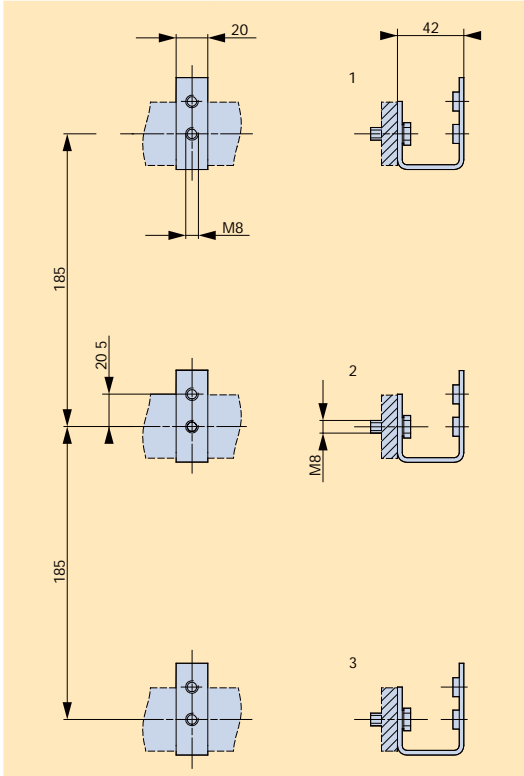


型号/Type	订货号/Article-No.	页码/Page	型号/Type	订货号/Article-No.	页码/Page
SLT3-3SR/3X6/2000/TM3	L3000501	SL-25	SLT3-3SR/3X2/2000/TM3	L3900501	SL-25

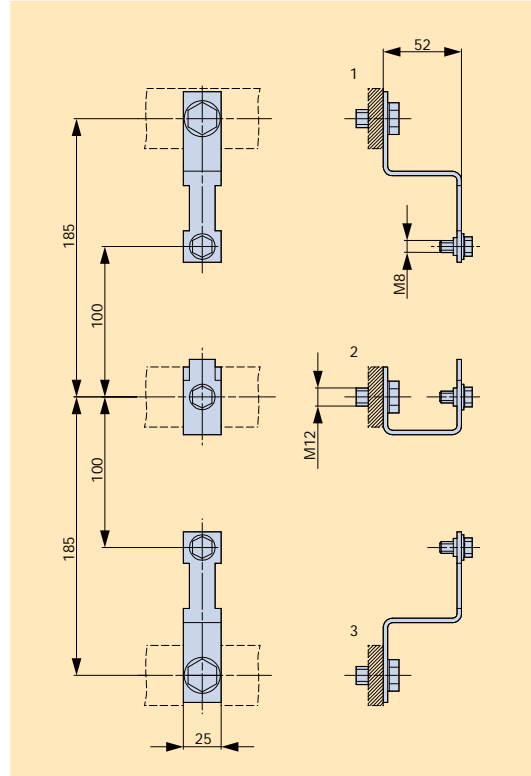




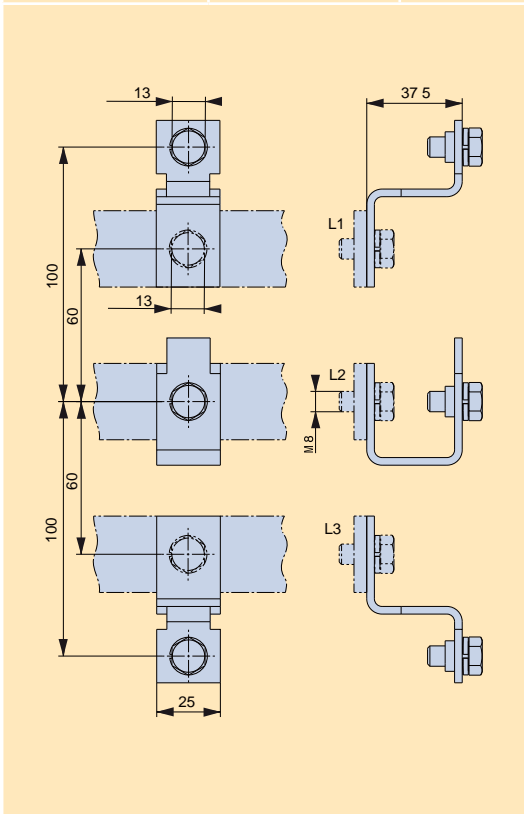
型号/Type	订货号/Article-No.	页码/Page
AB-SL00/1	L8500262	SL-33



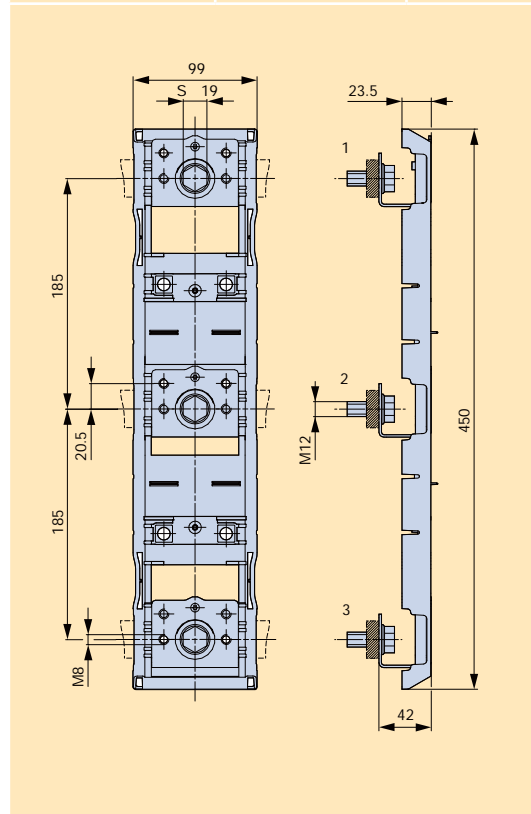
型号/Type	订货号/Article-No.	页码/Page
AB185-SL00/100/1/52	L8600912	SL-33



型号/Type	订货号/Article-No.	页码/Page
AB60-SL00/100/1	L8600178	SL-33



型号/Type	订货号/Article-No.	页码/Page
AL-SL00/42	L8500605	SL-33



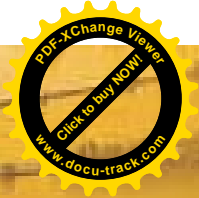
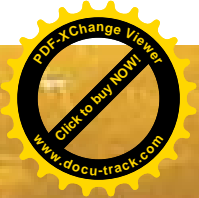
低压高分断条形  
熔断器式  
隔离开关  
NH strip-  
type fuse-switch-  
disconnectors

低压高分断  
熔断器式  
隔离开关  
NH fuse-switch-  
disconnectors

60mm母线系统  
CIOISIMIO®

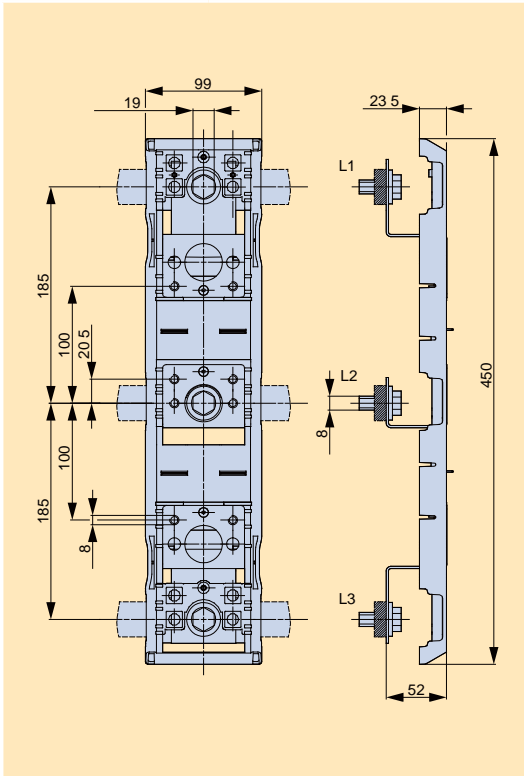
附录  
Appendix



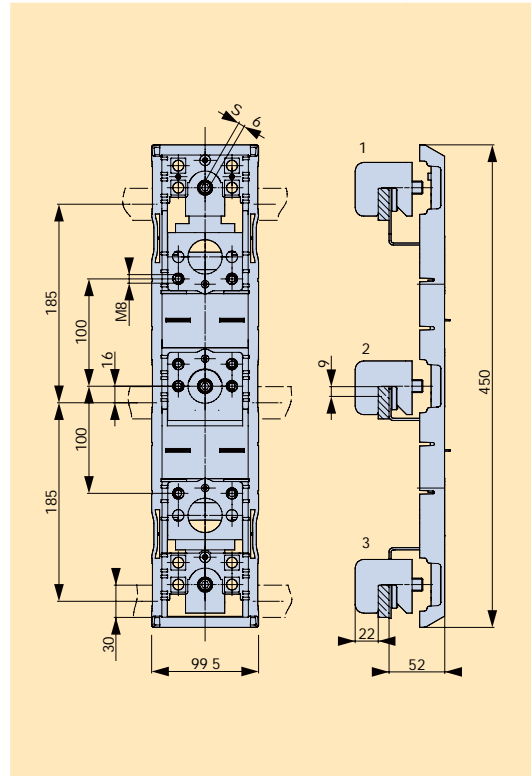


### 尺寸 / Dimensions

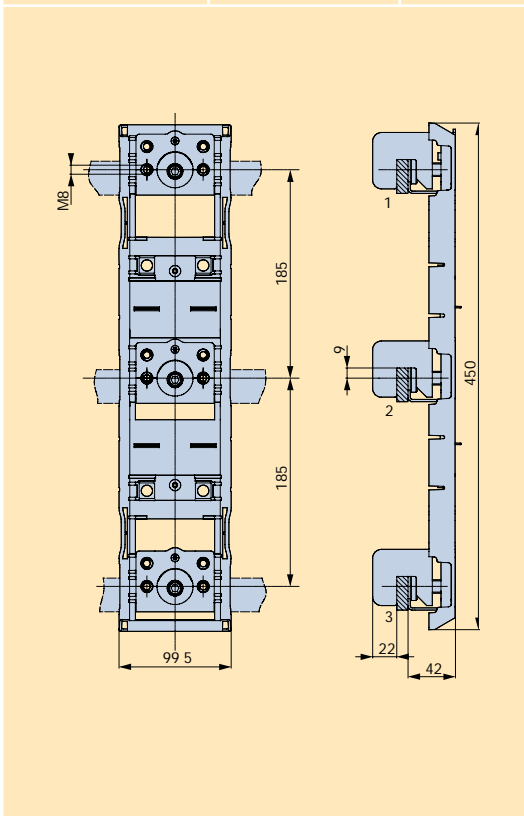
型号/Type	订货号/ Article-No.	页码 / Page
AL185-SL00/100/52	L8500897	SL-33



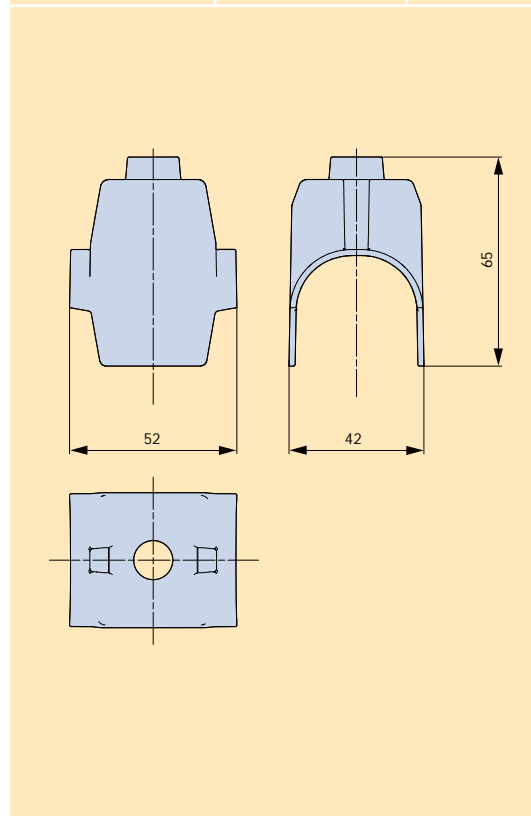
型号/Type	订货号/ Article-No.	页码 / Page
AL185/SK-SL00/100/52	L8500898	SL-33

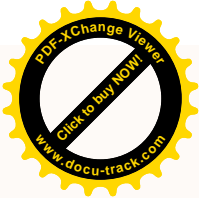
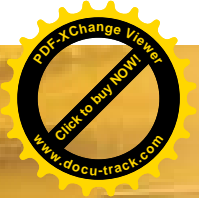


型号/Type	订货号/ Article-No.	页码 / Page
AL/SK-SL00/42	L8500852	SL-33

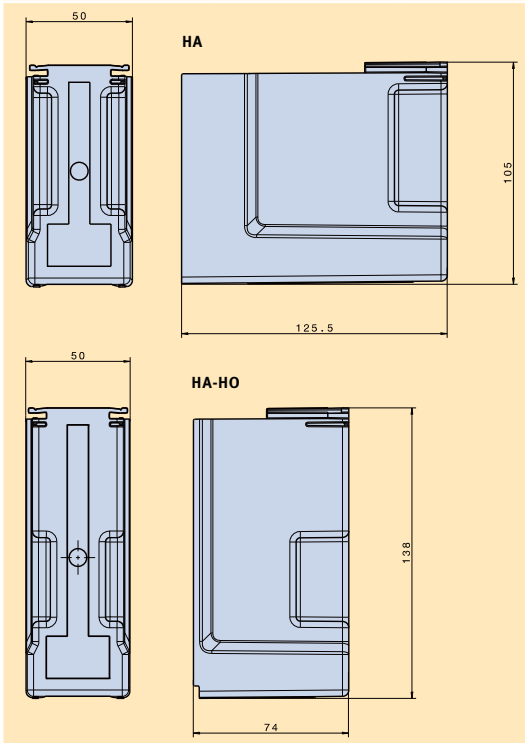


型号/Type	订货号/ Article-No.	页码 / Page
HRV/KM2.../GELB	L8990573	SL-33

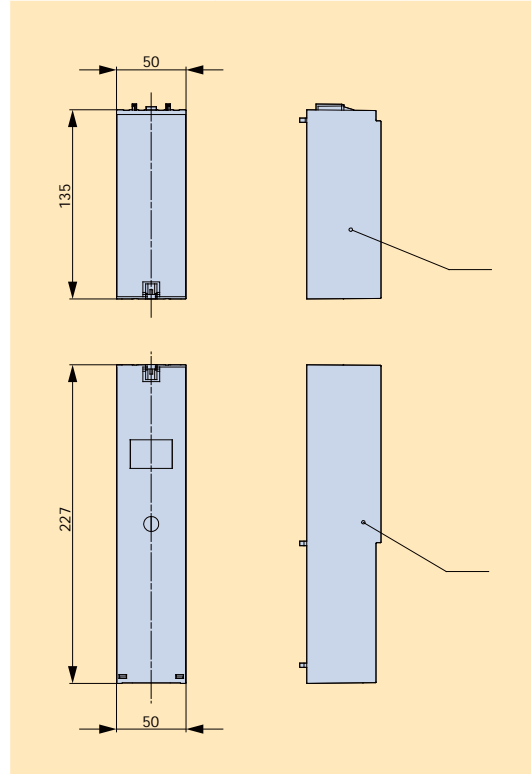




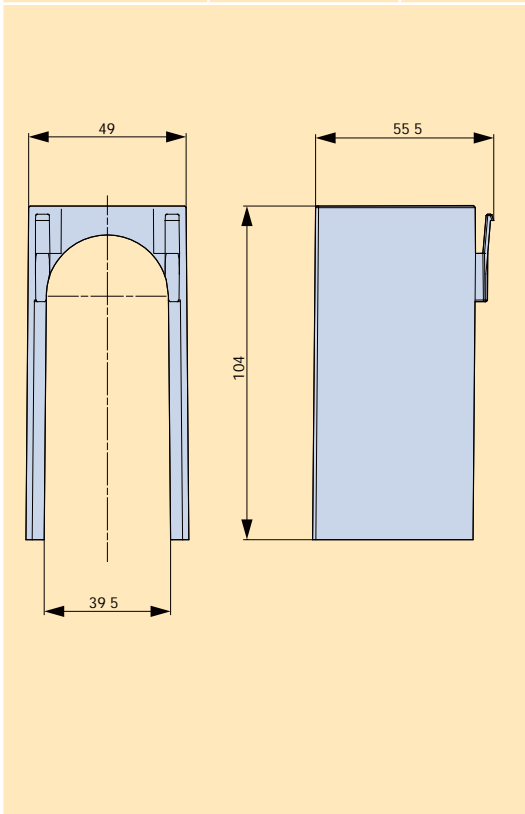
型号/Type	订货号/Article-No.	页码/Page
HA-SL00/185	L8551087	SL-34
HA/HO-SL00/185	L8551091	SL-34



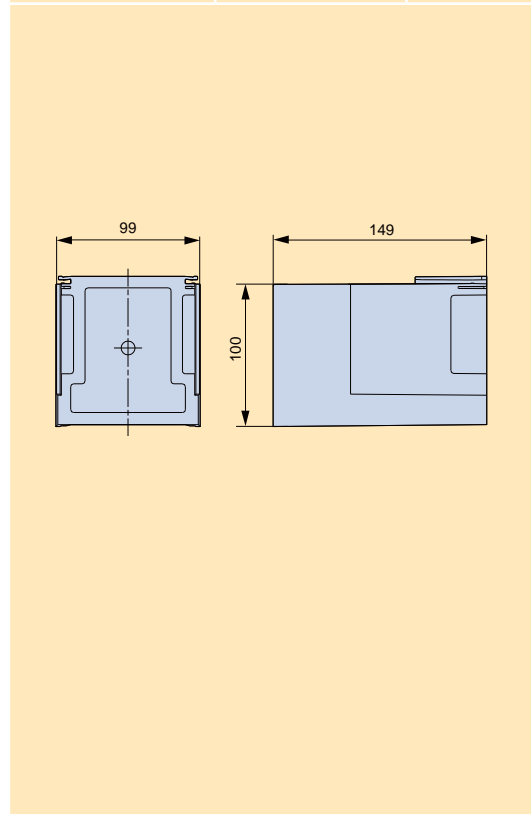
型号/Type	订货号/Article-No.	页码/Page
BO/BU-SL00/100	L8650896	SL-34



型号/Type	订货号/Article-No.	页码/Page
HAV-SL00/100	L8650895	SL-34



型号/Type	订货号/Article-No.	页码/Page
HA-SL123/10	L8950666	SL-34



低压高分断条形  
熔断器式  
隔离开关  
NH strip-  
type fuse-switch-  
disconnectors

低压高分断  
熔断器式  
隔离开关  
NH fuse-switch-  
disconnectors

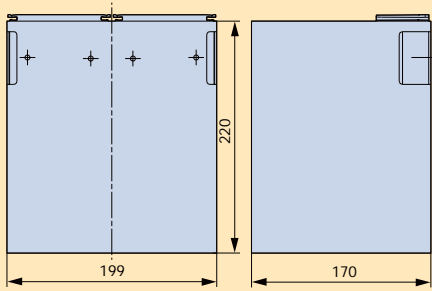
60mm母线系统  
CIOISIMIO®

附录  
Appendix

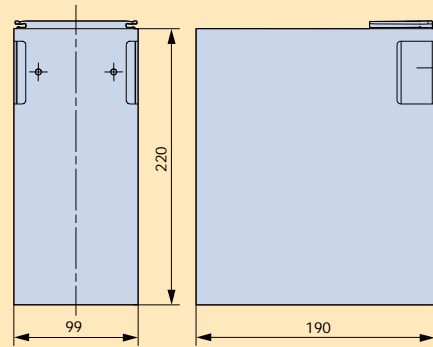


### 尺寸 / Dimensions

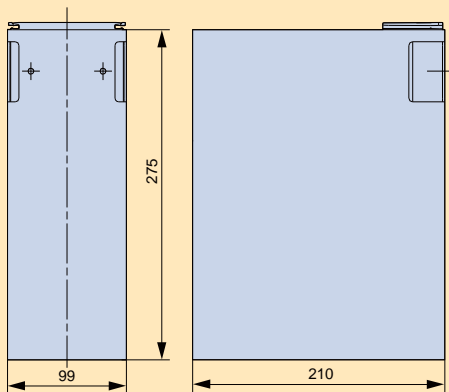
型号/Type	订货号/Article-No.	页码/Page
HA-SL3X2/10	L8950675	SL-34



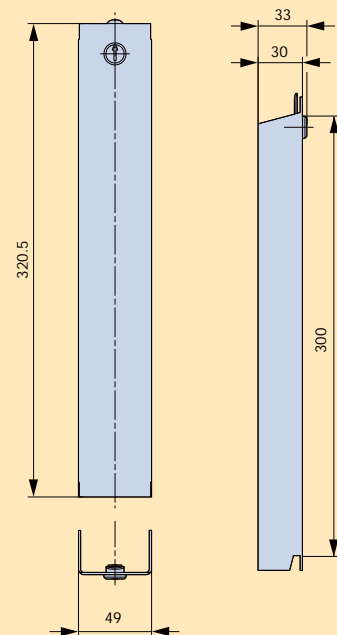
型号/Type	订货号/Article-No.	页码/Page
HA220-SL123/10	L8950673	SL-34

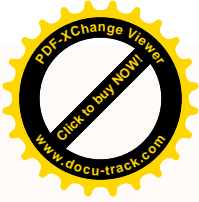


型号/Type	订货号/Article-No.	页码/Page
HA275-SL123/10	L8950674	SL-34

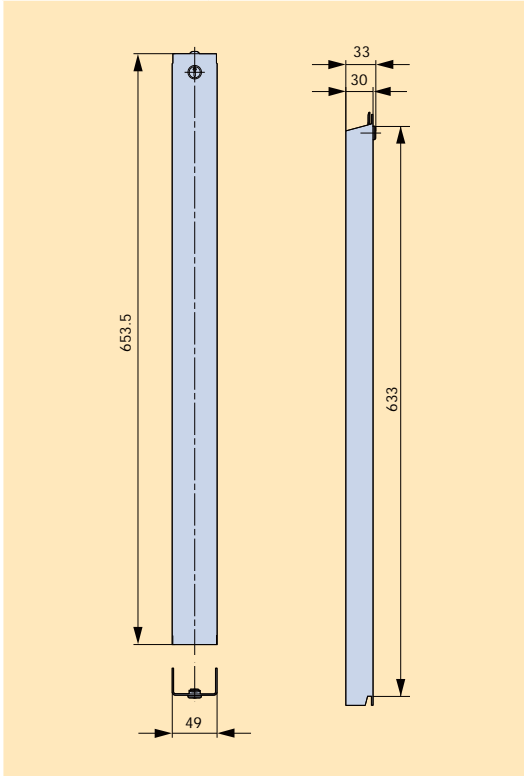


型号/Type	订货号/Article-No.	页码/Page
B-SL00/100	L8520386	SL-34

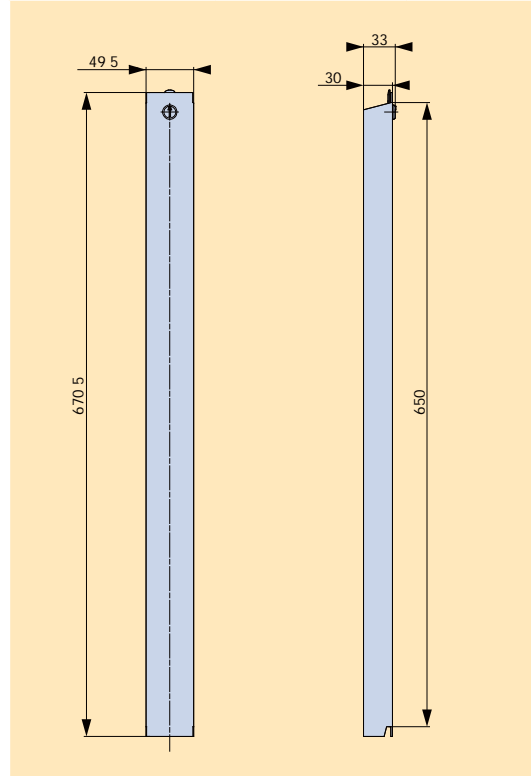




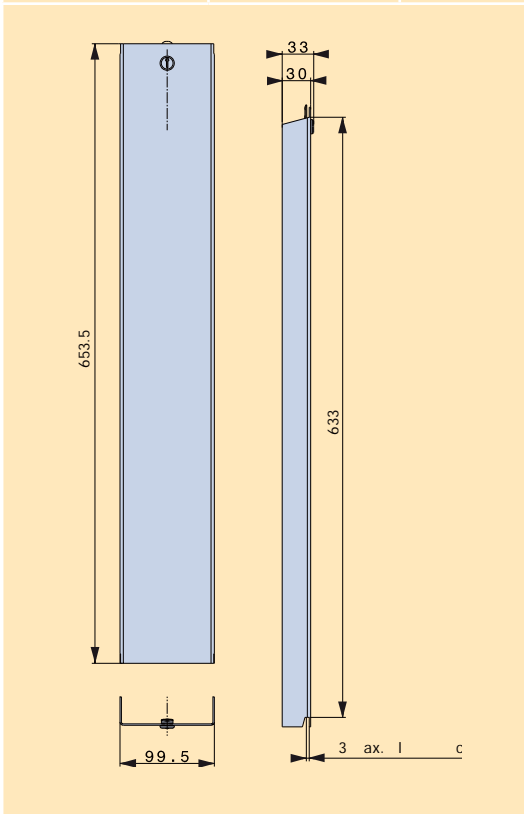
型号/Type	订货号/Article-No.	页码/Page
B-SL00/633	L8520119	SL-34



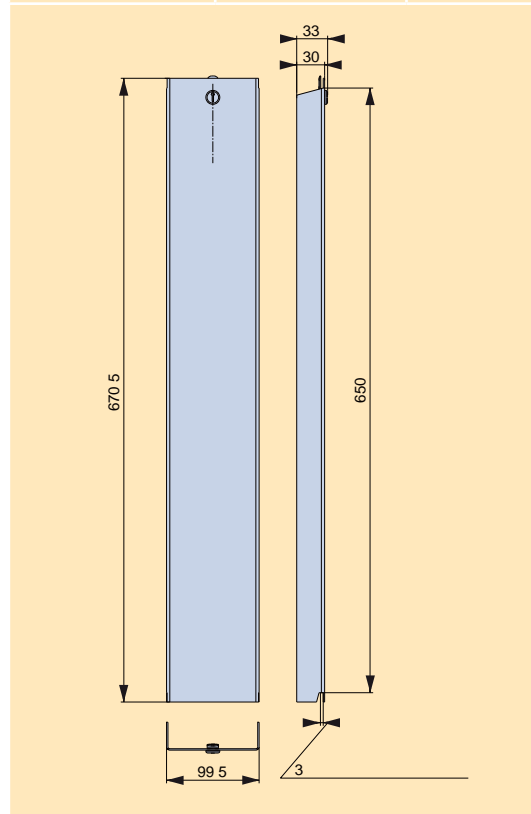
型号/Type	订货号/Article-No.	页码/Page
B-SL00/650	L8520843	SL-34



型号/Type	订货号/Article-No.	页码/Page
B-SL123/633	L8220120	SL-34



型号/Type	订货号/Article-No.	页码/Page
B-SL123/650	L8920746	SL-34

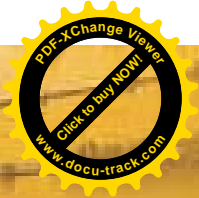
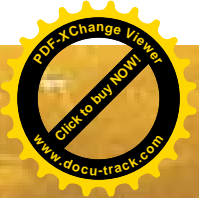


低压高分断条形  
熔断器式  
隔离开关  
NH strip-  
type fuse-switch-  
disconnectors

低压高分断  
熔断器式  
隔离开关  
NH fuse-switch-  
disconnectors

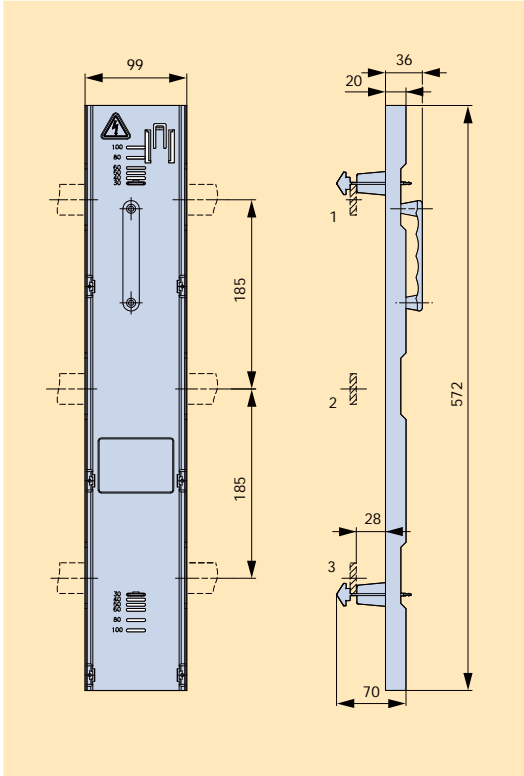
60mm母线系统  
CIOISIMIO®

附录  
Appendix

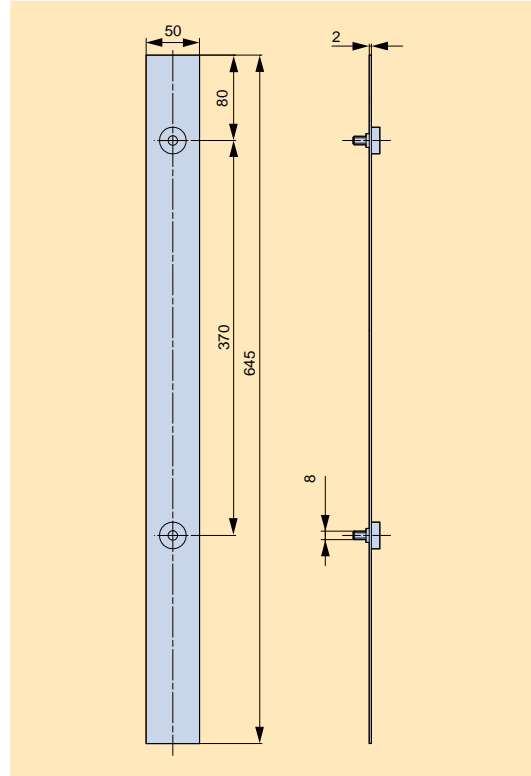


尺寸 / Dimensions

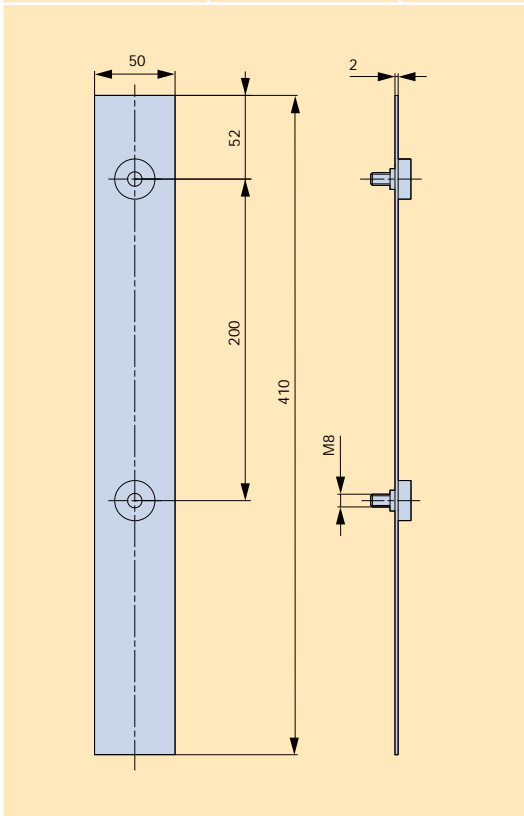
型号/Type	订货号/Article-No.	页码/Page
H-RF	S8900954	SL-34



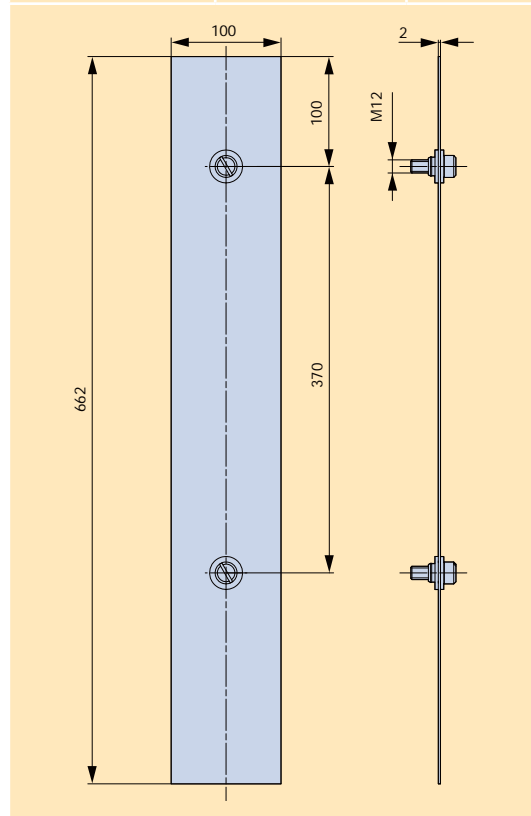
型号/Type	订货号/Article-No.	页码/Page
H-SL00	L8550068	SL-34

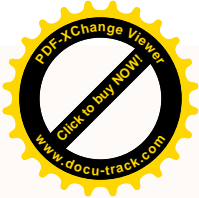
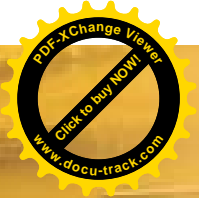


型号/Type	订货号/Article-No.	页码/Page
H-SL00/100	L8520323	SL-34

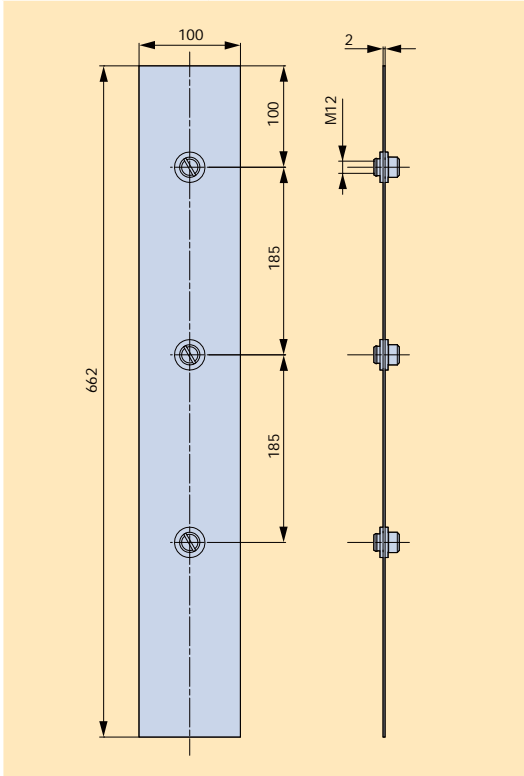


型号/Type	订货号/Article-No.	页码/Page
H-SL123/662	L8220083	SL-34

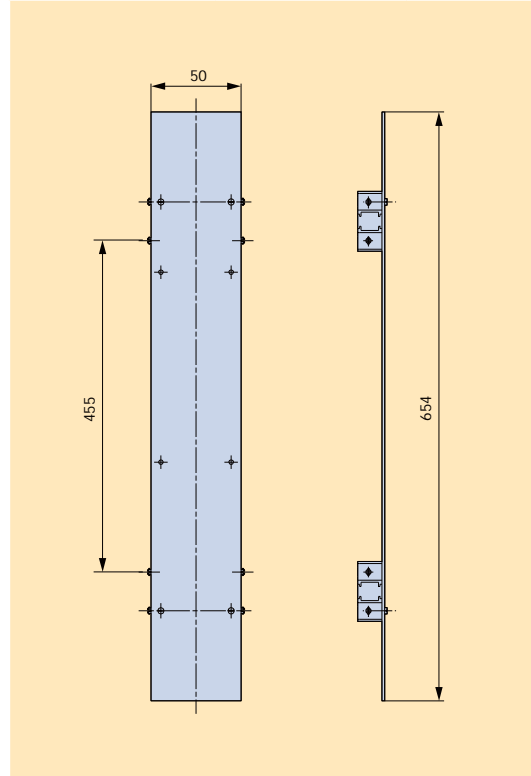




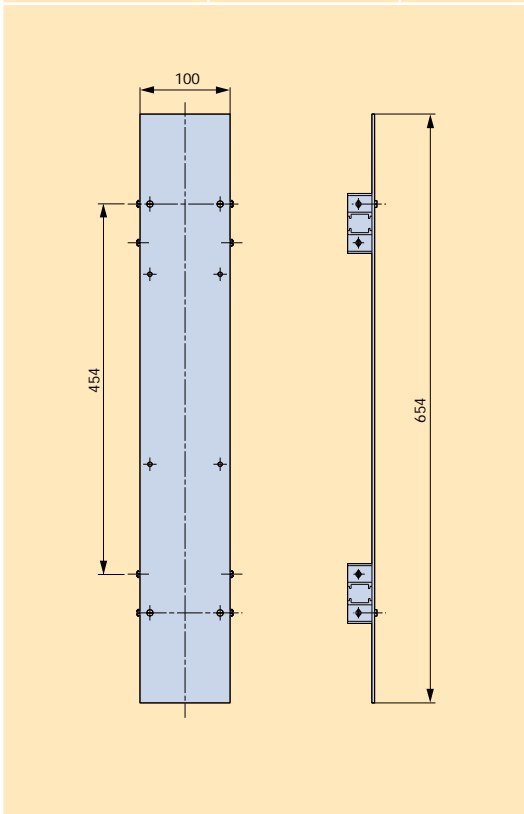
型号/Type	订货号/Article-No.	页码/Page
H-SL123/ST	L8220166	SL-34



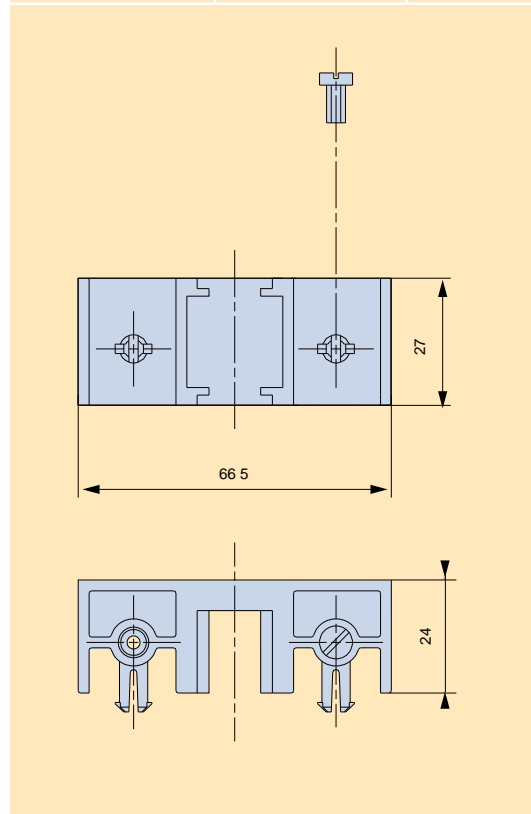
型号/Type	订货号/Article-No.	页码/Page
LA-SL00	L8520350	SL-35



型号/Type	订货号/Article-No.	页码/Page
LA-SL123	L8920351	SL-35



型号/Type	订货号/Article-No.	页码/Page
AH-SL	L8290020	SL-35



低压高分断条形  
熔断器式  
隔离开关  
NH strip-  
type fuse-switch-  
disconnectors

低压高分断  
熔断器式  
隔离开关  
NH fuse-switch-  
disconnectors

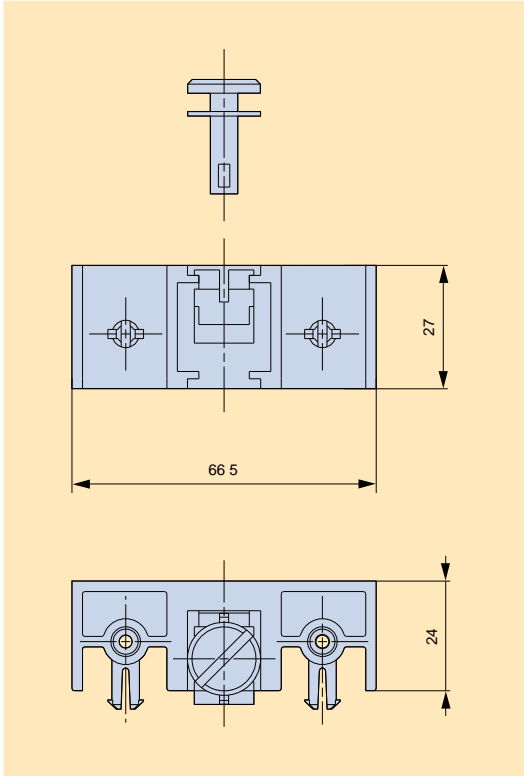
60mm母线系统  
CIOISIMIO®

附录  
Appendix

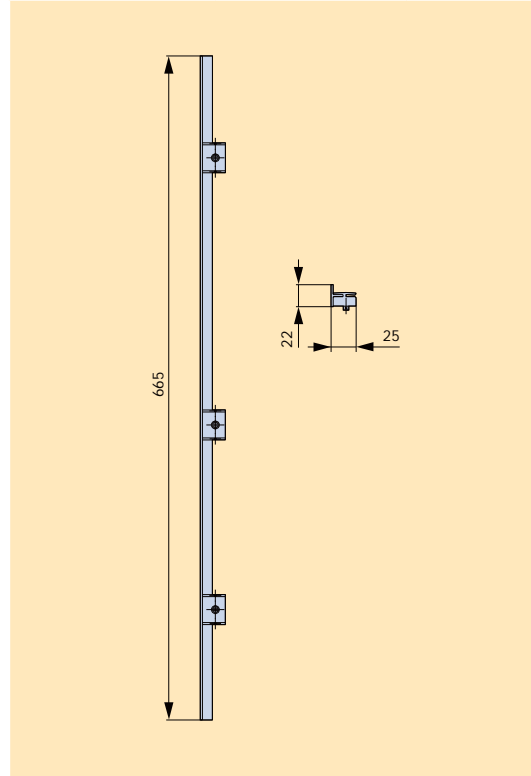


### 尺寸 / Dimensions

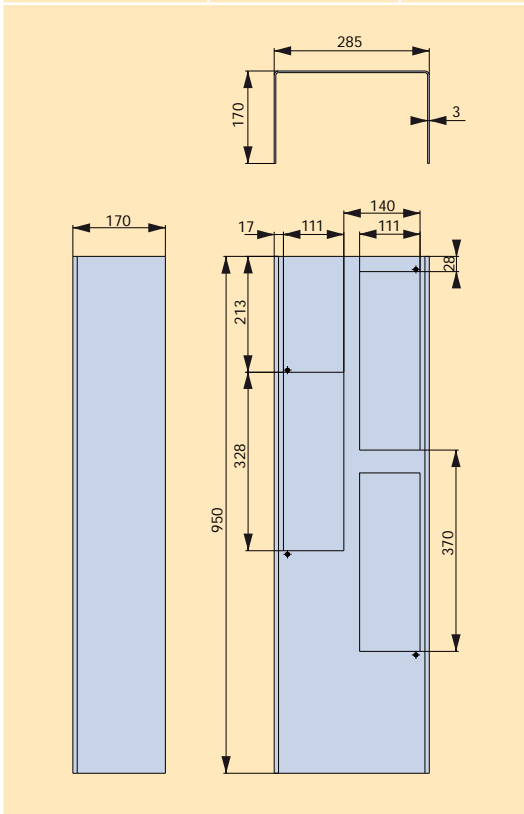
型号/Type	订货号/Article-No.	页码/Page
AH-SL/S	L8920106	SL-35



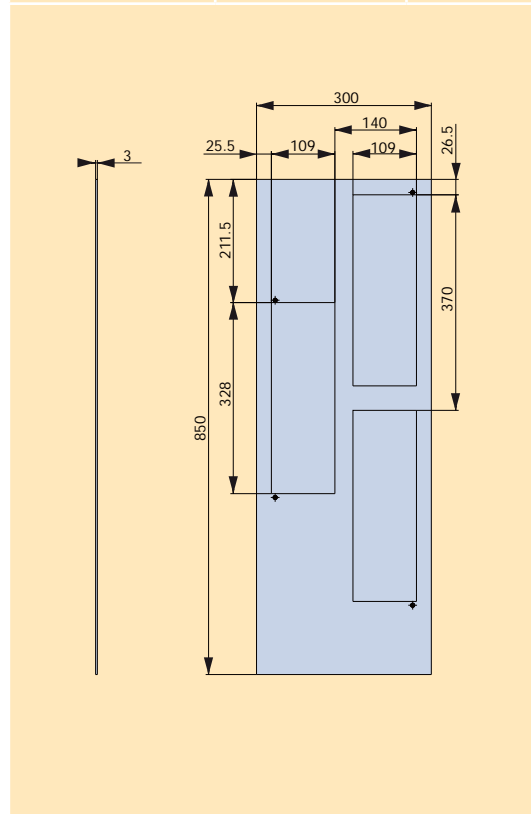
型号/Type	订货号/Article-No.	页码/Page
AHCT-SL00-3	L8990272	SL-35

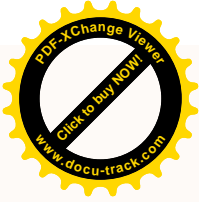


型号/Type	订货号/Article-No.	页码/Page
HU-SLTL4A	L8420197	SL-35

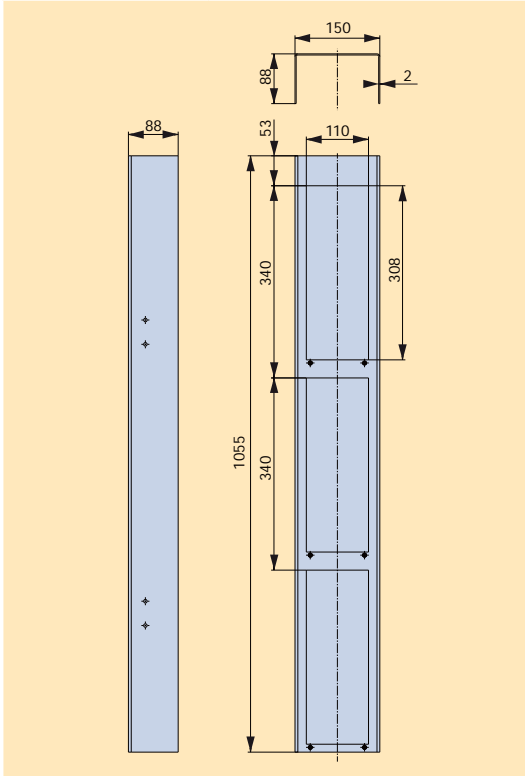


型号/Type	订货号/Article-No.	页码/Page
HF-SLTL4A	L8420210	SL-35

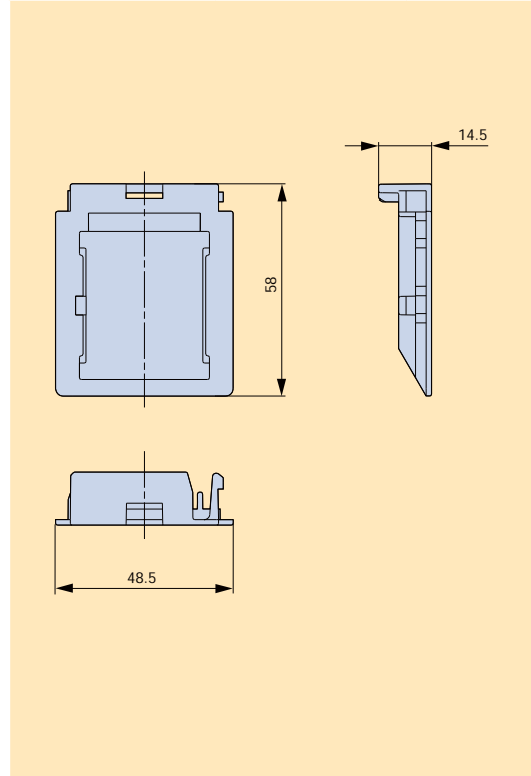




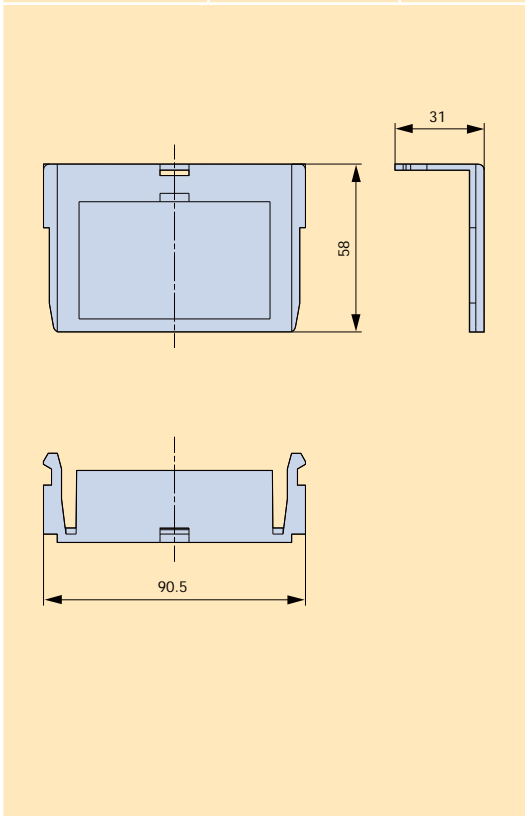
型号/Type	订货号/Article-No.	页码/Page
HU-SLTL4A/147	L8450482	SL-35



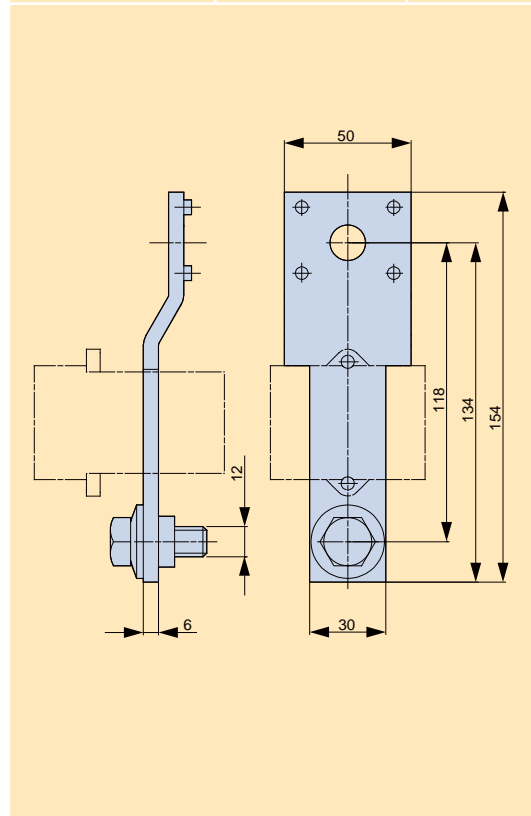
型号/Type	订货号/Article-No.	页码/Page
BZO-SL00	L8590656	SL-35



型号/Type	订货号/Article-No.	页码/Page
BZO-SL123/10	L8990251	SL-35



型号/Type	订货号/Article-No.	页码/Page
10W/L3-L/SL123	L8990658	SL-36



低压高分断条形熔断器式隔离开关 NH strip-type fuse-switch-disconnectors

低压高分断熔断器式隔离开关 NH fuse-switch-disconnectors

60mm母线系统 CIOISIMIO®

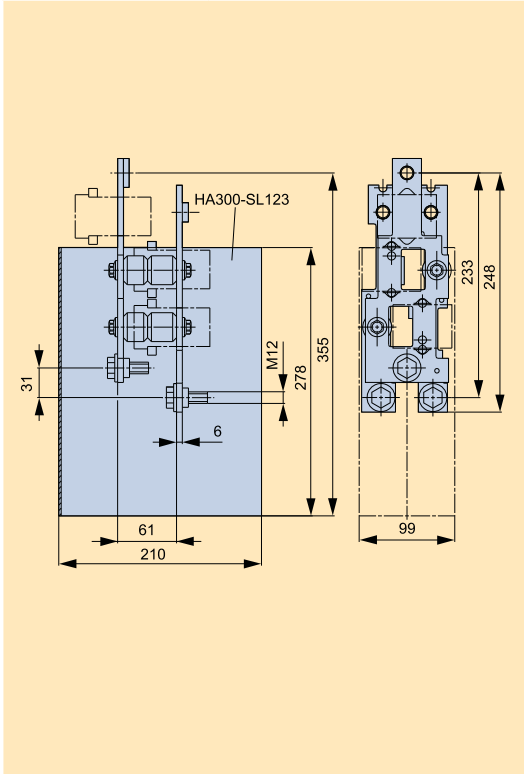
附录 Appendix



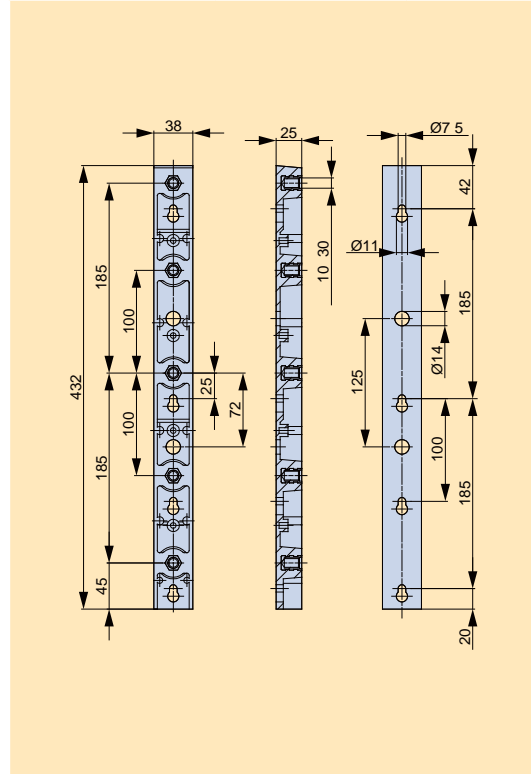


### 尺寸 / Dimensions

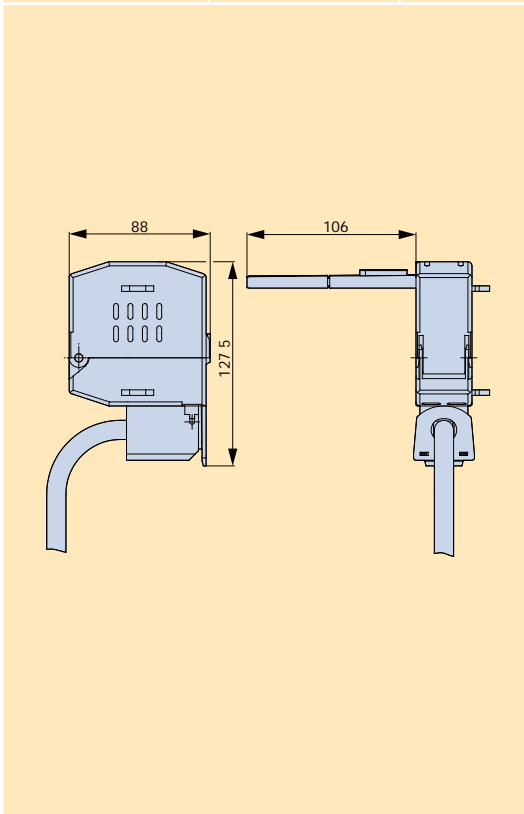
型号/Type	订货号/Article-No.	页码/Page
30W-L/SL123	L8900652	SL-36



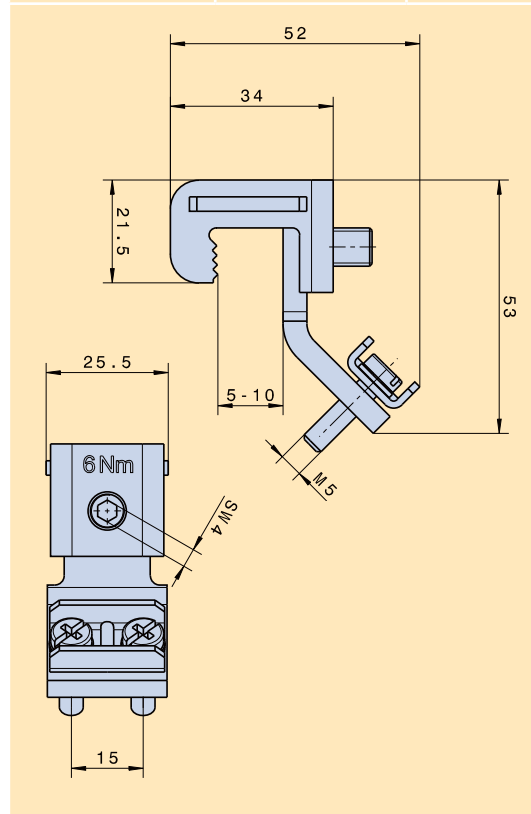
型号/Type	订货号/Article-No.	页码/Page
SH100/185	S8900003	SL-36

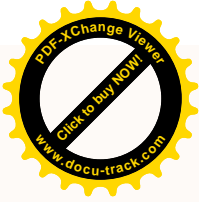


型号/Type	订货号/Article-No.	页码/Page
HP-SE/L	L8990491	SL-36

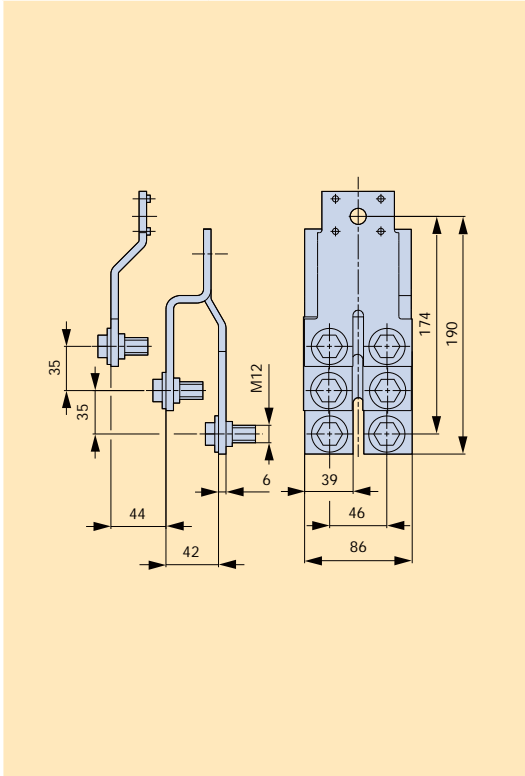


型号/Type	订货号/Article-No.	页码/Page
SK-S0070	K5441020	SL-36

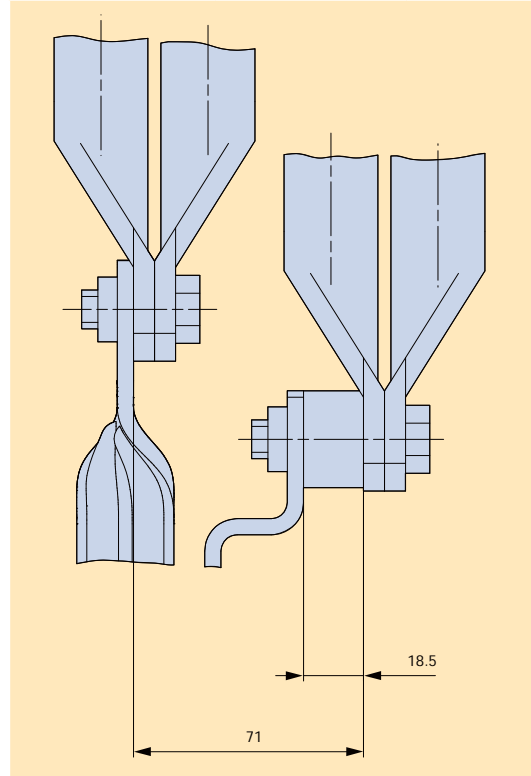




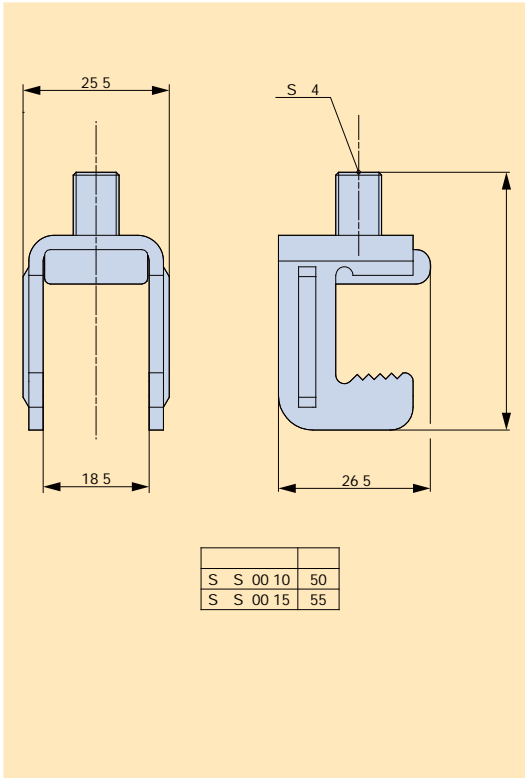
型号/Type	订货号/Article-No.	页码/Page
VS-SL3/1000	L8390600	SL-36



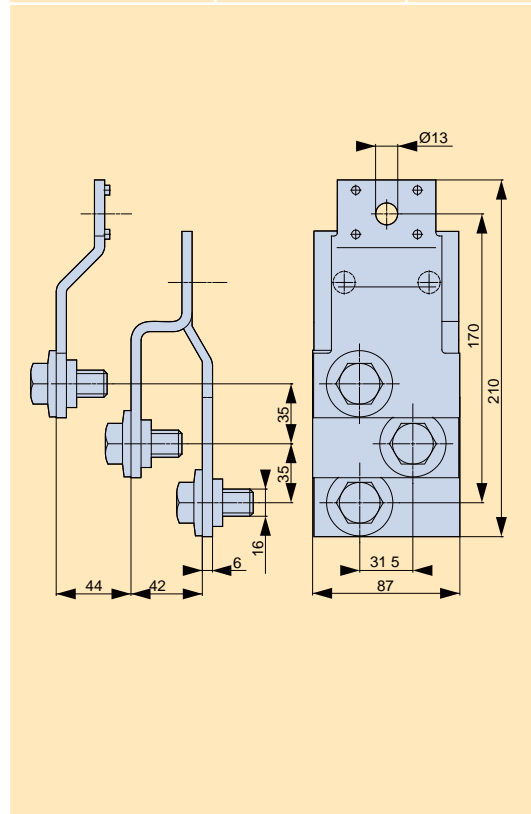
型号/Type	订货号/Article-No.	页码/Page
FK2x240-SL23	L8290160	SL-32



型号/Type	订货号/Article-No.	页码/Page
SK-L/SL00	L8570207	SL-33
SK-L/SL00/15	L8570642	SL-33



型号/Type	订货号/Article-No.	页码/Page
VS-SL3/400QMM	L8390937	SL-36

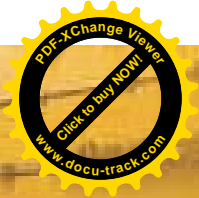
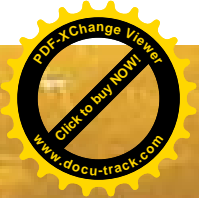


低压高分断条形  
熔断器式  
隔离开关  
NH strip-  
type fuse-switch-  
disconnectors

低压高分断  
熔断器式  
隔离开关  
NH fuse-switch-  
disconnectors

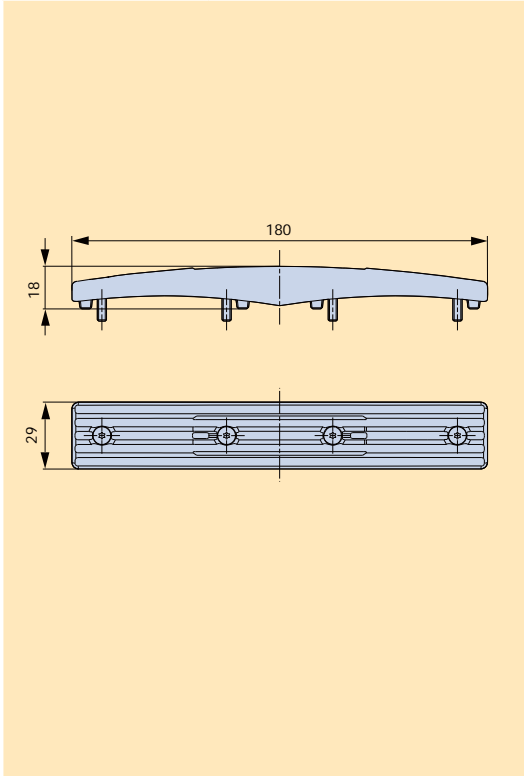
60mm母线系统  
CIOISIMIO®

附录  
Appendix

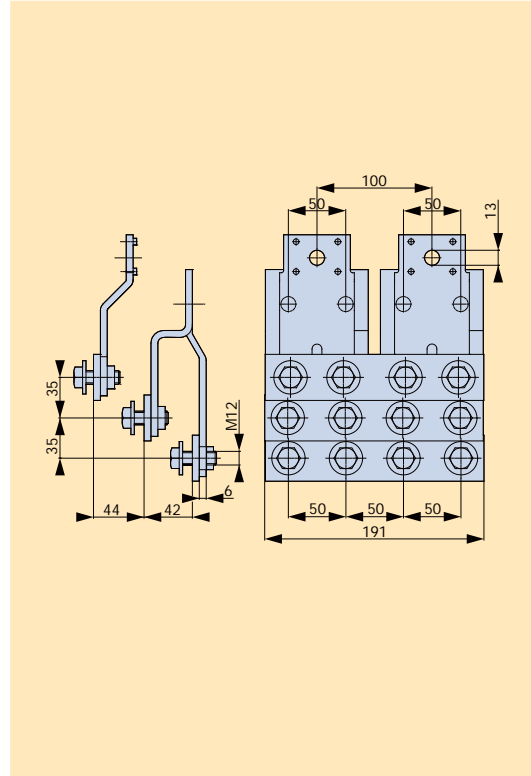


### 尺寸 / Dimensions

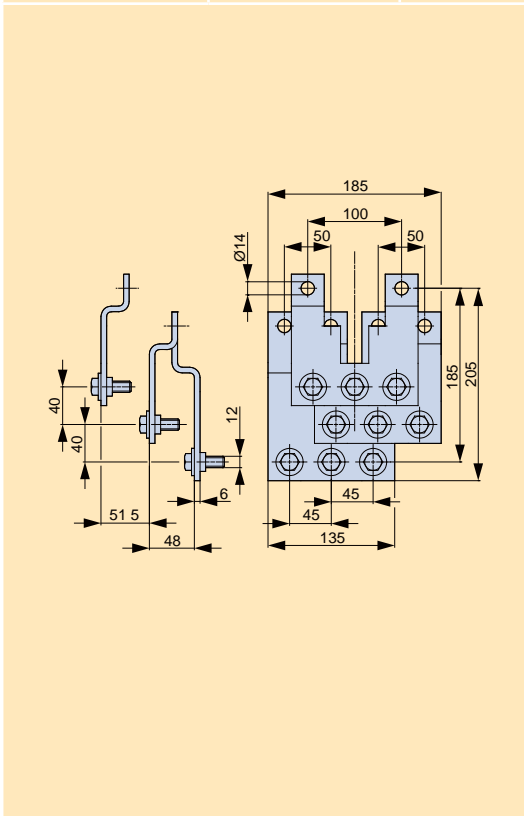
型号/Type	订货号/Article-No.	页码/Page
VBS-SL3X2(6)	L8990668	SL-36

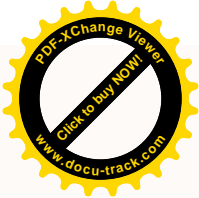
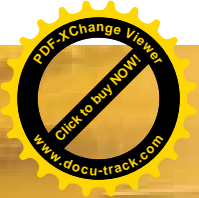


型号/Type	订货号/Article-No.	页码/Page
VS-SL123/4x240QMM	L8390921	SL-36



型号/Type	订货号/Article-No.	页码/Page
VS-SL3/1250	L8990669	SL-36



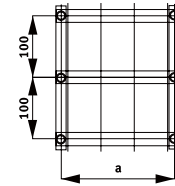
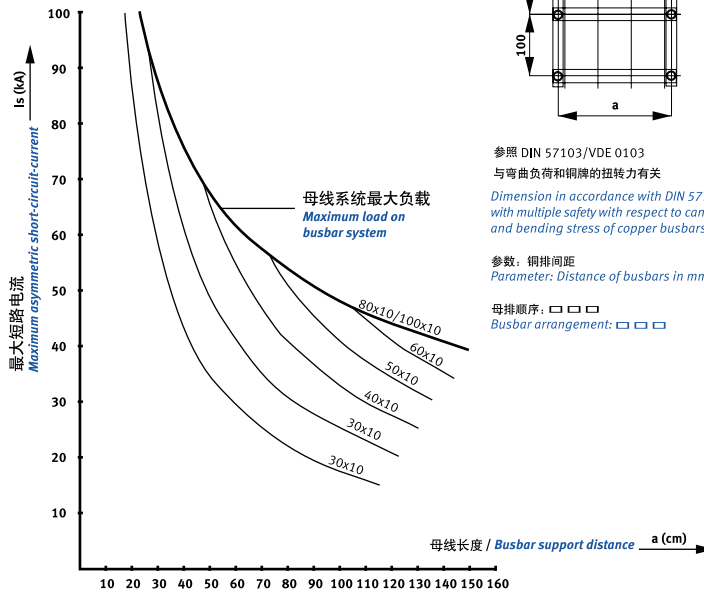


技术参数  
母线支架 SH100/185

Technical data  
busbar support SH100/185

SH 100

短路阻抗 / Short-circuit resistance  
取决于母线长度 (Schiensystem: 100mm)  
as a function of the support distance (busbar system: 100mm)



参照 DIN 57103/VDE 0103  
与弯曲负荷和铜牌的扭转力有关  
Dimension in accordance with DIN 57103/VDE 0103  
with multiple safety with respect to cantilever strength  
and bending stress of copper busbars.

参数: 铜排间距  
Parameter: Distance of busbars in mm

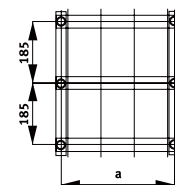
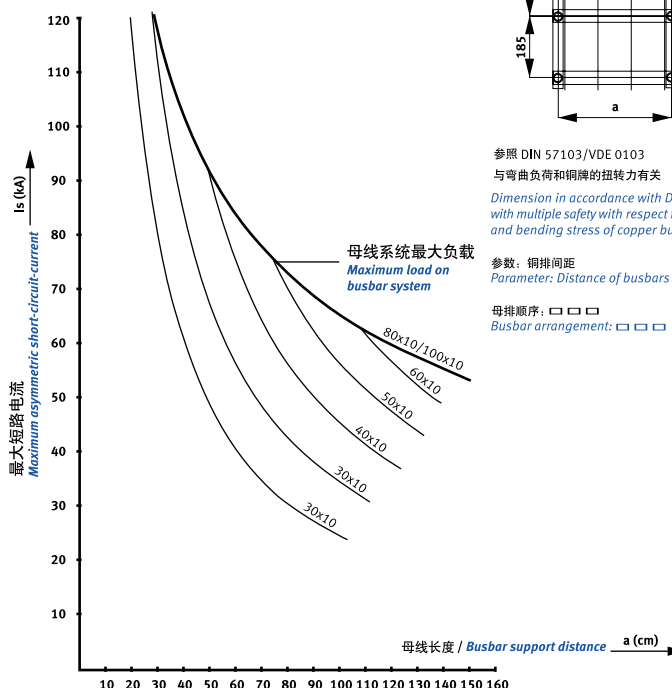
母排顺序: □ □ □ □  
Busbar arrangement: □ □ □ □

低压高分断条形  
熔断器式  
隔离开关  
NH strip-  
type fuse-switch-  
disconnectors

低压高分断  
熔断器式  
隔离开关  
NH fuse-switch-  
disconnectors

SH 185

短路阻抗 / Short-circuit resistance  
取决于母线长度 (Schiensystem: 185mm)  
as a function of the support distance (busbar system: 185mm)



参照 DIN 57103/VDE 0103  
与弯曲负荷和铜牌的扭转力有关  
Dimension in accordance with DIN 57103/VDE 0103  
with multiple safety with respect to cantilever strength  
and bending stress of copper busbars.

参数: 铜排间距  
Parameter: Distance of busbars in mm

母排顺序: □ □ □ □  
Busbar arrangement: □ □ □ □

60mm母线系统  
CIOISIMIO®

附录  
Appendix