

28.09.2016
by Zoe

低压高分断熔断器底座

NH fuse-bases



低压高分断熔断器底座尺寸 00 到 4a，适用于安装板平面安装或直接母线安装方式。

低压高分断熔断器底座与低压高分断熔断体或隔离刀片配合使用，遵照 DIN VDE 0636-2/IEC 60269-2 标准执行。使用符合 DIN VDE 0636-2/IEC 60269-2 和 VDE 0680-4 标准的操作手柄。按照标准，4a 熔断器底座必须为拉开式并配备联锁装置（具体型号请参考 LTL4a 样本），才能作为低压高分断式隔离器使用。



NH fuse-bases DIN size 00 to 4a are suitable for surface mounting on mounting plates and for direct mounting on busbars.

They are used for application of NH fuse-links according to DIN VDE 0636-2/IEC 60269-2 as well as solid links. They are operated by a fuse handle according to DIN VDE 0636-2/IEC 60269-2 and VDE 0680-4. According to the standard size 4a fuse-bases have to be equipped with a swing-in device and interlocking and therefore are offered as NH fuse-disconnectors.

目录

Contents

产品简介	U-2	<i>Introduction</i>	<i>U-2</i>
爆炸图	U-4	<i>Exploded drawings</i>	<i>U-4</i>
底板式安装的低压高分断熔断器底座	U-10	<i>NH fuse-bases</i>	<i>U-10</i>
附件	U-18	<i>Accessories</i>	<i>U-18</i>
技术参数	U-20	<i>Technical data</i>	<i>U-20</i>
尺寸	U-26	<i>Dimensions</i>	<i>U-26</i>

低压高分断熔断器底座

NH fuse-bases

产品定义

低压高分断熔断器底座尺寸从 00-4a，电流 160A-1600A，遵照 DIN VDE 0636-2 以及 IEC 60269 标准执行。尺寸 4a，最大电流 1600A 的熔断器底座，需使用符合 EN 60947-3 标准的熔断器式隔离开关，利用拉开手柄安装低压高分断熔断体（具体型号请参考 LTL4a 样本）。

低压高分断熔断器底座与低压高分断熔断体或隔离刀片配合使用，遵照 DIN VDE 0636-2/IEC 60269 标准执行。

进线和出线触头是从外部连接，并配有连接电缆或铜排的接线端子。母线式熔断器底座进线端的设计，可提供标准化 40 毫米母线系统的机械和电气连接。

现场应用

低压高分断熔断器底座为低压配电盘实现紧凑简单的熔断器保护方式。

产品优势

金米勒提供尺寸 00 号，1 号，2 号，3 号熔断器底座及 4a 号熔断器式隔离开关。设计范围包括尺寸 00-4a，电压 690V 的单极及 3 极，及尺寸 1XL-3L，电压 1500V 的单极熔断器底座。

提供丰富的安装方式，包括底板式安装，特别是 00 号尺寸也提供母线式安装。

由于设计时考虑了增加极数和各种配件的可用性，对于以额定电流、额定电压和安装方式来量身定制的解决方案，可以满足几乎所有的应用。

Product definition

NH fuse-bases size 00-4a, 160A-1600A conform to DIN VDE 0636-2 respectively IEC 60269. The size 4a up to 1600A is implemented with NH fuse-switch-disconnectors according to EN 60947-3 with swing-in device for carrying an NH fuse-link.

They are suitable for application of NH fuse-links according to DIN VDE 0636-2 respectively IEC 60269 as well as of solid links. Incoming and outgoing contacts are accessible from outside and fitted with terminals for the connection of cables or bars. The feeder side of fuse-bases for busbar mounting is designed to provide mechanical and electrical connection to standardized 40mm busbar systems.

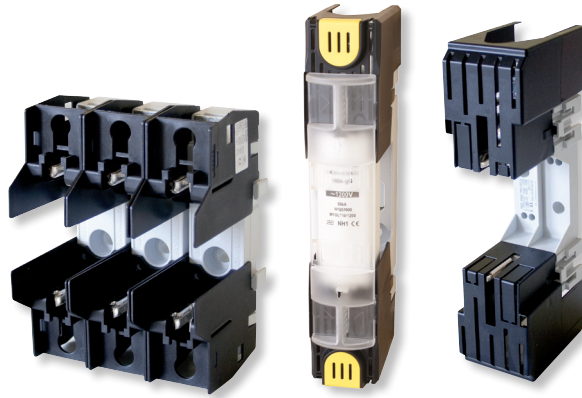
Field of application

NH fuse-bases offer a compact and simple possibility for application of fuses as protective device in low voltage distribution boards.

Product advantages

JEAN MÜLLER offers fuse-bases in sizes 00, 1, 2 and 3 as well as size 4a as fuse-switch-disconnector. For up to 690V bases in size 00-4a are available in single-pole and 3-pole design and as single-pole fuse-bases in sizes 1XL-3L for 1500V. Variants for baseplate mounting and in particular for size 00 also for busbar mounting are provided.

Thanks to the possibility to adding additional poles and the availability of various accessories, tailor-made solutions with respect to current rating, voltage rating and mode of installation can be found for nearly every application.



产品设计

尺寸按照 DIN VDE 0636-2 以及 IEC 60269-2；所有标准的尺寸均可选；1500V 熔断器底座的尺寸也符合该标准。

采用热固性材料作为载流部件的支持件，除了实现最高的尺寸稳定性，也确保了最大的爬电距离。

触头表面采用镀银工艺，确保了理想的接触性能。

熔断器底座采用扁平接线端子作为基本配置。也可另选端子接线夹进行连接。

也可选择开放式或者含防护罩的方式来防止触碰。

机械式熔断器监控装置需配合带撞针型的低压高分断熔断体，进行熔断指示。（型号“K”作为机械式熔断器状态指示，尺寸 00 可改装，尺寸 1XL-3L 为预装方式）

Product design

Dimensions are according DIN VDE 0636-2 respectively IEC 60269-2; all defined sizes are available. The dimensions for the 1500V fuse-bases are adapted to the standards.

As bases for live parts thermosetting materials are used, which besides their high dimensional stability guarantee a superior resistance to tracking.

The surface of the contacts is galvanically silver plated and therefore provides ideal contact characteristics.

Fuse-bases are equipped with flat terminals for cable lugs as standard. Optional connection with direct terminal clamps is possible.

They are available either open or with protective covers against unintentional touching.

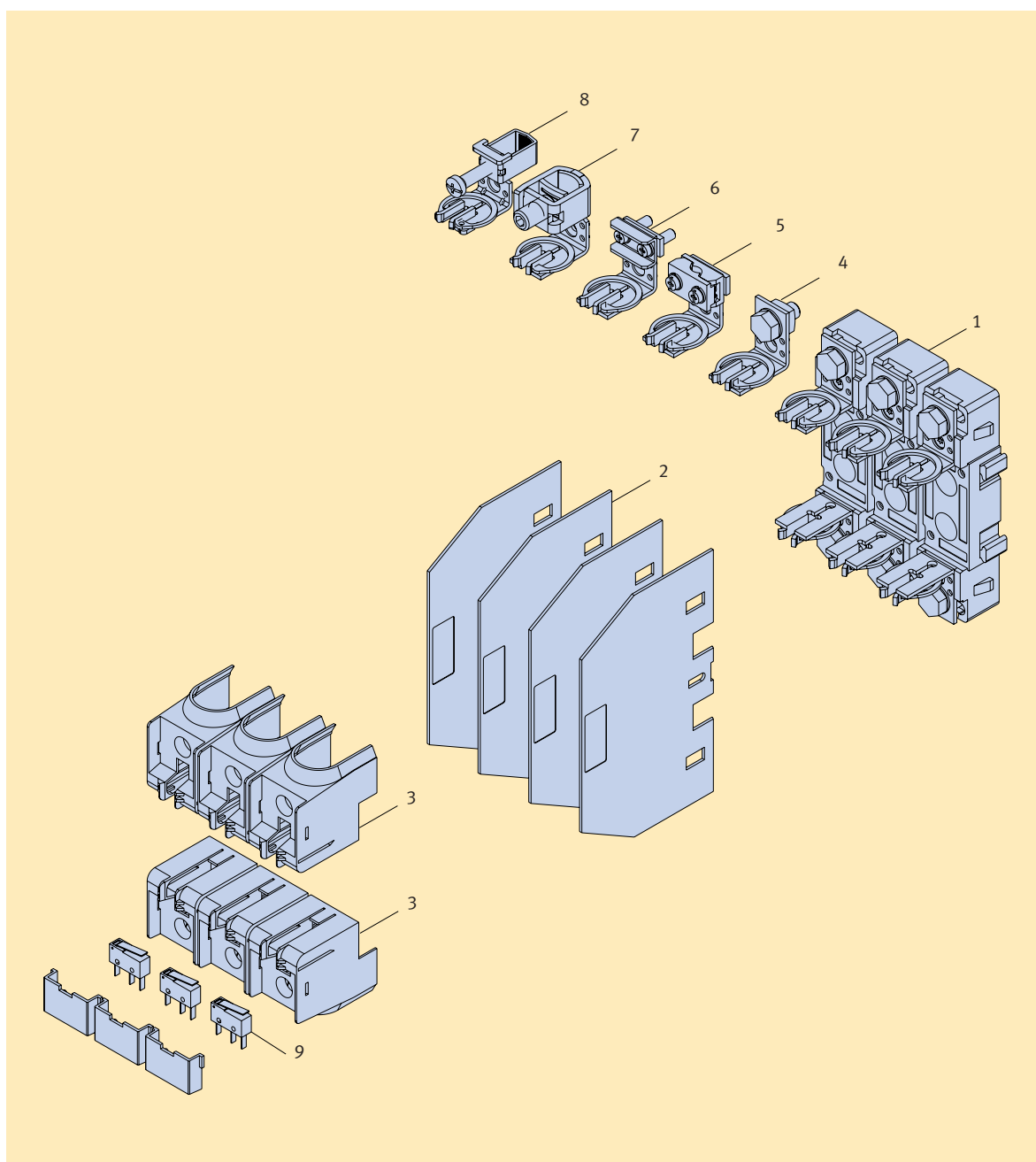
A mechanical fuse-monitor in conjunction with striker type NH fuse-links signals the fuse tripping (mechanical fuse-monitoring "type K" retrofittable in size 00, 1XL-3L and available only pre-installed in size 1-3).

低压高分断熔断器底座

NH fuse-bases

爆炸图 - 低压高分断熔断器底座, 尺寸 00

Exploded drawing - NH fuse-base, size 00



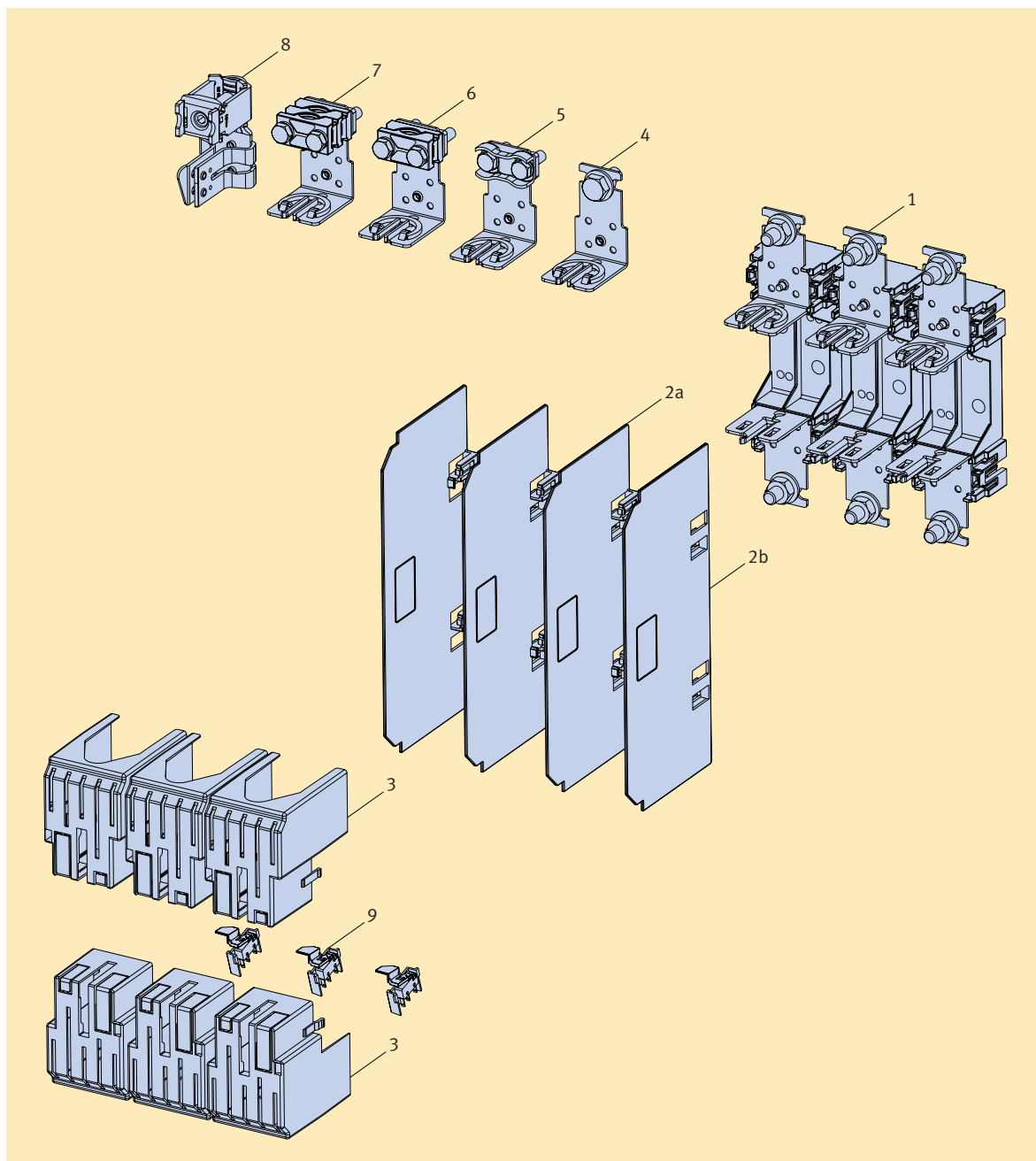
1	熔断器底座 U00.../Fuse-base U00...
2	中间隔板或侧壁 /Partition or side wall
3	触头防护罩 HTU00-IG/IGZ/Contact cover HTU00-IG/IGZ
4	扁平端子 M8/Flat terminal M8
5	棱型接线夹 P00-70/Prism clamp P00-70
6	镯形接线端子 /Clip terminal
7	U 型框式端子 KU00/U box terminal KU00
8	框式接线夹 F70/Elevator clamp F70
9	应用于尺寸 00 触头保护的机械式熔断器状态指示 / Mechanical fuse monitoring for application in contact cover size 00

低压高分断熔断器底座

NH fuse-bases

爆炸图 – 低压高分断熔断器底座，尺寸 1-3

Exploded drawing – NH fuse-base, size 1-3



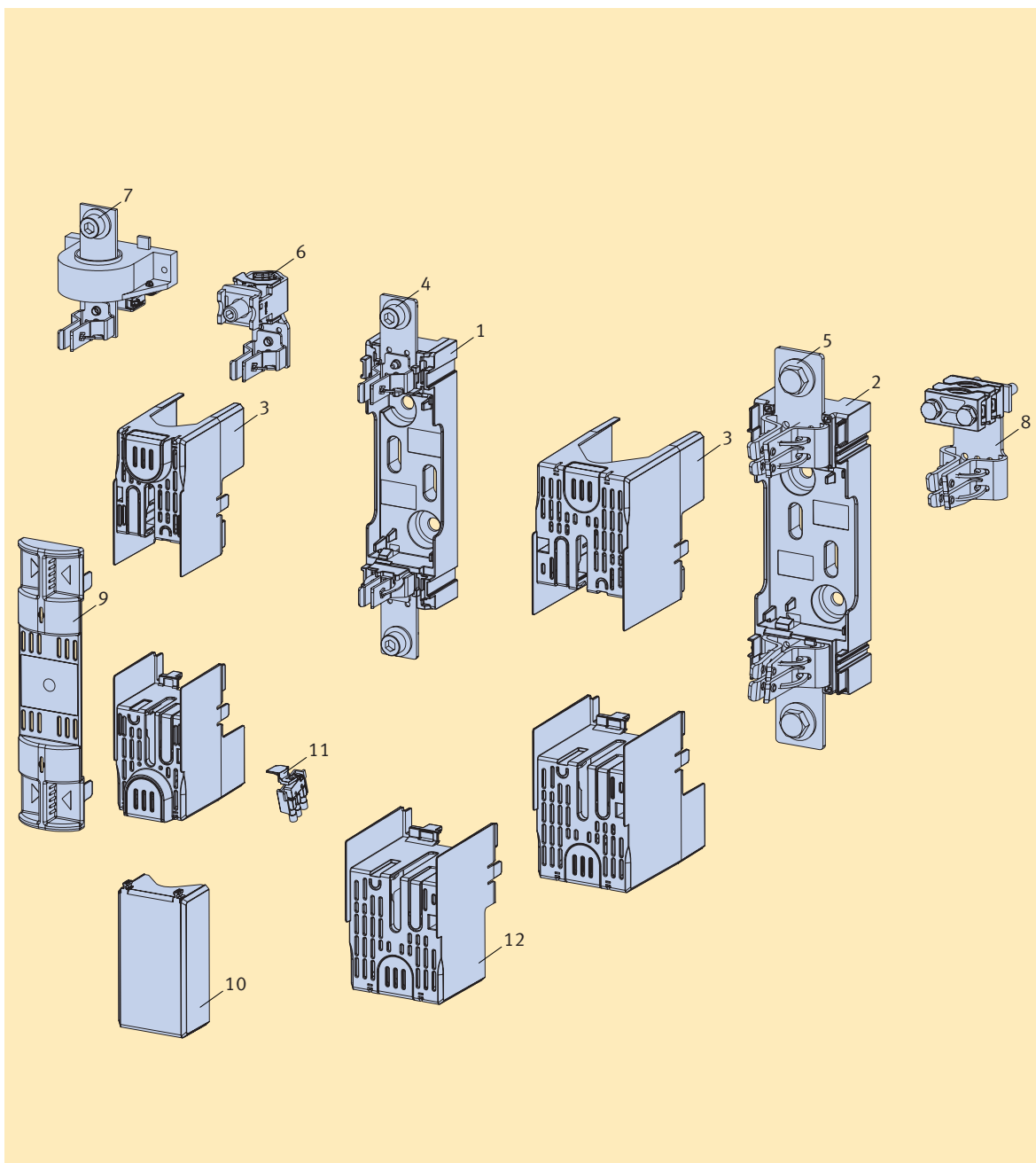
1	熔断器底座 U1/U2/U3...IGZ / <i>Fuse-base U1/U2/U3...IGZ</i>
2	中间隔板 (a) 侧壁 (b) / <i>Partition (a) or side wall (b)</i>
3	触头防护罩 H-U... / <i>Contact cover H-U...</i>
4	扁平端子 M10 / <i>Flat terminal M10</i>
5	镯形接线端子 / <i>Clip terminal</i>
6	棱型接线夹 / <i>Prism clamp</i>
7	双层棱型接线夹 / <i>Double prism clamp</i>
8	V 型框式端子 KM2G-F / <i>V box terminal KM2G-F</i>
9	机械式熔断器状态指示, 预装型号 .../K / <i>Mechanical fuse monitoring pre-assembled in type .../K</i>

低压高分断熔断器底座

NH fuse-bases

爆炸图 - 低压高分断熔断器底座, 尺寸 1XL-3L

Exploded drawing NH fuse-base, size 1XL-3L

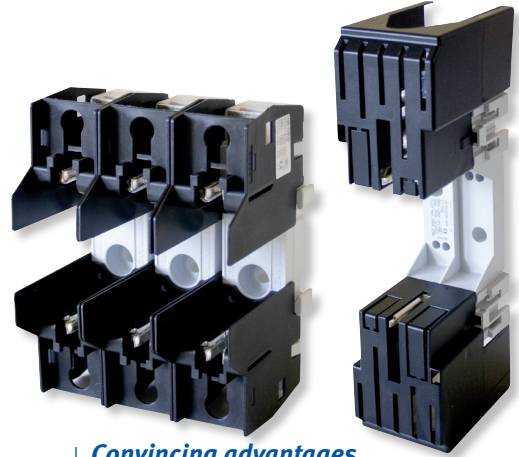


1	熔断器底座 / <i>Fuse-base</i> U1XL-1IGZ/1500..., U2XL-1IGZ/1500...
2	熔断器底座 / <i>Fuse-base</i> U3L-1IGZ/1500...
3	触头防护罩 .../H.../ <i>Contact cover .../H...</i>
4	扁平端子 M10/ <i>Flat terminal M10</i> (U1XL-1IGZ/1500..., U2XL-1IGZ/1500...)
5	扁平端子 M12/ <i>Flat terminal M12</i> (U3L-1IGZ/1500...)
6	V 型框式端子 KM2G/ <i>V box terminal KM2G</i> (U1XL-1IGZ/1500..., U2XL-1IGZ/1500...)
7	适用于通用电流互感器 (Phoenix Contact/LEM) <i>Prepared for universal current transducers (Phoenix Contact/LEM)</i>
8	双层棱型接线夹 P32/ <i>Double prism clamp P32</i> (U3L-1IGZ/1500...)
9	熔断体搭扣盖板 / <i>Gripping lug cover</i> A-U1XL-2XL, A-U3L
10	端子防护罩 / <i>Terminal cover</i> HA-U1XL-3L
11	机械式熔断器状态指示 / <i>Mechanical fuse monitoring</i> K-U1XL-3L
12	侧开式触头防护罩 / <i>Contact cover laterally open</i> HSO-U1XL, HSO-U2XL, HSO-3L

低压高分断熔断器底座

NH fuse-bases

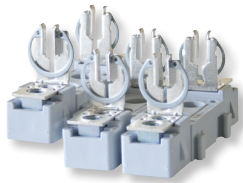
底板式安装的 低压高分断熔断器底座 NH fuse-bases for baseplate



值得信赖的优势

并列式安装

- NH00 号熔断器绝缘底座可以直接并列安装
- NH1 到 NH3 号熔断器绝缘底座通过中间隔板分隔



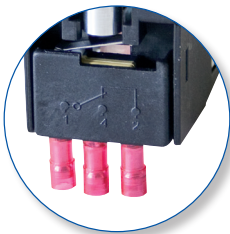
多种连接方式

- 除了扁平端子，金米勒直接接线夹也可供



机械式熔断器状态指示

- 通过微动开关传输熔断器动作信号，需配合带撞针“K”的熔断体来实现



额定电压最大 1500V

- 电压覆盖范围广
- 系统操作电压可达 1500V



Convincing advantages

Side-by-side mounting

- Isolating bases of NH00 fuse-bases can be directly connected side-by-side
- Isolating bases of fuse-bases NH1 to NH3 via available separate partition walls

Diversity of connections

- Besides standard flat terminal, field-proven JEAN MÜLLER direct terminal clamps are available

Mechanical fuse-monitoring

- Signalling of fuse-tripping via micro switch when fuse-links with striker "K" are applied

Rated voltages up to 1500V

- Wide range of voltages covered
- For systems with operating voltages up to 1500V



底板式安装 > 尺寸 00 > AC690V

Baseplate mounting > Size 00 > AC690V

极数 No. of poles	尺寸 Size	端子类型 Terminal version	线径 Connection [mm²]	I _n [A]	触头防护罩 Contact cover	包装 PU	型号 Type	物料号 Article-No.		
1	00	扁平端子 M8 <i>Flat terminal M8</i>	max. 95	160	是 /Yes	3	U00-1IG/H	U5311243		
		镏形接线端子 <i>Clip terminal</i>	1,5-70 (Cu)				U00-1IG/S/H	U5322246		
		扁平端子 M8 <i>Flat terminal M8</i>	max. 95				U00-1IG	U5311200		
		镏形接线端子 <i>Clip terminal</i>	1,5-70 (Cu)		否 /No	6	U00-1IG/S	U5322202		
		棱形接线夹 P00-70 <i>Prism clamp P00-70</i>	10-70 (Al/Cu)				U00-1IG/P0070	U5333204		
		框式接线夹 F70 <i>Elevator clamp F70</i>	1,5-70 (Al/Cu)				U00-1IGZ/F70	U5377324		
		U 型框式端子 KU00 <i>U box terminal KU00</i>	10-95 (Al/Cu)				U00-1IGZ/KU00/1	U5399306		
		U 型框式端子 KU00/2 <i>U box terminal KU00/2</i>	2x 10-50 (Al/Cu)				U00-1IGZ/KU00/2	U5399308		
		扁平端子 M8 <i>Flat terminal M8</i>	max. 95				是 /Yes	1	U00-3IG/H	U5311235
		镏形接线端子 <i>Clip terminal</i>	1,5-70 (Cu)						U00-3IG/S/H	U5322222
3	00	扁平端子 M8 <i>Flat terminal M8</i>	max. 95	160	否 /No	1	U00-3IG	U5311201		
		镏形接线端子 <i>Clip terminal</i>	1,5-70 (Cu)				U00-3IG/SW	U5311262		
		扁平端子 M8 <i>Flat terminal M8</i>	max. 95				U00-3IG/S	U5322203		
		镏形接线端子 <i>Clip terminal</i>	1,5-70 (Cu)				U00-3IG/S/SW	U5322263		
		棱形接线夹 <i>Prism clamp</i>	10-70 (Al/Cu)				U00-3IG/P0070	U5333205		
		框式接线夹 F70 <i>Elevator clamp F70</i>	1,5-70 (Al/Cu)				U00-3IGZ/F70	U5377325		
		U 型框式端子 KU00 <i>U box terminal KU00</i>	10-95 (Al/Cu)				U00-3IGZ/KU00/1	U5399307		
		U 型框式端子 KU00/2 <i>U box terminal KU00/2</i>	2x 10-50 (Al/Cu)		U00-3IGZ/KU00/2	U5399309				

低压高分断熔断器底座

NH fuse-bases



底板式安装 > 尺寸 00 > AC690V > 机械式熔断器状态指示

Baseplate mounting > Size 00 > AC690V > Mechanical fuse monitoring

极数 No. of poles	尺寸 Size	端子类型 Terminal version	线径 Connection [mm ²]	I _e [A]	触头防护罩 Contact cover	包装 PU	型号 Type	物料号 Article-No.
1	00	扁平端子 M8 <i>Flat terminal M8</i>	max. 95	160	是 /Yes	3	U00-1IG/K	U5311232
		镏形接线端子 <i>Clip terminal</i>	1,5-70 (Cu)				U00-1IG/S/K	U5322258
3	00	扁平端子 M8 <i>Flat terminal M8</i>	max. 95	160	是 /Yes	1	U00-3IG/K	U5311233
		镏形接线端子 <i>Clip terminal</i>	1,5-70 (Cu)				U00-3IG/S/K	U5322230

端子类型 / Terminal versions

<p>扁平端子 M8 <i>Flat terminal M8</i></p> 	<p>镏形接线端子 <i>Clip terminal</i></p> 	<p>棱形接线夹 P00-70 <i>Prism clamp P00-70</i></p> 
<p>框式接线夹 F70 <i>Elevator clamp F70</i></p> 	<p>U 型框式端子 KU00 <i>U box terminal KU00</i></p> 	<p>U 型框式端子 KU00/2 <i>U box terminal KU00/2</i></p> 



底板式安装 > 尺寸 1-3 > AC690V

Baseplate mounting > Size 1-3 > AC690V

极数 No. of poles	尺寸 Size	端子类型 Terminal version	线径 Connection [mm²]	I _e [A]	触头防护罩 Contact cover	包装 PU	型号 Type	物料号 Article-No.
1	1	扁平端子 M10 <i>Flat terminal M10</i>	max. 150	250	是 /Yes	2	U1-1IGZ/H	U1311301
		扁平端子 M10 <i>Flat terminal M10</i>	max. 150		否 /No		U1-1IGZ	U1311300
		镏形接线端子 <i>Clip terminal</i>	25-150 (Cu)				U1-1IGZ/S	U1322306
		棱形接线夹 <i>Prism clamp</i>	70-150 (Al/Cu)				U1-1IGZ/P1	U1333304
		双层棱形接线夹 <i>Double prism clamp</i>	2x 70-95 (Al/Cu)				U1-1IGZ/P12	U1344305
		V 型框式端子 KM2G-F <i>V box terminal KM2G-F</i>	25-240 (Al/Cu)				U1-1IGZ/KM2G-F	U1355303
	2	扁平端子 M10 <i>Flat terminal M10</i>	max. 240	400	是 /Yes	2	U2-1IGZ/H	U2311301
		扁平端子 M10 <i>Flat terminal M10</i>	max. 240		否 /No		U2-1IGZ	U2311300
		镏形接线端子 <i>Clip terminal</i>	25-240 (Cu)				U2-1IGZ/S	U2322306
		棱形接线夹 <i>Prism clamp</i>	120-240 (Al/Cu)				U2-1IGZ/P2	U2333304
		双层棱形接线夹 <i>Double prism clamp</i>	2x 120-150 (Al/Cu)				U2-1IGZ/P22	U2344305
		V 型框式端子 KM2G-F <i>V box terminal KM2G-F</i>	25-240 (Al/Cu)				U2-1IGZ/KM2G-F	U2355303
	3	扁平端子 M10 <i>Flat terminal M10</i>	max. 300	630	是 /Yes	2	U3-1IGZ/H	U3311301
		扁平端子 M10 <i>Flat terminal M10</i>	max. 300		否 /No		U3-1IGZ	U3311300
		镏形接线端子 <i>Clip terminal</i>	Flachband <i>Ribbon</i>				U3-1IGZ/S	U3322306
		棱形接线夹 <i>Prism clamp</i>	120-300 (Al/Cu)				U3-1IGZ/P3	U3333304
		双层棱形接线夹 <i>Double prism clamp</i>	2x 120-240 (Al/Cu)				U3-1IGZ/P32	U3344305
		V 型框式端子 KM2G-F <i>V box terminal KM2G-F</i>	25-240 (Al/Cu)				U3-1IGZ/KM2G-F	U3355303
				1				

低压高分断熔断器底座

NH fuse-bases



底板式安装 > 尺寸 1-3 > AC690V

Baseplate mounting > Size 1-3 > AC690V

极数 No. of poles	尺寸 Size	端子类型 Terminal version	线径 Connection [mm ²]	I _e [A]	触头防护罩 Contact cover	包装 PU	型号 Type	物料号 Article-No.
3	1	扁平端子 M10 <i>Flat terminal M10</i>	max. 150	250	否 /No	1	U1-3IGZ	U1311307
		镗形接线端子 <i>Clip terminal</i>	5-150 (Cu)				U1-3IGZ/S	U1322313
		棱形接线夹 <i>Prism clamp</i>	70-150 (Al/Cu)				U1-3IGZ/P1	U1333311
		双层棱形接线夹 <i>Double prism clamp</i>	2x 70-95 (Al/Cu)				U1-3IGZ/P12	U1344312
		V型框式端子 KM2G-F <i>V box terminal KM2G-F</i>	25-240 (Al/Cu)				U1-3IGZ/KM2G-F	U1355310
		扁平端子 M10 <i>Flat terminal M10</i>	max. 240				U2-3IGZ	U2311307
	2	镗形接线端子 <i>Clip terminal</i>	25-240 (Cu)	400			U2-3IGZ/S	U2322313
		棱形接线夹 <i>Prism clamp</i>	120-240 (Al/Cu)				U2-3IGZ/P2	U2333311
		双层棱形接线夹 <i>Double prism clamp</i>	2x 120-150 (Al/Cu)				U2-3IGZ/P22	U2344312
		V型框式端子 KM2G-F <i>V box terminal KM2G-F</i>	25-240 (Al/Cu)				U2-3IGZ/KM2G-F	U2355310
		扁平端子 M10 <i>Flat terminal M10</i>	max. 300				U3-3IGZ	U3311307
		镗形接线端子 <i>Clip terminal</i>	Flachband <i>Ribbon</i>				U3-3IGZ/S	U3322313
	3	棱形接线夹 <i>Prism clamp</i>	120-300 (Al/Cu)	630			U3-3IGZ/P3	U3333311
		双层棱形接线夹 <i>Double prism clamp</i>	2x 120-240 (Al/Cu)				U3-3IGZ/P32	U3344312
		V型框式端子 KM2G-F <i>V box terminal KM2G-F</i>	25-240 (Al/Cu)				U3-3IGZ/KM2G-F	U3355310



底板式安装 > 尺寸 1-3 > AC690V > 机械式熔断器状态指示

Baseplate mounting > Size 1-3 > AC690V > Mechanical fuse monitoring

极数 No. of poles	尺寸 Size	端子类型 Terminal version	线径 Connection [mm ²]	I _e [A]	触头防护罩 Contact cover	包装 PU	型号 Type	物料号 Article-No.
1	1	扁平端子 M10 <i>Flat terminal M10</i>	max. 150	250	是 /Yes	1	U1-1IGZ/K	U1311302
	2		max. 240	400			U2-1IGZ/K	U2311302
	3		max. 300	630			U3-1IGZ/K	U3311302
3	1		max. 150	250			U1-3IGZ/K	U1311309
	2		max. 240	400			U2-3IGZ/K	U2311309
	3		max. 300	630			U3-3IGZ/K	U3311309

端子类型 /Terminal versions

扁平端子 M10 <i>Flat terminal M10</i>	铜形接线端子 <i>Clip terminal</i>	棱形接线夹 <i>Prism clamp</i>	V型框式端子 KM2G-F <i>V box terminal KM2G-F</i>
			

低压高分断熔断器底座

NH fuse-bases

底板式安装 > 尺寸 00-3 > 3 极底座常用组合型号

Baseplate mounting > Size 00-3 > 3p assembly example

极数 No. of poles	尺寸 Size	描述 Description	包装 PU	型号 Type	物料号 Article-No.	数量 Qty.
3	00	扁平端子 M8, 单极本体 <i>Flat terminal M8, 1p basement</i>	6	U00-1IG	U5311200	3
		触头防护罩 <i>Contact cover</i>	6	HT-U00-IG/IGZ	U8540079	6
		中间隔板和侧壁 / <i>Partition and side wall</i>	8	TW-U00-IG/IGZ	U8530042	4
	00	扁平端子 M8, 单极本体 <i>Flat terminal M8, 1p basement</i>	6	U00-1IG	U5311200	3
		带集成中间隔板的触头防护罩 <i>Contact cover with integrated partition wall</i>	6	H-U00-IG/IGZ	U8540077	6
		熔断体搭扣盖板 <i>Gripping lug cover</i>	3	A-GU00-3	G8900000	3
	00	扁平端子 M8, 单极本体 <i>Flat terminal M8, 1p basement</i>	6	U00-1IG	U5311200	3
		带集成中间隔板的触头防护罩和熔断体搭扣盖板组合 <i>Contact cover with integrated partition wall and gripping lug cover</i>	3	A-U00	U8540125	3
		端子防护罩 <i>Terminal cover</i>	6	A-H/KU00/1	U8540084	6
	00	扁平端子 M8, 三极本体 <i>Flat terminal M8, 3p basement</i>	1	U00-3IG	U5311201	1
		触头防护罩 <i>Contact cover</i>	6	HT-U00-IG/IGZ	U8540079	6
		中间隔板和侧壁 <i>Partition and side wall</i>	8	TW-U00-IG/IGZ	U8530042	2
3	1	扁平端子 M8, 单极本体 <i>Flat terminal M8, 1p basement</i>	2	U1-1IGZ	U1311300	3
		防护罩 <i>Protector cover</i>	2	H-U1-IGZ	U8140115	6
		中间隔板 <i>Partition wall</i>	2	TW-U1IGZ	U8130053	2
		侧壁 <i>Side wall</i>	2	SW-U1-IGZ	U8130050	2
3	2	扁平端子 M8, 单极本体 <i>Flat terminal M8, 1p basement</i>	2	U2-1IGZ	U2311300	3
		防护罩 <i>Protector cover</i>	2	H-U2IGZ	U8240117	6
		中间隔板 <i>Partition wall</i>	2	TW-U2IGZ	U8230054	2
		侧壁 <i>Side wall</i>	2	SW-U2-IGZ	U8230051	2
3	3	扁平端子 M8, 单极本体 <i>Flat terminal M8, 1p basement</i>	2	U3-1IGZ	U3311300	3
		防护罩 <i>Protector cover</i>	2	H-U3IGZ	U8340116	6
		中间隔板 <i>Partition wall</i>	2	TW-U3IGZ	U8330055	2
		侧壁 <i>Side wall</i>	2	SW-U3-IGZ	U8330052	2



底板式安装 > 尺寸 1XL-3L > 1500V
Baseplate mounting > Size 1XL-3L > 1500V

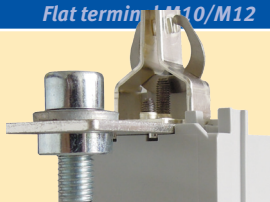

极数 No. of poles	尺寸 Size	端子类型 Terminal version	线径 Connection [mm ²]	I _e [A]	触头防护罩 Contact cover	包装 PU	型号 Type	物料号 Article-No.
1	NH1XL	扁平端子 M10 <i>Flat terminal M10</i>	240	250	是 /Yes	1	U1XL-1IGZ/1500/H	U1611300
		扁平端子 M10/ V 型框式端子 KM2G <i>Flat terminal M10/ V box terminal KM2G</i>	240/25-300 [Al/Cu]				U1XL-1IGZ/1500/H/F/KM2G	U1615301
	NH2XL	扁平端子 M10 <i>Flat terminal M10</i>	240	400			U2XL-1IGZ/1500/H	U2611300
		扁平端子 M10/ V 型框式端子 KM2G <i>Flat terminal M10/ V box terminal KM2G</i>	240/25-300 [Al/Cu]				U2XL-1IGZ/1500/H/F/KM2G	U2615301
	NH3L	扁平端子 M12 <i>Flat terminal M12</i>	300	630			U3L-1IGZ/1500/H	U3611300
		扁平端子 M12 <i>Flat terminal M12 with Me- chanical fuse monitoring</i>	300				U3L-1IGZ/1500/K	U3611306
		扁平端子 M12 双层棱形接线夹 P32 <i>Flat terminal M12/ Double prism clamp P32</i>	300/ 2x120-240 [Al/Cu]				U3L-1IGZ/1500/H/F/P32	U3614301

底板式安装 > 尺寸 1XL-3L > 1500V > 适用于通用电流互感器 *
Baseplate mounting > Size 1XL-3L > 1500V > Prepared for universal current transducers*

极数 No. of poles	尺寸 Size	端子类型 Terminal version	线径 Connection [mm ²]	I _e [A]	触头防护罩 Contact cover	包装 PU	型号 Type	物料号 Article-No.
1	NH1XL	扁平端子 M10 <i>Flat terminal M10</i>	240	250	是 /Yes	1	U1XL-1IGZ/1500/HSO/H/W	U1611302
	NH2XL	扁平端子 M10 <i>Flat terminal M10</i>		400			U2XL-1IGZ/1500/HSO/H/W	U2611302
	NH3L	扁平端子 M12 <i>Flat terminal M12</i>	300	630			U3L-1IGZ/1500/HSO/H/W	U3611302

*Phoenix Contact/LEM

端子类型 /Terminal versions

扁平端子 M10/M12 <i>Flat terminal M10/M12</i>	V 型框式端子 KM2G <i>V box terminal KM2G</i>
	

低压高分断熔断器底座

NH fuse-bases

附件 / Accessories

	描述 <i>Description</i>	尺寸 <i>Size</i>	包装 <i>PU</i>	型号 <i>Type</i>	物料号 <i>Article-No.</i>	页码 <i>Page</i>
	NH 熔断器插拔手柄 / NH fuse handle					
	适用于熔断体 NH000-3 <i>For fuse-links NH000-NH3</i>	000-3	1	GPSHE	U8950001	-
适用于熔断体 NH1XL-3L <i>For fuse-links NH1XL-3L</i>	1XL-3L	GP1200		U8950003	-	
	NH 熔断器插拔手柄带袖套 / NH fuse handle with sleeve					
	适用于熔断体 NH000-3 <i>For fuse-links NH000-NH3</i>	000-3	1	GPSHE/AI	U8950005	-
	触头防护罩, 适用于尺寸 00, AC690V, 底板式安装 <i>Contact cover for size 00, AC690V, baseplate mounting</i>					
	仅适用于中间隔板 / 侧壁 <i>Only for use with partition/side wall</i>	00	6	HT-U00-IG/IGZ	U8540079	-
	带集成中间隔板 <i>With integrated partition wall</i>			H-U00-IG/IGZ	U8540077	-
侧开式带集成中间隔板 <i>With integrated partition wall, lateral open</i>	3			HSO-U00-IG/IGZ	U8540078	-
	中间隔板和侧壁, 适用于尺寸 00, AC690V / Partition and side wall for size 00, AC690V					
	适用于底板式安装 <i>For baseplate mounting</i>	00	8	TW-U00-IG/IGZ	U8530042	-
	熔断体搭扣盖板, 适用于尺寸 00, AC690V, 底板式安装 <i>Gripping lug cover for size 00, AC690V, baseplate mounting</i>					
	适用于触头防护罩 <i>For application in contact cover</i>	00	3	A-GU00-3	G8900000	-
	机械式熔断器状态指示 / Mechanical fuse monitoring					
	适用于触头防护罩 <i>For application in contact cover</i>	00	1	K-U00-IG/IGZ*	U8520013	-
	1XL-3L	KU1XL-3L		U8320023	-	
* 没有与 U 型端子 KU00 整合 / *Not in combination with U terminal KU00						
	防护罩, 适用于尺寸 1-3, AC690V, 底板式安装 <i>Protective cover for size 1-3, AC690V, baseplate mounting</i>					
	适用于 / For U1-...IGZ	1	2	H-U1IGZ	U8140115	-
	适用于 / For U2-...IGZ	2		H-U2IGZ	U8240117	-
适用于 / For U3-...IGZ	3	H-U3IGZ		U8340116	-	

描述 <i>Description</i>	尺寸 <i>Size</i>	包装 <i>PU</i>	型号 <i>Type</i>	物料号 <i>Article-No.</i>	页码 <i>Page</i>	
中间隔板和侧壁，适用于尺寸 1-3, AC690V, 底板式安装 <i>Partition and side wall for size 1-3, AC690V, baseplate mounting</i>						
 中间隔板，适用于 / <i>Partition wall for U1-...IGZ</i>	1	2	TW-U1IGZ	U8130053	-	
中间隔板，适用于 / <i>Partition wall for U2-...IGZ</i>	2		TW-U2IGZ	U8230054	-	
中间隔板，适用于 / <i>Partition wall for U3-...IGZ</i>	3		TW-U3IGZ	U8330055	-	
侧壁，适用于 / <i>Side wall for U1-...IGZ</i>	1		SW-U1-IGZ	U8130050	-	
侧壁，适用于 / <i>Side wall for U2-...IGZ</i>	2		SW-U2-IGZ	U8230051	-	
侧壁，适用于 / <i>Side wall for U3-...IGZ</i>	3		SW-U3-IGZ	U8330052	-	
熔断器底座保护罩，带有符号“禁止通断” / <i>Fuse-base cover with symbol “Do not switch”</i>						
尺寸 00 / <i>Size 00</i>	00	10	SZ00-R	U8540095	-	
尺寸 00 带端子防护罩 <i>Size 00 with terminal cover</i>			SZ00/H-R	U8540097	-	
尺寸 1-3 / <i>Size 1-3</i>	1-3		SZ123-R	U8940098	-	
尺寸 1-3 带端子防护罩 <i>Size 1-3 with terminal cover</i>			SZ123/H-R	U8940100	-	
熔断体搭扣盖板，和触头防护罩配套使用 / <i>Gripping lug cover for application in contact cover</i>						
适用于熔断器底座 1500V <i>For NH fuse-base 1500V</i>	1XL, 2XL		1	A-U1XL-2XL	U8940127	-
	3L	A-U3L		U8940128	-	
端子防护罩 / <i>Terminal cover</i>						
适用于熔断器底座 1500V <i>For NH fuse-base 1500V</i>	1XL-3L	1	HA-U1XL-3L	U8940129	-	
侧开触头防护罩 / <i>Contact cover laterally open</i>						
适用于熔断器底座 1500V <i>For NH fuse-base 1500V</i>	1XL	1	HSO-U1XL	U8140132	-	
	2XL		HSO-U2XL	U8240133	-	
	3L		HSO-U3L	U8340134	-	

低压高分断熔断器底座

NH fuse-bases

技术参数 / Technical data

型号 Type				U00-...	U1-...			
尺寸 / Size				NH00	NH1			
电气参数 Electrical characteristics	额定电压 / Rated voltage	U_n	V	AC690	AC690			
	额定电流 / Rated current	I_n	A	160	250			
	带熔断器的约定发热电流 Conv. free air thermal current with fuse-links	I_{th}	A	160	250			
	带隔离刀片的约定发热电流 Conv. free air thermal current with solid links	I_{th}	A	210	325			
	额定频率 / Rated frequency	–	Hz	40-60	40-60			
	单位熔断器最大允许耗散功率 Max. permis. power dissipation per fuse-link	P_a	W	12	32			
	螺栓 / Screw				M8	M10		
	扁平端子 Flat terminal	电缆接头 / Cable lug (DIN 46235)			mm ²	1x 10-95 (最大 / max. 25mm 宽 / Width)	25-150	
扁平端子 Flat termination				mm x mm	20x10	30x10		
额定扭矩 Rated torque				Nm	12-15	30-35		
接线端子 Cable terminal				–				
端子 Terminal	线径 Cross-section			mm ²	○: 1,5-70 Cu □: 6x9x0,8	○: 25-150 Cu □: 6x16x0,8		
	额定扭矩 Rated torque			Nm	S00	S1	2,6 9,5	
	线径 Cross-section			mm ²	P00-70	P1	10-70 Al/Cu	70-150 Al/Cu
	额定扭矩 Rated torque			Nm			2,6 4,5	
	线径 Cross-section			mm ²	F70	P12	1,5-70 Al/Cu	2x 70-90 Al/Cu
	额定扭矩 Rated torque			Nm			2,6 4,5	
	线径 Cross-section			mm ²	KU00	KM2G-F	10-95	25-240
	额定扭矩 Rated torque			Nm			15 32	
	线径 Cross-section			mm ²	KU00/2	–	2x 10-50	–
	额定扭矩 Rated torque			Nm			15 –	

注释 / Legend

○: 圆型导线 / Round conductor

□: 扁平铜排 / Strip conductor

型号 Type				U00-...	U1-...	
防护等级 Degree of protection	正面, 安装适合 Front side, device fitted	工作环境 Operating condition	-	-	IP00	IP00
工作环境 Operating conditions	环境温度 * / Ambient temperature*		T _{amb}	°C	-25 至 / to +55	
	额定工作方式 / Rated operating mode		-	-	连续工作 / Uninterrupted duty	
	操作 / Actuation		-	-	-	
	安装位置 / Mounting position		-	-	水平, 垂直 / Vertical, horizontal	
	海拔 / Altitude		-	m	高达 2000 / Up to 2000	
	污染等级 / Pollution degree		-	-	3	
过压等级 / Overvoltage category		-	-	III		

* 35°C 时正常使用, 55°C 时工作电流需降容使用 / 35°C normal temperature, at 55°C with reduced operating current

低压高分断熔断器底座

NH fuse-bases

型号 Type				U2-...		U3-...		
	尺寸 / Size	-	-	NH2		NH3		
电气参数 Electrical characteristics	额定电压 / Rated voltage	U_n	V	AC690		AC690		
	额定电流 / Rated current	I_n	A	400		630		
	带熔断体的约定发热电流 Conv. free air thermal current with fuse-links	I_{th}	A	400		630		
	带隔离刀片的约定发热电流 Conv. free air thermal current with solid links	I_{th}	A	520		819		
	额定频率 / Rated frequency	-	Hz	40-60		40-60		
	单位熔断器最大允许耗散功率 Max. permis. power dissipation per fuse-link	P_a	W	45		60		
接线端子 Cable terminal	扁平端子 Flat terminal	螺栓 / Screw	-	M10		M10		
		电缆接头 / Cable lug (DIN 46235)	mm ²	25-240		25-300		
		扁平端子 Flat termination	-	mm x mm	30x10		40x10	
		额定扭矩 Rated torque	-	Nm	30-35		30-35	
	接线端子 Cable terminal	线径 Cross-section	额定扭矩 Rated torque	mm ²	S2	○ : 25-240 Cu □ : 10x16x0,8	S3	□ : 11x21x0,8
		线径 Cross-section	额定扭矩 Rated torque	mm ²	P2	120-240 Al/Cu	P3	120-300 Al/Cu
	端子 Terminal	线径 Cross-section	额定扭矩 Rated torque	mm ²	P22	2x 120-150 Al/Cu	P32	2x 120-240 Al/Cu
		线径 Cross-section	额定扭矩 Rated torque	mm ²	KM2G-F	25-240	KM2G-F	25-240
	线径 Cross-section	额定扭矩 Rated torque	mm ²	-				
	线径 Cross-section	额定扭矩 Rated torque	Nm	-				

注释 / Legend

○: 圆型导线 / Round conductor

□: 扁平铜排 / Strip conductor

型号 Type				U2-...		U3-...	
防护等级 Degree of protection	正面, 安装适合 Front side, device fitted	工作环境 Operating condition	-	-	IP00		IP00
工作环境 Operating conditions	环境温度 * / Ambient temperature *		T _{amb}	°C	-25 至 / to +55		
	额定工作方式 / Rated operating mode		-	-	连续工作 / Uninterrupted duty		
	操作 / Actuation		-	-	-		
	安装位置 / Mounting position		-	-	水平, 垂直 / Vertical, horizontal		
	海拔 / Altitude		-	m	高达 2000 / Up to 2000		
	污染等级 / Pollution degree		-	-	3		
过压等级 / Overvoltage category		-	-	III			

* 35°C 时正常使用, 55°C 时工作电流需降容使用 / 35°C normal temperature, at 55°C with reduced operating current

低压高分断熔断器底座

NH fuse-bases

型号 Type				U1XL-1IGZ/ 1500/...	U2XL-1IGZ/ 1500/...	U3L-1IGZ/ 1500/...				
	尺寸 /Size	-	-	NH1XL	NH2XL	NH3L				
电气参数 Electrical characteristics	额定电压 /Rated voltage	U _n	V	1500	1500	1500				
	额定电流 /Rated current	I _n	A	250	400	630				
	带熔断体的约定发热电流 Conv. free air thermal current with fuse-links	I _{th}	A	200	315	630				
	带隔离刀片的约定发热电流 Conv. free air thermal current with solid links	I _{th}	A	325	400	1000				
	额定频率 /Rated frequency	-	Hz	40-60	40-60	40-60				
	单位熔断器最大允许耗散功率 Max. permis. power dissipation per fuse-link	P _a	W	35	35 ¹⁾	70				
接线端子 Cable terminal	扁平端子 Flat terminal	螺栓 /Screw	-	-	M10	M10	M12			
		电缆接头 /Cable lug (DIN 46235)	-	mm ²	25-240	25-240	25-300			
		扁平端子 Flat termination	-	mm x mm	30x10	30x10	40x10			
		额定扭矩 Rated torque	-	Nm	30-35	30-35	35-40			
	端子 Terminal	线径 Cross-section	-	mm ²	KM2G	25-300	KM2G	25-300	P32	2x 120-240
		额定扭矩 Rated torque	-	Nm		32		32		11
防护等级 Degree of protection	正面, 安装适合 Front side, device fitted	工作环境 Operating conditions	-	-	IP00	IP00	IP00			
		使用熔断体搭扣盖板 A-U, (单独供货)/Gripping lug cover A-U... (available separately) applied	-	-	IP2X	IP2X	IP2X			
工作环境 Operating conditions	环境温度 ²⁾ Ambient temperature ²⁾	T _{amb}	°C	-25 至 /up to +55						
	额定工作方式 Rated operating mode	-	-	连续工作 Uninterrupted duty						
	操作 /Actuation	-	-	-						
	安装位置 /Mounting position	-	-	水平, 垂直 /Vertical, horizontal						
	海拔 /Altitude	-	m	高达 2000 /Up to 2000						
	污染等级 Pollution degree	-	-	3						
	过压等级 Overvoltage category	-	-	III						

1) 安装 gPV 熔断体时, 最大为 250A: 46W./With application of gPV fuse-links max. 250A: 46W.

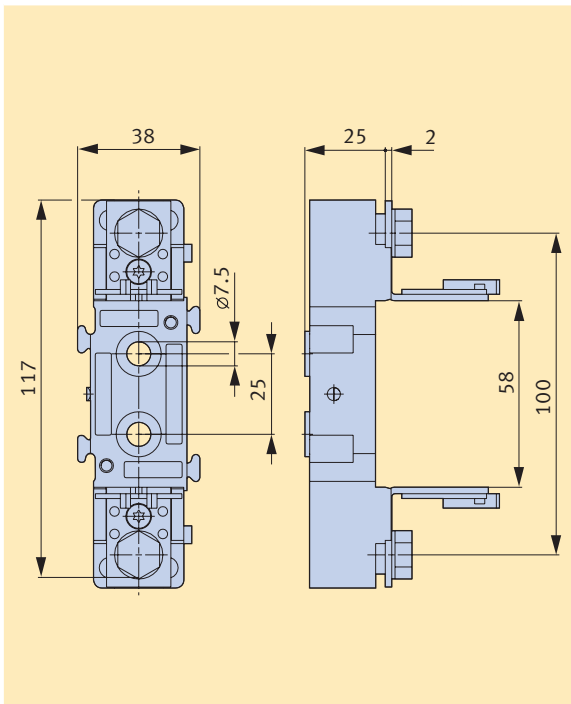
2) 35°C 时正常使用, 55°C 时工作电流需降容使用 /35°C normal temperature, at 55°C with reduced operating current.

低压高分断熔断器底座

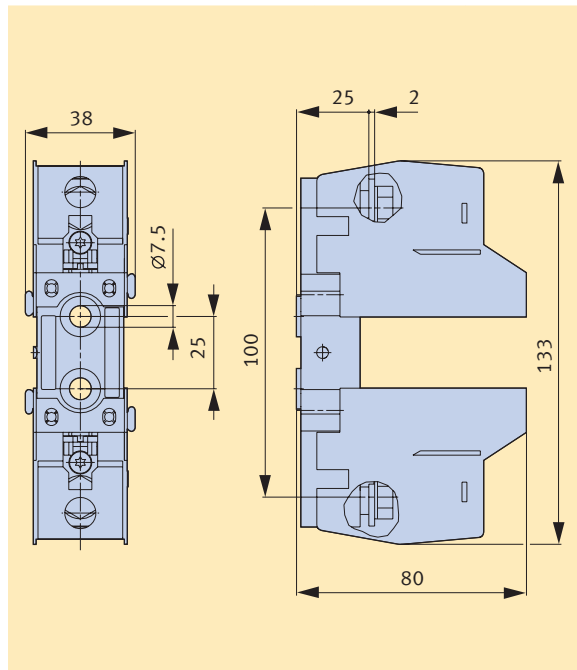
NH fuse-bases

尺寸 / Dimensions

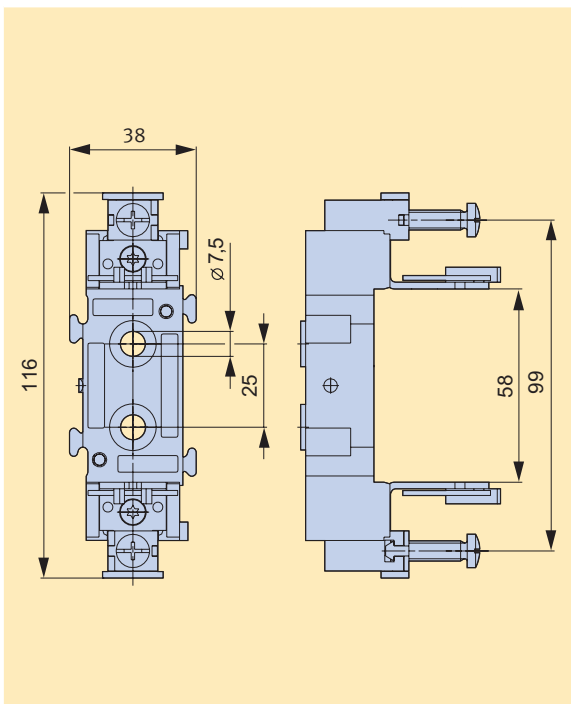
型号 Type	物料号 Article-No.	页码 Page
U00-1IG/...	-	U-11



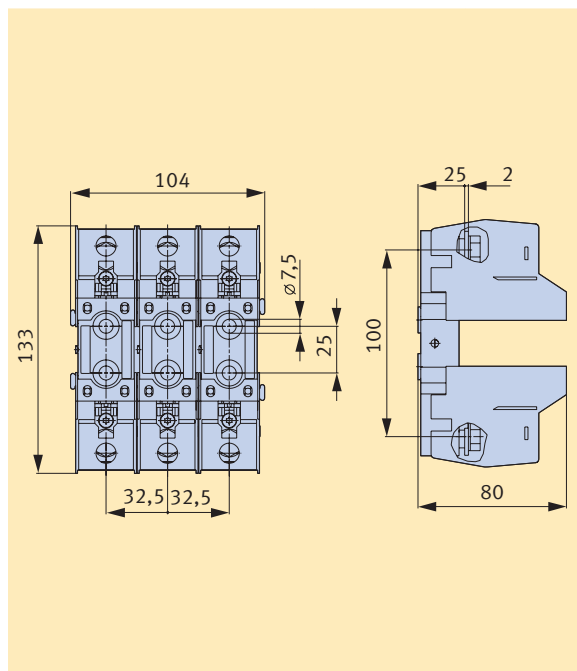
型号 Type	物料号 Article-No.	页码 Page
U00-1IG/.../H	-	U-11
U00-1IG/.../K	-	U-12



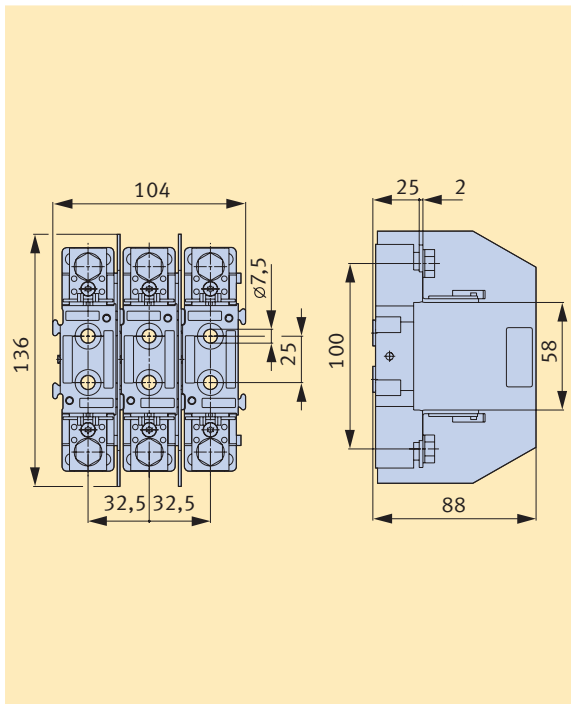
型号 Type	物料号 Article-No.	页码 Page
U00-1IGZ/...	-	U-11



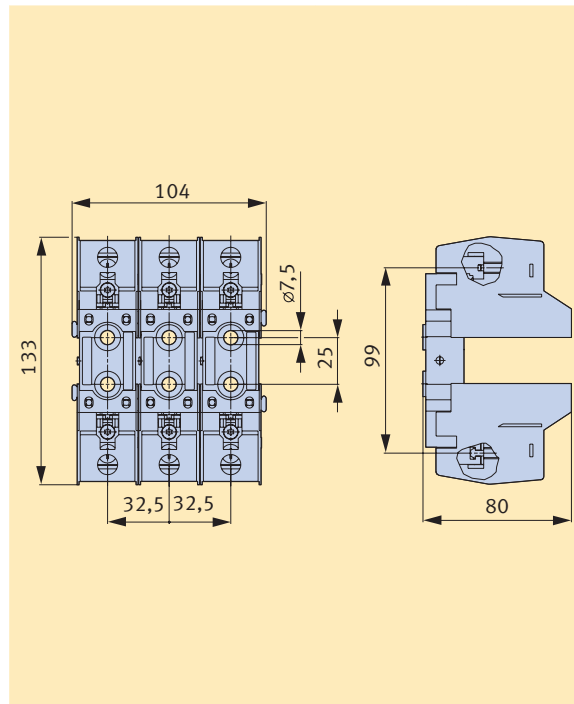
型号 Type	物料号 Article-No.	页码 Page
U00-3IG/.../H	-	U-11
U00-3IG/.../K	-	U-12



型号 Type	物料号 Article-No.	页码 Page
U00-3IG/...	-	U-11



型号 Type	物料号 Article-No.	页码 Page
U00-3IGZ/F70	-	U-11



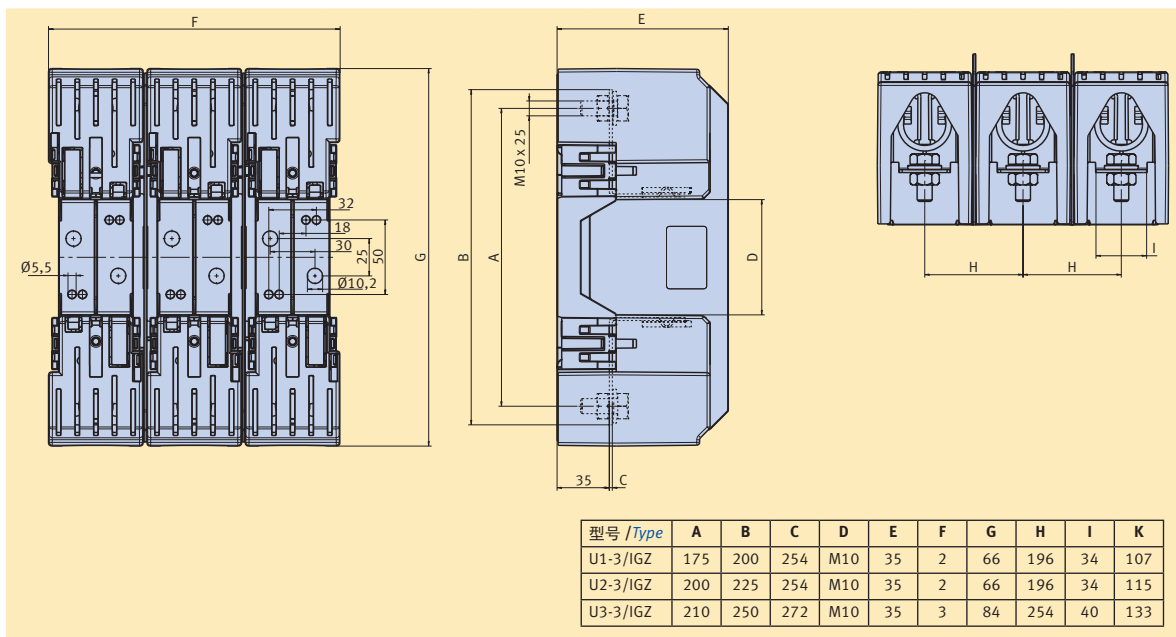
型号 Type	物料号 Article-No.	页码 Page	型号 Type	物料号 Article-No.	页码 Page
U1-1IGZ...	-	U-13	U1-1IGZ/K	U1311302	U-15
U2-1IGZ...	-	U-13	U2-1IGZ/K	U2311302	U-15
U3-1IGZ...	-	U-13	U3-1IGZ/K	U3311302	U-15

型号 /Type	A	B	C	D	E	F	H	I	K
U1-1/IGZ	175	200	254	M10	35	2	64	34	92
U2-1/IGZ	200	225	254	M10	35	2	64	34	102
U3-1/IGZ	210	250	273	M10	35	3	78	40	112

低压高分断熔断器底座

NH fuse-bases

型号 Type	物料号 Article-No.	页码 Page	型号 Type	物料号 Article-No.	页码 Page
U1-3IGZ...	-	U-14	U1-3IGZ/K	U1311309	U-15
U2-3IGZ...	-	U-14	U2-3IGZ/K	U2311309	U-15
U3-3IGZ...	-	U-14	U3-3IGZ/K	U3311309	U-15



型号 Type	物料号 Article-No.	页码 Page
U1XL-1IGZ/1500...	U161...	U-17
U2XL-1IGZ/1500...	U261...	U-17
U3L-1IGZ/1500...	U361...	U-17

