



目录 CONTENTS

页码			Page
I	关于我们	<i>About us</i>	<i>I</i>
N	NH熔断器	<i>NH fuse-links</i>	<i>N</i>
p	光伏应用熔断器	<i>FUSES FOR PHOTOVOLTAIC APPLICATIONS</i>	<i>p</i>
R	半导体保护熔断器	<i>Fuse-links for semiconductor protection</i>	<i>R</i>
U	NH 熔断器底座	<i>NH fuse-bases</i>	<i>U</i>
D	D-型熔断器	<i>D-type fuses</i>	<i>D</i>
Q	IKUS 高压高分断熔断器	<i>IKUS HV HRC fuse-links</i>	<i>Q</i>
Z	附录	<i>Appendix</i>	<i>Z</i>



关于我们 / About us



金米勒公司始建于1897年, 当时电力应用尚处于较早的起步阶段。公司以熔断器的研发和生产起家, 时至今日, 已经发展并拥有了数百名员工及现代化的生产流水线, 主要生产加工熔断器隔离开关、低压开关配件、电缆分支箱、电气元器件、电子监控系统以及电能管理系统等一系列的产品。

我们是
电力行业
工业用户
自动化控制系统厂商
最忠实的合作伙伴

金米勒公司的产品不仅满足了普通电力用户的需求, 同时也能应对某些特殊应用场合的严格挑战。我们丰富的产品开发经验和专业领域独到的技术特色结合公司百年的发展历程, 将更好的体现出金米勒公司一直以来不变的信念: **安全为本**



Jean Müller



Adam Müller

JEAN MÜLLER was founded in 1897, when the applications of electricity were still in their very early days.

The company chose as its basic activity the development and manufacture of fuses.

Today, the factory has several hundred employees and works with modern production methods to manufacture fused switchgear, low voltage switchgear combinations, current distribution components, electrical system components, electronic monitoring systems and electronic energy management systems.

We are partners to
Electricity supply companies,
Industry
Control system manufacturers

Our fully developed product knowledge and our comprehensive technical know-how for specific requirements and applications, combined with the experience of a company, that have been growing for more than 100 years, are our criteria for
THE NAME FOR SAFETY.



H.J. Müller



Dr. Bernhard Müller



专业专长 PROFESSION

产品：

金米勒公司的产品遵照国际IEC标准及其它相关标准，通过可靠的测试和认证，以确保产品的高品质，公司质量体系认证符合ISO9001标准。

方案：

我们的专长是开发生产涉及整个工业体系的输配电，建筑体系输配电，并提供特殊需求群体的专用解决方案。

服务：

我们为客户提供特殊应用场合的专有技术咨询服务。百年以上的经验积累及专业领域的技术沉淀，包括世界范围特殊案例的开发经历，能为您提供从咨询到生产全方面最完善的优质服务。

在德国、欧洲及世界各地其它国家，我们延伸的服务网络可以为您提供永久技术支持和服务。同时客户可以通过EDI系统预订我们的产品。技术参数、产品图纸及新品信息会适时地更新在金米勒公司的官网

www.jeanmueller.de

Products

Our tried and tested products comply with the international IEC standards and with the relevant national standards. They are manufactured in conformity with the highest quality requirements, and our quality management system is certified according to DIN EN ISO 9001.

Solutions

Our profession is the development and manufacture of products suitable for the entire electrical power distribution system in industry, within the power supply grid and in buildings. We also provide customized solutions for specific customer applications.

Service

We offer to our customers specialized technical consulting tailored to their specific applications. Our more than 100 years of experience and technical know-how, including knowledge of specific national requirements worldwide, provide a solid basis of competence that spans from the consulting phase to manufacture and subsequent customer service.

We remain permanently available to our customers by means of our extensive service network – in Germany, Europe and other countries of the world. Our service provides also the facility to order our products electronically via EDI. The data sheets, the dxf drawings and the product news are available for you around-the-clock on our homepage www.jeanmueller.de.





工业配电用户

我们配电产品应用于工业用户的各个领域，大型建筑、办公中心、工厂、船舶、航空、以及其它一些需要过流保护的场所。对于开关柜或控制柜等盘柜厂用户，我们同时也提供了最新标准的SASIL及COSMO配电系统产品。

电力行业用户

我们的配电产品覆盖世界范围电力部门的需求。应用领域包括自电站到家庭用户各个环节的公共电网系统。

电子系统

我们的电能分析产品通过电子系统提供用户全面的能源管理方案。该产品通过数据采集、数据显示、数据监控、数据评估等诸多环节，为工业用户及电力行业用户提供最全范围的能源管理系统。

Current distribution for industrial applications

Our current distribution components are used for electrical power supply in industrial applications, large buildings, office centres, factories, ships, airports and everywhere where protection against overload is essential.

For switchgear and controlgear panel builders, we are setting new standards with our SASIL and COSMO distribution systems.

Power distribution for electricity supply companies

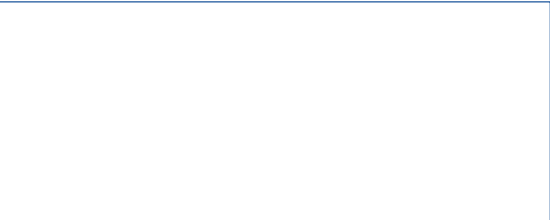
The "Power Distribution" product line covers all the requirements of electricity supply companies worldwide. The field of application is the public power supply system, including current distribution all the way from power station to house service connection.

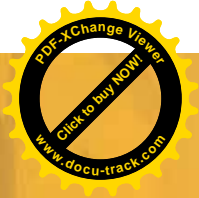
System electronics

Our "Powerlizer" product family provides system electronics for energy management. The "Powerlizer" range covers the full spectrum of products required for the acquisition, display, monitoring and evaluation of measurement data in the field of power distribution for industrial applications and the public power supply network.



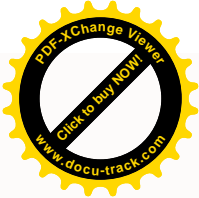
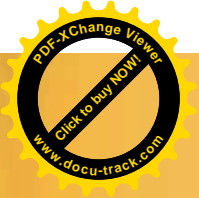
应用领域 APPLICATIONS





NH熔断器





JEAN MÜLLER 
THE NAME FOR SAFETY

N F SE IN S





NH熔断器 / NH fuse-links

NH 熔断器 NH fuse-links



NH熔断器是为电气安装及其设备而设立的宽范围应用的电气保护产品

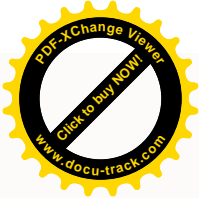
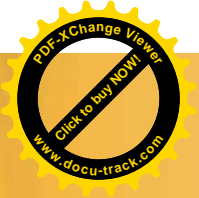
熔断器的应用有效避免人身伤害及物理破坏, 因而可以有效提升人身和操作安全, 支持供电系统的可靠性

标准特性技术参数和尺寸提供适配的解决方案无须复杂的单独计算

NH fuse-links are established for protection of electrical installations and equipment and common for a wide area of applications.

By means of their application personal injury and physical damage can be prevented. Therewith they notably improve personal and operational safety and support the quality of supply and reliability of the mains.

Standardized characteristics, technical data and dimensions offer adapted solutions without complex individual calculations.



目录

Contents

页码			Page
N-2	简介	<i>Introduction</i>	N-2
N-4	NH熔断器 使用等级gG	<i>NH general purpose fuse-links utilization category gG</i>	N-4
N-28	NH熔断器 变压器保护 使用等级gTr	<i>NH general purpose fuse-links utilization category gTr for transformer protection</i>	N-28
N-34	NH熔断器 电动机保护 使用等级aM	<i>NH general purpose fuse-links utilization category aM for motor circuit protection</i>	N-34
N-44	直流应用NH熔断器	<i>NH fuse-links for DC applications</i>	N-44
N-54	安全操作熔断器	<i>Safe Work fuse-links</i>	N-54
N-58	带互感器NH熔断器	<i>NH metering fuse-links</i>	N-58



NH 熔断器

NH fuse-links

产品定义

NH 低压高分断能力熔断器分别遵照执行国际标准IEC60269和德国标准DIN EN60269-1 DIN VDE0636-2.

它们的应用目录分类是gG和aM, 此外还有遵照DIN VDE0636-2011的gTr熔断器, 也有一些特殊用途的熔断器。

应用领域

- NH熔断器应用类别从gG交流400V到1200V用于线缆的过载和短路保护, 此外还可用于电气设备和安装的保护。
- gTr熔断器是为变压器低压侧专门设计的400V保护产品, aM类的马达保护应用电压可做到690V
- 直流应用保护是各种特殊用途专门设计使用的产品从直流80V到直流440V。
- 安全作业产品熔断器对故障产生点显著的熄弧作用, 为现场带电操作人员的人身安全做出了重要贡献。
- 低压回路的本地测量通过电流互感器和双金属插槽的仪表实现

产品优势

金米勒熔断器提供高分断能力和强限流能力以及低允通能量特性, 选好的熔断器不能调整和变更电气参数。

有效避免不匹配和功能失效。功能和特性可以维持多年不变。

Product definition

NH LV HRC fuse links conform to the international standard IEC 60269 respectively the german standards DIN EN 60269-1 and DIN VDE 0636-2.

They are available in utilization categories gG (former gL) and aM. In addition fuse-links are provided with utilization category gTr according to DIN VDE 0636-2011 as well as various special purpose fuses.

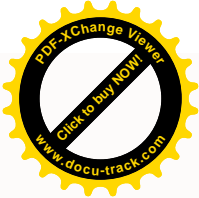
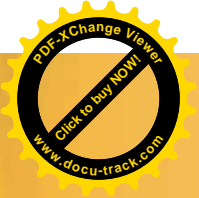
Field of application

- NH fuse-links utilization category gG for AC400V-AC1200V are preferred for the protection of cables and lines against overload and short circuit. Beyond that they can be applied for protection of equipment and installations.
- gTr fuse-links are especially designed for the protection of transformers on the low voltage side at AC400V, the utilization category aM for motor protection up to AC690V.
- The protection of DC applications can be achieved with various special purpose types from DC80V up to DC440V.
- Safe work fuse-links can make a significant contribution to personal safety when working on live circuits by considerably reducing effects of an arc at the fault location.
- For local measurements in low voltage circuits metering fuse-links with respective clip-on current transformers and bimetallic meters are applied.

Product advantages

JEAN MÜLLER NH fuse-links offer a high breaking capacity and an extensive limitation of short circuit current and let-through energy when interrupting currents.

Performance data of installed fuses cannot be altered or adjusted, therefore mismatching and malfunctioning is prevented. Function and characteristics remain unchanged over decades.



高品质特性确保熔断器高可靠性，高等级材料确保技术参数长久的不变性；熔体采用抗老化材料，熔体表面抗腐蚀处理，触头表面镀银，确保长期使用功耗最优。双指示设计应用可选。减少了存贮的需要。

高品质特性确保熔断器高可靠性，高等级材料确保技术参数长久的不变性；熔体采用抗老化材料，熔体表面抗腐蚀处理，触头表面镀银，确保长期使用功耗最优。

双指示设计应用可选。减少了存贮的需要。

产品设计

尺寸设计遵照DIN43620, DINVDE0636-2和IEC60269-2, 所有尺寸可用; 1200V产品按照标准调整。

熔体是铜条或银条, 全范围熔断器过载时由焊点开始熔断, 石英砂熄弧。

绝缘体由特殊材质的高等级氧化铝陶瓷体组成, 触头刀片镀银提供良好的导电特性。

绝缘端盖标识ISM与搭扣绝缘; 熔断器状态的双指示符合相关标准; 也提供顶部指示和中间指示两种单独的指示方式。

如果在指示端接机械联动指示装置NH熔断器和底座可选用带撞击器的熔断器

High production quality guarantee reliability of the fuse-link, high-grade materials ensure consistent technical characteristics over a long period of time. Non-ageing materials are used for melting elements accordingly.

NH fuse-links offer increased protection against corrosion through a special surface treatment, contact surfaces are silver plated. Power dissipation values of the melting elements have been optimised during long-time research and development.

The design of the combination indicator allows optional application and reduces the need for stock-keeping.

Product design

Dimensions are according DIN 43620, DIN VDE 0636-2 respectively IEC 60269-2, all defined sizes are available. The dimensions for the 1200V fuse-links are adapted to the standards.

Melting elements are produced from copper or silver strips. Full-range fuses feature an overload restriction with solder. Quartz sand is used as extinguishing agent.

The isolating body consists of steatite, for special types high-grade aluminium oxide ceramics will be applied.

The surface of the contact blades is galvanically silver plated and therefore provides ideal contact characteristics. Cover plates are manufactured from non-magnetic metal, where the "ism" type features plastic covers with integrated isolated gripping lugs.

For signalling the fuse trip the combi indicator (top and centre indicator) is available as standard, single types are still provided either with top indicator (indicator spring on top cover) or with centre indicator (red indicator in the centre of isolating body). If the fuse trip should be monitored with a mechanical fuse monitoring in NH fuse-base or switch-disconnector, types with striker are available.

NH熔断器
NH fuse-links

光伏熔断器
Fuses for
photovoltaic
applications

半导体保护熔断器
Fuse-links for
semiconductor
protection

NH熔断器底座
NH fuse-bases

D型熔断器
D-type fuses

高压熔断器
IKUS HV HRC
fuse-links

附录
Appendix



NH通用保护gG类熔断器

NH general purpose fuse-links utilization category gG

产品优势 / Convincing advantages



双指示熔断器

- 顶部和中央双指示功能
- 可靠的熔断状态指示
- 存储方式简单



绝缘端盖

- ISM标识的是端盖和搭扣绝缘
- 熔断器底座或开关防触电保护
- 绝缘材质采用耐高温材质



高分断能力

- 500V分断能力到120kA
- 690V分断能力到100kA



额定电压可到1200V

- 宽电压应用范围
- 400V产品比500V产品功耗节省20%
- 系统操作电压可达交流1200V

Combi indicator

- Combines function of top and centre indicator
- Reliable indicating of fuse-trip independent from installation
- Simplified stock-keeping

Isolated gripping lugs

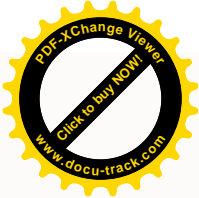
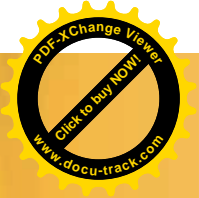
- "ism" type combines isolated cover plates with isolated gripping lugs
- Protection against accidental contact when applied in open fuse-bases or fuseways
- Isolated cover plates made from high temperature resistant plastics

High Breaking capacity

- Rated breaking capacity up to 120kA (500V)
- 690V fuse-links available with breaking capacity 100kA

Rated voltages up to AC1200V

- Wide range of voltages covered
- Fuse-links 400V have up to 20% lower power dissipation than common 500V types
- For systems with operating voltages up to AC1200V



使用类别gG、AC400V、双指示器 / Utilization category gG AC400V with combi indicator

U _n	尺码 Size	I _n [A]	指示器 Indicator	耗散功率 Power dissipation P _n [W]	包装 PU	带电搭扣 Live gripping-lugs		绝缘搭扣 Isolated gripping-lugs	
						型号/ Type	订货号 Article-No.	型号 / Type	订货号 Article-No.
400V	000	2	双指示器 Combi indicator	0,7	3	M000GL2/4	N5000905	M000GL2/4/ISM	N5000907
		4		0,7		M000GL4/4	N5001205	M000GL4/4/ISM	N5001207
		6		0,8		M000GL6/4	N5001405	M000GL6/4/ISM	N5001407
		10		1,1		M000GL10/4	N5001705	M000GL10/4/ISM	N5001707
		16		1,6		M000GL16/4	N5002205	M000GL16/4/ISM	N5002207
		20		1,7		M000GL20/4	N5002405	M000GL20/4/ISM	N5002407
		25		1,9		M000GL25/4	N5002605	M000GL25/4/ISM	N5002607
		32		2,5		M000GL32/4	N5002905	M000GL32/4/ISM	N5002907
		35		3,4		M000GL35/4	N5003105	M000GL35/4/ISM	N5003107
		40		2,9		M000GL40/4	N5003405	M000GL40/4/ISM	N5003407
		50		3,9		M000GL50/4	N5003505	M000GL50/4/ISM	N5003507
		63		4,9		M000GL63/4	N5003805	M000GL63/4/ISM	N5003807
		80		5,1		M000GL80/4	N5004105	M000GL80/4/ISM	N5004107
		100		5,5		M000GL100/4	N5004305	M000GL100/4/ISM	N5004307
		00		125		双指示器 Combi indicator	8,1	3	M00GL125/4
	160		10,0	M00GL160/4	N5004905	M00GL160/4/ISM	N5004907		

NH熔断器
NH fuse-links

光伏熔断器
Fuses for
photovoltaic
applications

半导体保护熔断器
Fuse-links for
semiconductor
protection

NH熔断器底座
NH fuse-bases

D型熔断器
D-type fuses

高压熔断器
IKUS HV HRC
fuse-links

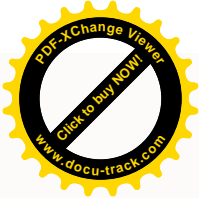
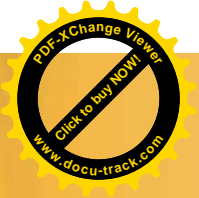
附录
Appendix



NH熔断器 / NH fuse-links

使用类别gG、AC400V、双指示器 / Utilization category gG AC400V with combi indicator

U _n	尺码 Size	I _n [A]	指示器 Indicator	耗散功率 Power dissipation P _n [W]	包装 PU	带电搭扣 Live gripping-lugs		绝缘搭扣 Isolated gripping-lugs	
						型号 / Type	订货号 Article-No.	型号 / Type	订货号 Article-No.
400V	1	25	双指示器 Combi indicator	3,3	3	M1GL25/4	N1002605	M1GL25/4/ISM	N1002607
		32		3,6		M1GL32/4	N1002905	M1GL32/4/ISM	N1002907
		35		4,5		M1GL35/4	N1003105	M1GL35/4/ISM	N1003107
		40		4,4		M1GL40/4	N1003405	M1GL40/4/ISM	N1003407
		50		4,5		M1GL50/4	N1003505	M1GL50/4/ISM	N1003507
		63		5,4		M1GL63/4	N1003805	M1GL63/4/ISM	N1003807
		80		5,4		M1GL80/4	N1004105	M1GL80/4/ISM	N1004107
		100		7,9		M1GL100/4	N1004305	M1GL100/4/ISM	N1004307
		125		8,7		M1GL125/4	N1004605	M1GL125/4/ISM	N1004607
		160		12,3		M1GL160/4	N1004905	M1GL160/4/ISM	N1004907
		200		13,5		M1GL200/4	N1005205	M1GL200/4/ISM	N1005207
		224		15,1		M1GL224/4	N1005305	M1GL224/4/ISM	N1005307
	250	17,2	M1GL250/4	N1005605	M1GL250/4/ISM	N1005607			
	2	63	双指示器 Combi indicator	5,5	3	M2GL63/4	N2003805	M2GL63/4/ISM	N2003807
		80		6,4		M2GL80/4	N2004105	M2GL80/4/ISM	N2004107
		100		7,6		M2GL100/4	N2004305	M2GL100/4/ISM	N2004307
		125		8,7		M2GL125/4	N2004605	M2GL125/4/ISM	N2004607
		160		12,3		M2GL160/4	N2004905	M2GL160/4/ISM	N2004907
		200		13,5		M2GL200/4	N2005205	M2GL200/4/ISM	N2005207
		224		15,4		M2GL224/4	N2005305	M2GL224/4/ISM	N2005307
		250		17,6		M2GL250/4	N2005605	M2GL250/4/ISM	N2005607
		300		20,3		M2GL300/4	N2005805	M2GL300/4/ISM	N2005807
		315		21,9		M2GL315/4	N2005905	M2GL315/4/ISM	N2005907
		355		24,8		M2GL355/4	N2006005	M2GL355/4/ISM	N2006007
		400		26,3		M2GL400/4	N2006205	M2GL400/4/ISM	N2006207
	3	200	双指示器 Combi indicator	13,5	3	M3GL200/4	N3005205	M3GL200/4/ISM	N3005207
		224		15,4		M3GL224/4	N3005305	M3GL224/4/ISM	N3005307
		250		16,0		M3GL250/4	N3005605	M3GL250/4/ISM	N3005607
		300		18,0		M3GL300/4	N3005805	M3GL300/4/ISM	N3005807
		315		19,0		M3GL315/4	N3005905	M3GL315/4/ISM	N3005907
		355		22,0		M3GL355/4	N3006005	M3GL355/4/ISM	N3006007
		400		24,5		M3GL400/4	N3006205	M3GL400/4/ISM	N3006207
		425		28,3		M3GL425/4	N3006305	M3GL425/4/ISM	N3006307
		500		30,0		M3GL500/4	N3006605	M3GL500/4/ISM	N3006607
		630		41,0		M3GL630/4	N3006905	M3GL630/4/ISM	N3006907



使用类别gG、AC500V、双指示器 / Utilization category gG AC500V with combi indicator

U _n	尺码 Size	I _n [A]	指示器 Indicator	耗散功率 Power dissipation P _n [W]	包装 PU	带电搭扣 Live gripping-lugs		绝缘搭扣 Isolated gripping-lugs	
						型号 / Type	订货号 Article-No.	型号 / Type	订货号 Article-No.
500V	000	2	双指示器 Combi indicator	0,7	3	M000GL2	N5010905	M000GL2ISM	N5010907
		4		0,7		M000GL4	N5011205	M000GL4ISM	N5011207
		6		0,8		M000GL6	N5011405	M000GL6ISM	N5011407
		10		1,1		M000GL10	N5011705	M000GL10ISM	N5011707
		16		1,6		M000GL16	N5012205	M000GL16ISM	N5012207
		20		1,7		M000GL20	N5012405	M000GL20ISM	N5012407
		25		1,9		M000GL25	N5012605	M000GL25ISM	N5012607
		32		2,5		M000GL32	N5012905	M000GL32ISM	N5012907
		35		3,5		M000GL35	N5013105	M000GL35ISM	N5013107
		40		3,0		M000GL40	N5013405	M000GL40ISM	N5013407
		50		3,9		M000GL50	N5013505	M000GL50ISM	N5013507
		63		5,4		M000GL63	N5013805	M000GL63ISM	N5013807
		80		6,1		M000GL80	N5014105	M000GL80ISM	N5014107
	100	6,9	M000GL100	N5014305	M000GL100ISM	N5014307			
	00	125	双指示器 Combi indicator	8,9	3	M00GL125	N5014605	M00GL125/ISM	N5014607
		160	11,2	M00GL160		N5014905	M00GL160/ISM	N5014907	
	1	双指示器 Combi indicator	35	3	M1GL35	N1013105	M1GL35ISM	N1013107	
			40		M1GL40	N1013405	M1GL40ISM	N1013407	
			50		M1GL50	N1013505	M1GL50ISM	N1013507	
			63		M1GL63	N1013805	M1GL63ISM	N1013807	
			80		M1GL80	N1014105	M1GL80ISM	N1014107	
			100		M1GL100	N1014305	M1GL100ISM	N1014307	
			125		M1GL125	N1014605	M1GL125ISM	N1014607	
			160		M1GL160	N1014905	M1GL160ISM	N1014907	
			200		M1GL200	N1015205	M1GL200ISM	N1015207	
224			M1GL224		N1015305	M1GL224ISM	N1015307		
250	M1GL250	N1015605	M1GL250ISM	N1015607					



NH熔断器
NH fuse-links

光伏熔断器
Fuses for
photovoltaic
applications

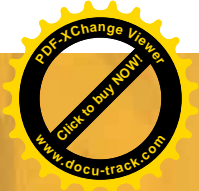
半导体保护熔断器
Fuse-links for
semiconductor
protection

NH熔断器底座
NH fuse-bases

D型熔断器
D-type fuses

高压熔断器
IKUS HV HRC
fuse-links

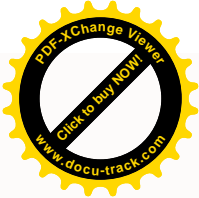
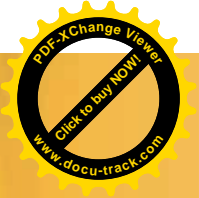
附录
Appendix



NH熔断器 / NH fuse-links

使用类别gG、AC500V、双指示器 / Utilization category gG AC500V with combi indicator

U _n	尺码 Size	I _n [A]	指示器 Indicator	耗散功率 Power dissipation P _n [W]	包装 PU	带电搭扣 Live gripping-lugs		绝缘搭扣 Isolated gripping-lugs				
						型号 / Type	订货号 Article-No.	型号 / Type	订货号 Article-No.			
500V	2	63	双指示器 Combi indicator	5,7	3	M2GL63	N2013805	M2GL63ISM	N2013807			
		80		7,1		M2GL80	N2014105	M2GL80ISM	N2014107			
		100		8,1		M2GL100	N2014305	M2GL100ISM	N2014307			
		125		9,5		M2GL125	N2014605	M2GL125ISM	N2014607			
		160		14,9		M2GL160	N2014905	M2GL160ISM	N2014907			
		200		16,9		M2GL200	N2015205	M2GL200ISM	N2015207			
		224		17,1		M2GL224	N2015305	M2GL224ISM	N2015307			
		250		21,8		M2GL250	N2015605	M2GL250ISM	N2015607			
		300		22,5		M2GL300	N2015805	M2GL300ISM	N2015807			
		315		23,7		M2GL315	N2015905	M2GL315ISM	N2015907			
		355		26,9		M2GL355	N2016005	M2GL355ISM	N2016007			
		400		30,5		M2GL400	N2016205	M2GL400ISM	N2016207			
		3		200		双指示器 Combi indicator	16,9	3	M3GL200	N3015205	M3GL200ISM	N3015207
				224			17,1		M3GL224	N3015305	M3GL224ISM	N3015307
	250		20,0	M3GL250	N3015605		M3GL250ISM		N3015607			
	300		22,5	M3GL300	N3015805		M3GL300ISM		N3015807			
	315		23,5	M3GL315	N3015905		M3GL315ISM		N3015907			
	355		28,0	M3GL355	N3016005		M3GL355ISM		N3016007			
	400		33,8	M3GL400	N3016205		M3GL400ISM		N3016207			
	425		34,5	M3GL425	N3016305		M3GL425ISM		N3016307			
	500		39,0	M3GL500	N3016605		M3GL500ISM		N3016607			
	630		47,6	M3GL630	N3016905		M3GL630ISM		N3016907			
	4a	500	双指示器 Combi indicator	36,5	1	M4AGL500	N4016600	-	-			
		630		43,5		M4AGL630	N4016900	-	-			
		800		59,5		M4AGL800	N4017200	-	-			
		1000		84,0		M4AGL1000	N4017600	-	-			
		1250		104,0		M4AGL1250	N4017900	-	-			
		1500		126,0		M4AGL1500	N4018200	-	-			
		1600		146,0		M4AGL1600	N4018300	-	-			
		500		36,5		M4AGL500MI	N4016604	-	-			
		630		43,5		M4AGL630MI	N4016904	-	-			
		800		59,5		M4AGL800MI	N4017204	-	-			
		1000		84,0		M4AGL1000MI	N4017604	-	-			
		1250		104,0		M4AGL1250MI	N4017904	-	-			
		1500		126,0		M4AGL1500MI	N4018204	-	-			
		1600		146,0		M4AGL1600MI	N4018304	-	-			



使用类别gG、AC500V、带撞击器 / Utilization category gG AC500V with striker



U _n	尺码 Size	I _n [A]	指示器 Indicator	耗散功率 Power dissipation P _n [W]	包装 PU	带电搭扣 Live gripping-lugs		绝缘搭扣 Isolated gripping-lugs	
						型号 / Type	订货号 Article-No.	型号 / Type	订货号 Article-No.
500V	000	2	撞击器 Striker	0,7	3	M000GL2K	N5010913	-	-
		4		0,7		M000GL4K	N5011213	-	-
		6		0,8		M000GL6K	N5011413	-	-
		10		1,1		M000GL10K	N5011713	-	-
		16		1,6		M000GL16K	N5012213	-	-
		20		1,7		M000GL20K	N5012413	-	-
		25		1,9		M000GL25K	N5012613	-	-
		32		2,5		M000GL32K	N5012913	-	-
		35		3,5		M000GL35K	N5013113	-	-
		40		3,0		M000GL40K	N5013413	-	-
		50		3,9		M000GL50K	N5013513	-	-
		63		5,4		M000GL63K	N5013813	-	-
		80		6,1		M000GL80K	N5014113	-	-
		100		6,9		M000GL100K	N5014313	-	-
	00	125	撞击器 Striker	8,9	3	M00GL125/K	N5014613	-	-
		160	11,2	M00GL160/K		N5014913	-	-	
	1	撞击器 Striker	35	3	M1GL35K	N1013124	-	-	
			40		M1GL40K	N1013424	-	-	
			50		M1GL50K	N1013524	-	-	
			63		M1GL63K	N1013824	-	-	
			80		M1GL80K	N1014124	-	-	
			100		M1GL100K	N1014324	-	-	
		125	M1GL125K	N1014624	-	-			
		160	M1GL160K	N1014924	-	-			
		200	M1GL200K	N1015224	-	-			
224		M1GL224K	N1015324	-	-				
250		M1GL250K	N1015624	-	-				

NH熔断器
NH fuse-links

光伏熔断器
Fuses for
photovoltaic
applications

半导体保护熔断器
Fuse-links for
semiconductor
protection

NH熔断器底座
NH fuse-bases

D型熔断器
D-type fuses

高压熔断器
IKUS HV HRC
fuse-links

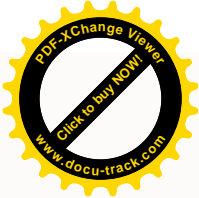
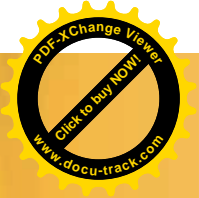
附录
Appendix



使用类别gG、AC500V、带撞击器 / Utilization category gG AC500V with striker



U _n	尺码 Size	I _n [A]	指示器 Indicator	耗散功率 Power dissipation P _n [W]	包装 PU	带电搭扣 Live gripping-lugs		绝缘搭扣 Isolated gripping-lugs				
						型号 / Type	订货号 Article-No.	型号 / Type	订货号 Article-No.			
500V	2	63	撞击器 Striker	5,7	3	M2GL63K	N2013824	-	-			
		80		7,1		M2GL80K	N2014124	-	-			
		100		8,1		M2GL100K	N2014324	-	-			
		125		9,5		M2GL125K	N2014624	-	-			
		160		14,9		M2GL160K	N2014924	-	-			
		200		16,9		M2GL200K	N2015224	-	-			
		224		17,1		M2GL224K	N2015324	-	-			
		250		21,8		M2GL250K	N2015624	-	-			
		300		22,5		M2GL300K	N2015824	-	-			
		315		23,7		M2GL315K	N2015924	-	-			
		355		26,9		M2GL355K	N2016024	-	-			
		400		30,5		M2GL400K	N2016224	-	-			
		3		200		撞击器 Striker	16,9	3	M3GL200K	N3015224	-	-
				224			17,1		M3GL224K	N3015324	-	-
	250		21,8	M3GL250K	N3015624		-		-			
	300		22,5	M3GL300K	N3015824		-		-			
	315		23,7	M3GL315K	N3015924		-		-			
	355		26,9	M3GL355K	N3016024		-		-			
	400		30,5	M3GL400K	N3016224		-		-			
	425		34,5	M3GL425K	N3016324		-		-			
	500		39,0	M3GL500K	N3016624		-		-			
	630		47,6	M3GL630K	N3016924		-		-			
	4a	500	撞击器 Striker	36,5	1	M4AGL500K	N4016624	-	-			
		630		43,5		M4AGL630K	N4016924	-	-			
		800		59,5		M4AGL800K	N4017224	-	-			
		1000		84,0		M4AGL1000K	N4017624	-	-			
		1250		104,0		M4AGL1250K	N4017924	-	-			
		1500		126,0		M4AGL1500K	N4018224	-	-			
	1600	146,0	M4AGL1600K	N4018324	-	-						



使用类别gG、AC690V、双指示器 / Utilization category gG AC690V with combi indicator



U _n	尺码 Size	I _n [A]	指示器 Indicator	耗散功率 Power dissipation P _n [W]	包装 PU	带电搭扣 Live gripping-lugs		绝缘搭扣 Isolated gripping-lugs	
						型号 / Type	订货号 Article-No.	型号 / Type	订货号 Article-No.
690V	000	2	双指示器 Combi indicator	1,0	3	M000gG2/69	N5080905	M000gG2/69/ism	N5080907
		4		1,0		M000gG4/69	N5081205	M000gG4/69/ism	N5081207
		6		1,0		M000gG6/69	N5081405	M000gG6/69/ism	N5081407
		10		1,6		M000gG10/69	N5081705	M000gG10/69/ism	N5081707
		16		1,7		M000gG16/69	N5082205	M000gG16/69/ism	N5082207
		20		1,8		M000gG20/69	N5082405	M000gG20/69/ism	N5082407
		25		2,0		M000gG25/69	N5082605	M000gG25/69/ism	N5082607
		32		2,6		M000gG32/69	N5082905	M000gG32/69/ism	N5082907
		35		3,6		M000gG35/69	N5083105	M000gG35/69/ism	N5083107
		40		3,1		M000gG40/69	N5083405	M000gG40/69/ism	N5083407
	50	4,0	M000gG50/69	N5083505	M000gG50/69/ism	N5083507			
	00	63	双指示器 Combi indicator	5,8	3	M00gG63/69	N5083805	M00gG63/69/ism	N5083807
		80		M00gG80/69		N5084105	M00gG80/69/ism	N5084107	
		100		M00gG100/69		N5084305	M00gG100/69/ism	N5084307	
		125	顶部指示器 Top indicator	9,1	3	M00gG125/69	N5084616	-	-
	160	M00gG160/69	N5084916	-		-			
	1	双指示器 Combi indicator	25	3	M1gG25/69	N1082605	M1gG25/69/ism	N1082607	
			32		M1gG32/69	N1082905	M1gG32/69/ism	N1082907	
			35		M1gG35/69	N1083105	M1gG35/69/ism	N1083107	
			40		M1gG40/69	N1083405	M1gG40/69/ism	N1083407	
			50		M1gG50/69	N1083505	M1gG50/69/ism	N1083507	
			63		M1gG63/69	N1083805	M1gG63/69/ism	N1083807	
		80	双指示器 Combi indicator	8,9	3	M1gG80/69	N1084105	M1gG80/69/ism	N1084107
		100		M1gG100/69		N1084305	M1gG100/69/ism	N1084307	
		125		M1gG125/69		N1084605	M1gG125/69/ism	N1084607	
		160		M1gG160/69		N1084905	M1gG160/69/ism	N1084907	
		200		M1gG200/69		N1085205	M1gG200/69/ism	N1085207	
		224		M1gG224/69		N1085305	M1gG224/69/ism	N1085307	
	250	M1gG250/69	N1085605	M1gG250/69/ism	N1085607				

NH熔断器
NH fuse-links

光伏熔断器
Fuses for
photovoltaic
applications

半导体保护熔断器
Fuse-links for
semiconductor
protection

NH熔断器底座
NH fuse-bases

D型熔断器
D-type fuses

高压熔断器
IKUS HV HRC
fuse-links

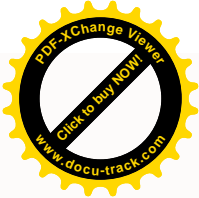
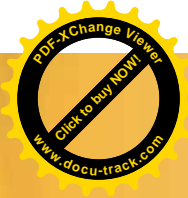
附录
Appendix



使用类别gG、AC690V、双指示器 / Utilization category gG AC690V with combi indicator



U _n	尺码 Size	I _n [A]	指示器 Indicator	耗散功率 Power dissipation P _n [W]	包装 PU	带电搭扣 Live gripping-lugs		绝缘搭扣 Isolated gripping-lugs			
						型号 / Type	订货号 Article-No.	型号 / Type	订货号 Article-No.		
690V	2	63	双指示器 Combi indicator	6,5	3	M2GG63/69	N2083805	M2GG63/69/ISM	N2083807		
		80		8,9		M2GG80/69	N2084105	M2GG80/69/ISM	N2084107		
		100		10,7		M2GG100/69	N2084305	M2GG100/69/ISM	N2084307		
		125		12,5		M2GG125/69	N2084605	M2GG125/69/ISM	N2084607		
		160		15,3		M2GG160/69	N2084905	M2GG160/69/ISM	N2084907		
		200		23,4		M2GG200/69	N2085205	M2GG200/69/ISM	N2085207		
		224		22,9		M2GG224/69	N2085305	M2GG224/69/ISM	N2085307		
		250		24,5		M2GG250/69	N2085605	M2GG250/69/ISM	N2085607		
		300		27,4		M2GG300/69	N2085805	M2GG300/69/ISM	N2085807		
		315		30,2		M2GG315/69	N2085905	M2GG315/69/ISM	N2085907		
		355		33,2		顶部指示器 Top indicator	3	M2GG355/69	N2086000	-	-
		400		38,2		M2GG400/69	N2086200	-	-		
	3	250	双指示器 Combi indicator	24,0	3	M3GG250/69	N3085605	M3GG250/69/ISM	N3085607		
		300		28,0		M3GG300/69	N3085805	M3GG300/69/ISM	N3085807		
		315		31,0		M3GG315/69	N3085905	M3GG315/69/ISM	N3085907		
		355		35,0		M3GG355/69	N3086005	M3GG355/69/ISM	N3086007		
		400		40,0		M3GG400/69	N3086205	M3GG400/69/ISM	N3086207		
		425		42,0		M3GG425/69	N3086305	M3GG425/69/ISM	N3086307		
		500		45,0		M3GG500/69	N3086605	M3GG500/69/ISM	N3086607		
		630		48,0		顶部指示器 Top indicator	3	M3GG630/69	N3086900	-	-
	4a	500	顶部指示器 Top indicator	51,0	1	M4AGG500/69	N4086600	-	-		
		630		62,0		M4AGG630/69	N4086900	-	-		
		800		79,0		M4AGG800/69	N4087200	-	-		
		1000		90,0		M4AGG1000/69	N4087600	-	-		



使用类别gG、AC690V、带撞击器 / Utilization category gG AC690V with striker



U _n	尺码 Size	I _n [A]	指示器 Indicator	耗散功率 Power dissipation P _n [W]	包装 PU	带电搭扣 Live gripping-lugs		绝缘搭扣 Isolated gripping-lugs	
						型号 / Type	订货号 Article-No.	型号 / Type	订货号 Article-No.
690V	000	2	撞击器 Striker	<1,0	3	M000GG2/69/K	N5080913	-	-
		4		<1,0		M000GG4/69/K	N5081213	-	-
		6		<1,0		M000GG6/69/K	N5081413	-	-
		10		1,6		M000GG10/69/K	N5081713	-	-
		16		1,7		M000GG16/69/K	N5082213	-	-
		20		1,8		M000GG20/69/K	N5082413	-	-
		25		2,0		M000GG25/69/K	N5082613	-	-
		32		2,6		M000GG32/69/K	N5082913	-	-
		35		3,6		M000GG35/69/K	N5083113	-	-
		40		3,1		M000GG40/69/K	N5083413	-	-
	00	50	撞击器 Striker	4,0	3	M00GG50/69/K	N5083510	-	-
		63		5,8		M00GG63/69/K	N5083810	-	-
		80		6,5		M00GG80/69/K	N5084110	-	-
		100		7,6		M00GG100/69/K	N5084310	-	-
		125		8,9		M1GG125/69/K	N1084624	-	-
	1	50	撞击器 Striker	5,9	3	M1GG50/69/K	N1083524	-	-
		63		6,7		M1GG63/69/K	N1083824	-	-
		80		8,9		M1GG80/69/K	N1084124	-	-
		100		9,8		M1GG100/69/K	N1084324	-	-
		125		13,2		M1GG125/69/K	N1084624	-	-
		160		16,1		M1GG160/69K	N1084924	-	-
		200		21,9		M1GG200/69K	N1085224	-	-
		224		21,8		M1GG224/69/K	N1085324	-	-
		250		24,1		M1GG250/69K	N1085624	-	-
		300		27,4		M2GG300/69/K	N2085824	-	-
	2	100	撞击器 Striker	10,7	3	M2GG100/69/K	N2084324	-	-
		125		12,5		M2GG125/69/K	N2084624	-	-
		160		15,3		M2GG160/69/K	N2084924	-	-
		200		23,4		M2GG200/69/K	N2085224	-	-
		224		22,9		M2GG224/69/K	N2085324	-	-
		250		24,5		M2GG250/69/K	N2085624	-	-
		315		30,2		M2GG315/69/K	N2085924	-	-
		400		38,2		M2GG400/69/K	N2086224	-	-
	3	250	撞击器 Striker	24,0	3	M3GG250/69K	N3085624	-	-
		300		28,0		M3GG300/69/K	N3085824	-	-
		315		31,0		M3GG315/69K	N3085924	-	-
		400		40,0		M3GG400/69K	N3086224	-	-
		425		42,0		M3GG425/69/K	N3086324	-	-
		500		45,0		M3GG500/69/K	N3086624	-	-
		630		48,0		M3GG630/69K	N3086924	-	-
4a	500	撞击器 Striker	51,0	1	M4AGG500/69/K	N4086624	-	-	
	630		62,0		M4AGG630/69/K	N4086924	-	-	
	800		79,0		M4AGG800/69K	N4087224	-	-	
	1000		90,0		M4AGG1000/69/K	N4087624	-	-	

NH熔断器
NH fuse-links

光伏熔断器
Fuses for
photovoltaic
applications

半导体保护熔断器
Fuse-links for
semiconductor
protection

NH熔断器底座
NH fuse-bases

D型熔断器
D-type fuses

高压熔断器
IKUS HV HRC
fuse-links

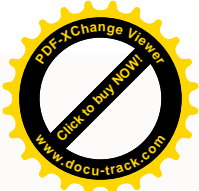
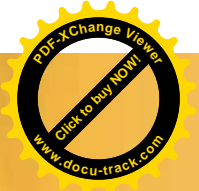
附录
Appendix



NH熔断器 / NH fuse-links

使用类别gG、AC1200V、顶部指示器 / Utilization category gG AC1200V with top indicator

U _n	尺码 Size	I _n [A]	指示器 Indicator	耗散功率 Power dissipation P _n [W]	包装 PU	带电搭扣 Live gripping-lugs		绝缘搭扣 Isolated gripping-lugs	
						型号 / Type	订货号 Article-No.	型号 / Type	订货号 Article-No.
1200V	1	6	顶部指示器 Top indicator	3,2	1	M1GL6/1200	N1051400	-	-
		10		3,7		M1GL10/1200	N1051700	-	-
		16		4,1		M1GL16/1200	N1052200	-	-
		20		5,0		M1GL20/1200	N1052400	-	-
		25		5,0		M1GL25/1200	N1052600	-	-
		32		5,8		M1GL32/1200	N1052900	-	-
		35		6,1		M1GL35/1200	N1053100	-	-
		40		8,1		M1GL40/1200	N1053400	-	-
		50		8,8		M1GL50/1200	N1053500	-	-
		63		10,2		M1GL63/1200	N1053800	-	-
		80		11,0		M1GL80/1200	N1054100	-	-
		100		12,0		M1GL100/1200	N1054300	-	-
		125		16,0		M1GL125/1200	N1054600	-	-
		160		19,0		M1GL160/1200	N1054900	-	-
		200		25,0		M1GL200/1200	N1055200	-	-
		2		32		顶部指示器 Top indicator	5,8	1	M2GL32/1200
	35		6,1	M2GL35/1200	N2053100		-		-
	40		8,1	M2GL40/1200	N2053400		-		-
	50		8,8	M2GL50/1200	N2053500		-		-
	63		10,2	M2GL63/1200	N2053800		-		-
	80		11,0	M2GL80/1200	N2054100		-		-
	100		12,0	M2GL100/1200	N2054300		-		-
	125		16,0	M2GL125/1200	N2054600		-		-
	160		19,0	M2GL160/1200	N2054900		-		-
	200		25,0	M2GL200/1200	N2055200		-		-
	3	80	顶部指示器 Top indicator	11,0	1	M3GL80/1200	N3054100	-	-
		100		12,0		M3GL100/1200	N3054300	-	-
		125		16,0		M3GL125/1200	N3054600	-	-
		160		19,0		M3GL160/1200	N3054900	-	-
		200		25,0		M3GL200/1200	N3055200	-	-
		250		30,0		M3GL250/1200	N3055600	-	-
		315		35,0		M3GL315/1200	N3055900	-	-
		400		40,0		M3GL400/1200	N3056200	-	-
		500		50,0		M3GL500/1200	N3056600	-	-
		630		70,0		M3GL630/1200	N3056900	-	-



使用类别gG、AC1200V、带撞击器 / Utilization category gG AC1200V with striker

U _n	尺码 Size	I _n [A]	指示器 Indicator	耗散功率 Power dissipation P _n [W]	包装 PU	带电搭扣 Live gripping-lugs		绝缘搭扣 Isolated gripping-lugs	
						型号 / Type	订货号 Article-No.	型号 / Type	订货号 Article-No.
1200V	1	6	撞击器 Striker	3,2	1	M1GL6/1200/K	N1051424	-	-
		10		3,7		M1GL10/1200/K	N1051724	-	-
		16		4,1		M1GL16/1200/K	N1052224	-	-
		20		5,0		M1GL20/1200/K	N1052424	-	-
		25		5,0		M1GL25/1200/K	N1052624	-	-
		32		5,8		M1GL32/1200/K	N1052924	-	-
		35		6,1		M1GL35/1200/K	N1053124	-	-
		40		8,1		M1GL40/1200/KK	N1053424	-	-
		50		8,8		M1GL50/1200/K	N1053524	-	-
		63		10,2		M1GL63/1200/K	N1053824	-	-
		80		11,0		M1GL80/1200/K	N1054124	-	-
		100		12,0		M1GL100/1200/K	N1054324	-	-
		125		16,0		M1GL125/1200/K	N1054624	-	-
		160		19,0		M1GL160/1200/K	N1054924	-	-
		200		25,0		M1GL200/1200/K	N1055224	-	-
	2	撞击器 Striker	32	5,8	1	M2GL32/1200/K	N2052924	-	-
			35	6,1		M2GL35/1200/K	N2053124	-	-
			40	8,1		M2GL40/1200/K	N2053424	-	-
			50	8,8		M2GL50/1200/K	N2053524	-	-
			63	10,2		M2GL63/1200/K	N2053824	-	-
			80	11,0		M2GL80/1200/K	N2054124	-	-
			100	12,0		M2GL100/1200/K	N2054324	-	-
			125	16,0		M2GL125/1200/K	N2054624	-	-
			160	19,0		M2GL160/1200/K	N2054924	-	-
			200	25,0		M2GL200/1200/K	N2055224	-	-
	3	撞击器 Striker	80	11,0	1	M3GL80/1200/K	N3054124	-	-
			100	12,0		M3GL100/1200/K	N3054324	-	-
			125	16,0		M3GL125/1200/K	N3054624	-	-
			160	19,0		M3GL160/1200/K	N3054924	-	-
			200	25,0		M3GL200/1200/K	N3055224	-	-
			250	30,0		M3GL250/1200/K	N3055624	-	-
			315	35,0		M3GL315/1200/K	N3055924	-	-
			400	40,0		M3GL400/1200/K	N3056224	-	-
500			50,0	M3GL500/1200/K		N3056624	-	-	
630			70,0	M3GL630/1200/K		N3056924	-	-	

NH熔断器
NH fuse-links

光伏熔断器
Fuses for
photovoltaic
applications

半导体保护熔断器
Fuse-links for
semiconductor
protection

NH熔断器底座
NH fuse-bases

D型熔断器
D-type fuses

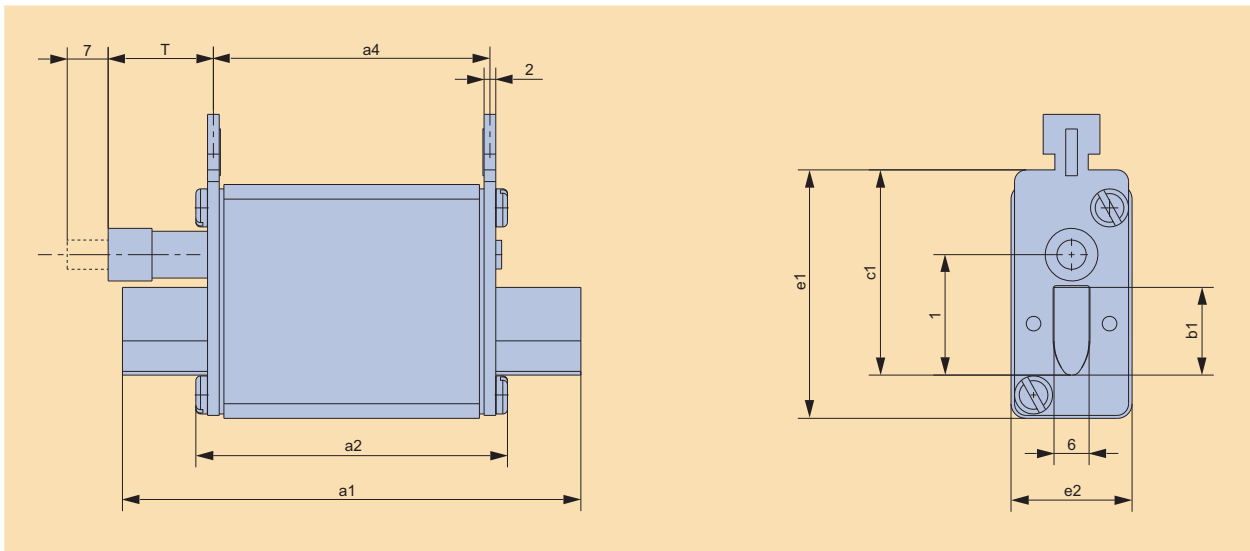
高压熔断器
IKUS HV HRC
fuse-links

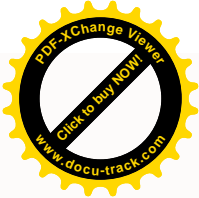
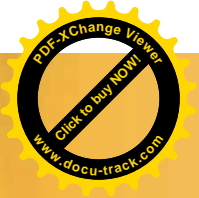
附录
Appendix



技术参数 / *Technical data*

型号 / Type			M000GL.../4...	M00GL.../4...
尺码 / Size	-	-	NH000	NH00
额定电压 / Rated voltage	U_n	V	AC400V	
额定电流 / Rated current	I_n	A	2-100	125-160
额定分断能力 / Rated breaking capacity	-	kA	100	
使用类别 / Utilization category	-	-	gG	
标准 / Standards	-	-	IEC/EN 60269-1 DIN VDE 0636-2	
尺寸 / Dimensions	a1	mm	78,5	78,5
	a2		53	53
	a4		49	49
	b1		15	15
	c1		35	35
	e1		43	49
	e2		21	30
重量 / Weight	-	g	125	173





技术参数 / *Technical data*

型号 / Type			M1GL.../4...		M2GL.../4...	
尺码 / Size	-	-	NH1		NH2	
额定电压 / Rated voltage	U_n	V	AC400		AC400	
额定电流 / Rated current	I_n	A	6-160	200-250	63-250	300-400
额定分断能力 / Rated breaking capacity	-	kA	100		100	
使用类别 / Utilization category	-	-	gG		gG	
标准 / Standards	-	-	IEC/EN 60269-1 DIN VDE 0636-2		IEC/EN 60269-1 DIN VDE 0636-2	
尺寸 / Dimensions	a1	mm	135	135	150	150
	a2		68	72	72	72
	a4		67	67	67	67
	b1		15	20	20	26
	c1		40	40	48	48
	e1		50	55	63	63
	e2		28	46	46	54
重量 / Weight	-	g	233	430	430	500

NH熔断器
NH fuse-links

型号 / Type			M3GL.../4...	
尺码 / Size	-	-	NH3	
额定电压 / Rated voltage	U_n	V	AC400	
额定电流 / Rated current	I_n	A	250-400	425-630
额定分断能力 / Rated breaking capacity	-	kA	100	
使用类别 / Utilization category	-	-	gG	
标准 / Standards	-	-	IEC/EN 60269-1 DIN VDE 0636-2	
尺寸 / Dimensions	a1	mm	150	150
	a2		72	72
	a4		67	67
	b1		26	33
	c1		60	60
	e1		74	74
	e2		54	65
重量 / Weight	-	g	510	923

光伏熔断器
Fuses for
photovoltaic
applications

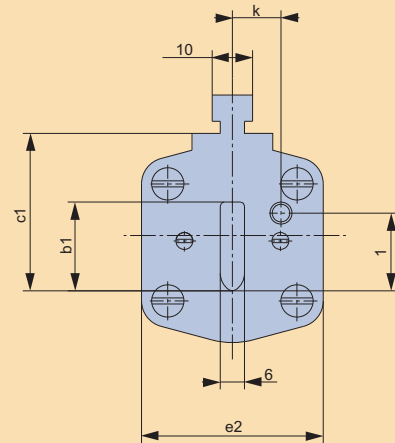
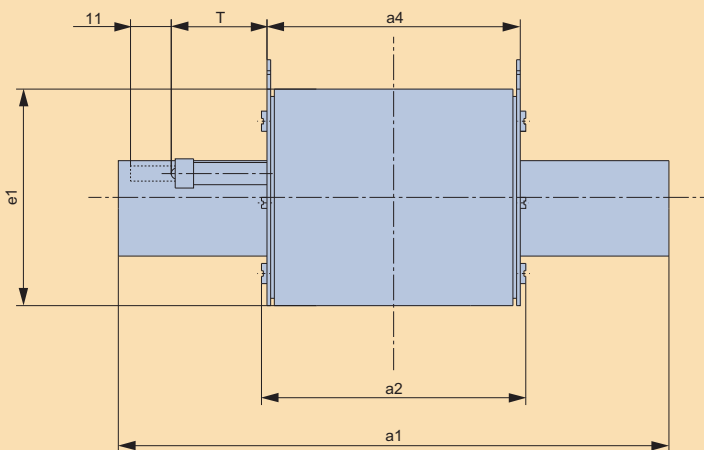
半导体保护熔断器
Fuse-links for
semiconductor
protection

NH熔断器底座
NH fuse-bases

D型熔断器
D-type fuses

高压熔断器
IKUS HV HRC
fuse-links

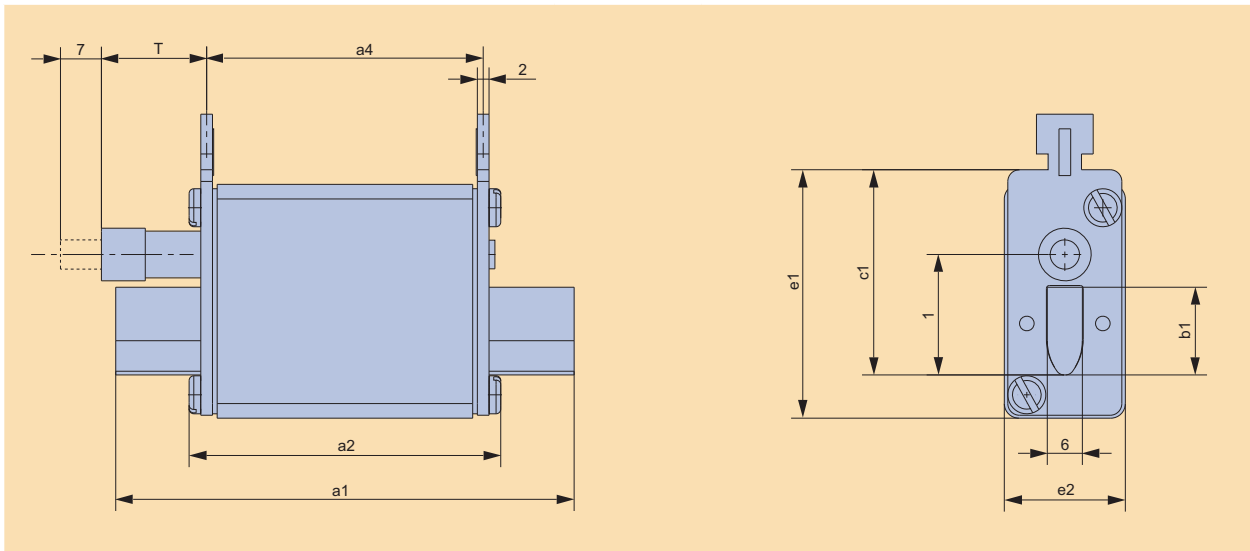
附录
Appendix

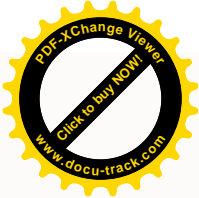
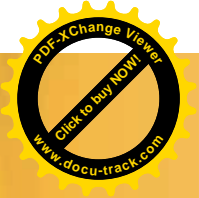




技术参数 / *Technical data*

型号 / Type			M00GL...(/K)	M00GL...(/K)
尺码 / Size	-	-	NH000	NH00
额定电压 / Rated voltage	U_n	V	AC500V	
额定电流 / Rated current	I_n	A	2-100	125-160
额定分断能力 / Rated breaking capacity	-	kA	120	
使用类别 / Utilization category	-	-	gG	
标准 / Standards	-	-	IEC/EN 60269-1 DIN VDE 0636-2	
尺寸 / Dimensions	a1	mm	78,5	78,5
	a2		53	53
	a4		49	49
	b1		15	15
	c1		35	35
	e1		43	49
	e2		21	30
撞击器尺寸 / Dimensions striker	T	-	17	17
	k	-	-	-
	l	-	20,5	20,5
重量 / Weight	-	g	125	173





技术参数 / *Technical data*

型号 / Type			M1GL...(/K*)		M2GL...(/K*)	
尺码 / Size	-	-	NH1		NH2	
额定电压 / Rated voltage	U_n	V	AC500		AC500	
额定电流 / Rated current	I_n	A	6-160*	200-250	63-250*	300-400
额定分断能力 / Rated breaking capacity	-	kA	120		120	
使用类别 / Utilization category	-	-	gG		gG	
标准 / Standards	-	-	IEC/EN 60269-1 DIN VDE 0636-2		IEC/EN 60269-1 DIN VDE 0636-2	
尺寸 / Dimensions	a1	mm	135	135	150	150
	a2		68	72	72	72
	a4		67	67	67	67
	b1		15	20	20	26
	c1		40	40	48	48
	e1		50	55	63	63
	e2		28	46	46	54
撞击器尺寸 / Dimensions striker	T	-	-	26	-	26
	k	-	-	13,7	-	16,2
	l	-	-	20,5	-	27,3
重量 / Weight	-	g	233	430	430	500

NH熔断器
NH fuse-links

光伏熔断器
Fuses for
photovoltaic
applications

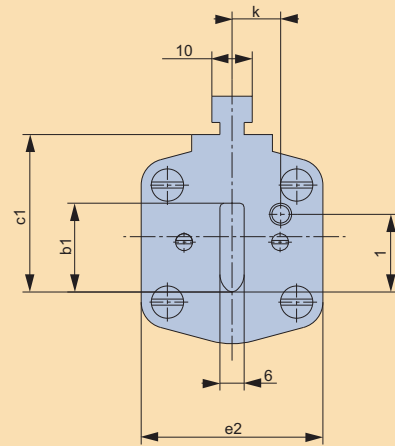
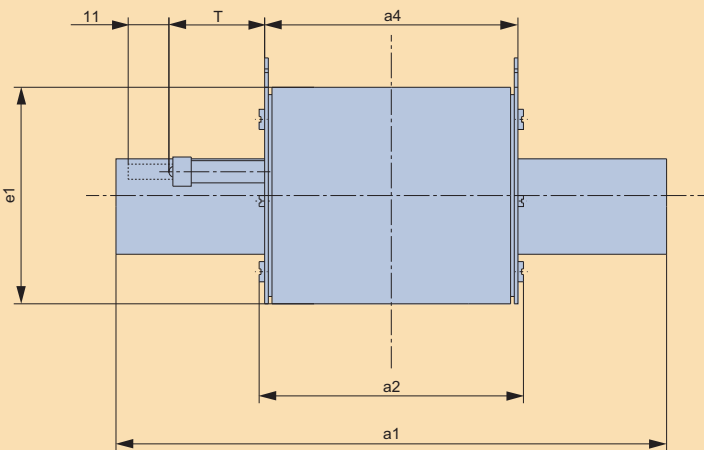
半导体保护熔断器
Fuse-links for
semiconductor
protection

NH熔断器底座
NH fuse-bases

D型熔断器
D-type fuses

高压熔断器
IKUS HV HRC
fuse-links

附录
Appendix

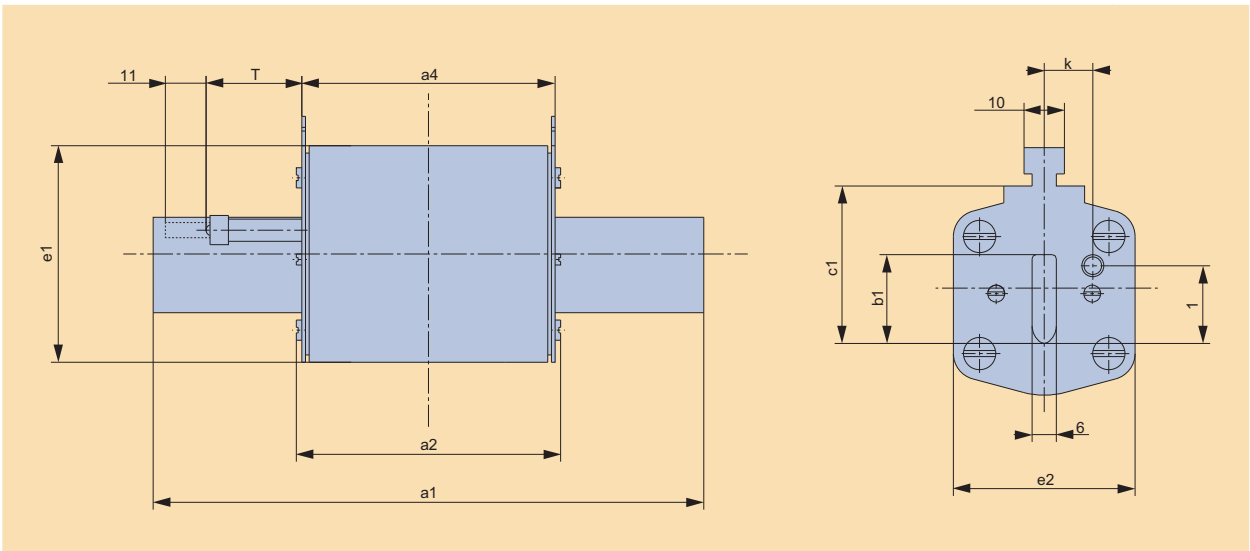


*带撞击器型号 (/K) 的尺寸是同一规格中最大的 / Striker types (/K) always have maximum dimensions of the respective size

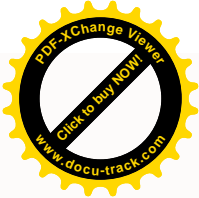
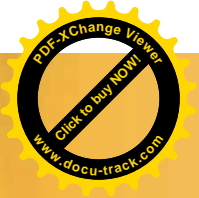


技术参数 / *Technical data*

型号 / Type		M3GL...(/K*)			M4GL...(/K)	
尺码 / Size	-	-	NH3		NH4a	
额定电压 / Rated voltage	U_n	V	AC500		AC500	
额定电流 / Rated current	I_n	A	250-400*	425-630	800	250-1600
额定分断能力 / Rated breaking capacity	-	kA	120		80	120
使用类别 / Utilization category	-	-	gG		gG	
标准 / Standards	-	-	IEC/EN 60269-1 DIN VDE 0636-2			
尺寸 / Dimensions	a1	mm	150	150	150	200
	a2		72	72	73	98
	a4		67	67	67	90
	b1		26	33	37	50
	c1		60	60	60	85
	e1		74	74	76	112
	e2		54	65	73	96
撞击器尺寸 / Dimensions striker	T	-	-	26	-	26
	k	-	-	17	-	24
	l	-	-	35,6	-	49
重量 / Weight	-	g	510	923	940	2170



* 带撞击器型号 (/K) 的尺寸是同一规格中最大的 / *Striker types (/K) always have maximum dimensions of the respective size*



技术参数 / *Technical data*

型号 / Type			M000g.../69	M00g.../69	
尺码 / Size	-	-	NH000	NH00	
额定电压 / Rated voltage	U_n	V	AC690		
额定电流 / Rated current	I_n	A	2-50	63-100	125-160
额定分断能力 / Rated breaking capacity	-	kA	100	100	80
使用类别 / Utilization category	-	-	gG		
标准 / Standards	-	-	IEC/EN 60269-1 DIN VDE 0636-2		
尺寸 / Dimensions	a1	mm	78,5	78,5	
	a2		53	53	
	a4		49	49	
	b1		15	15	
	c1		35	35	
	e1		43	49	
	e2		21	30	
重量 / Weight	-	g	125	173	250

NH熔断器
NH fuse-links

光伏熔断器
Fuses for
photovoltaic
applications

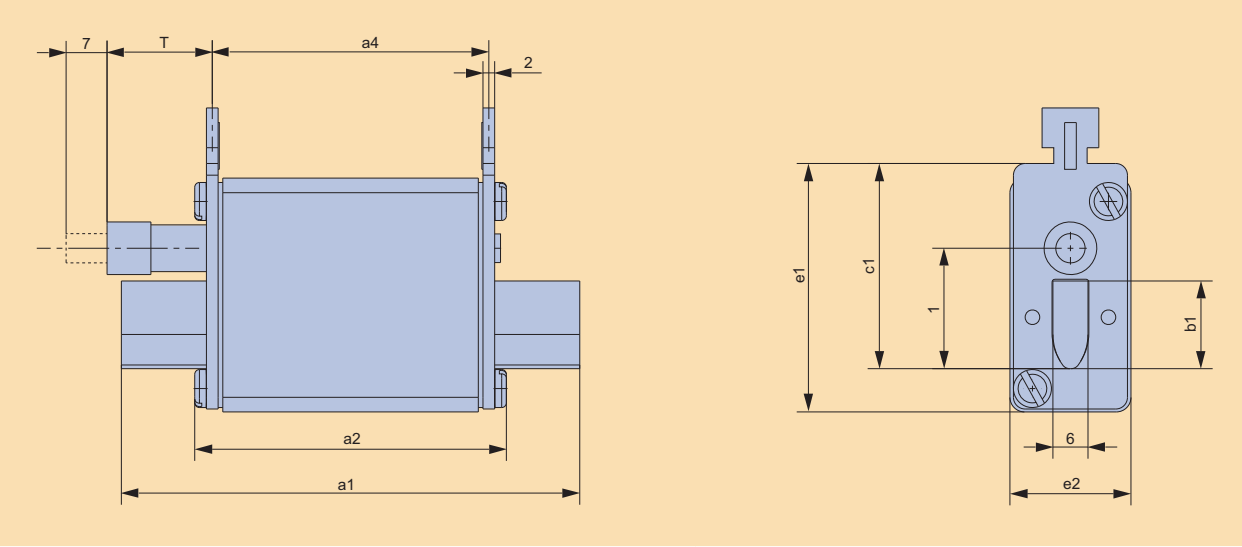
半导体保护熔断器
Fuse-links for
semiconductor
protection

NH熔断器底座
NH fuse-bases

D型熔断器
D-type fuses

高压熔断器
IKUS HV HRC
fuse-links

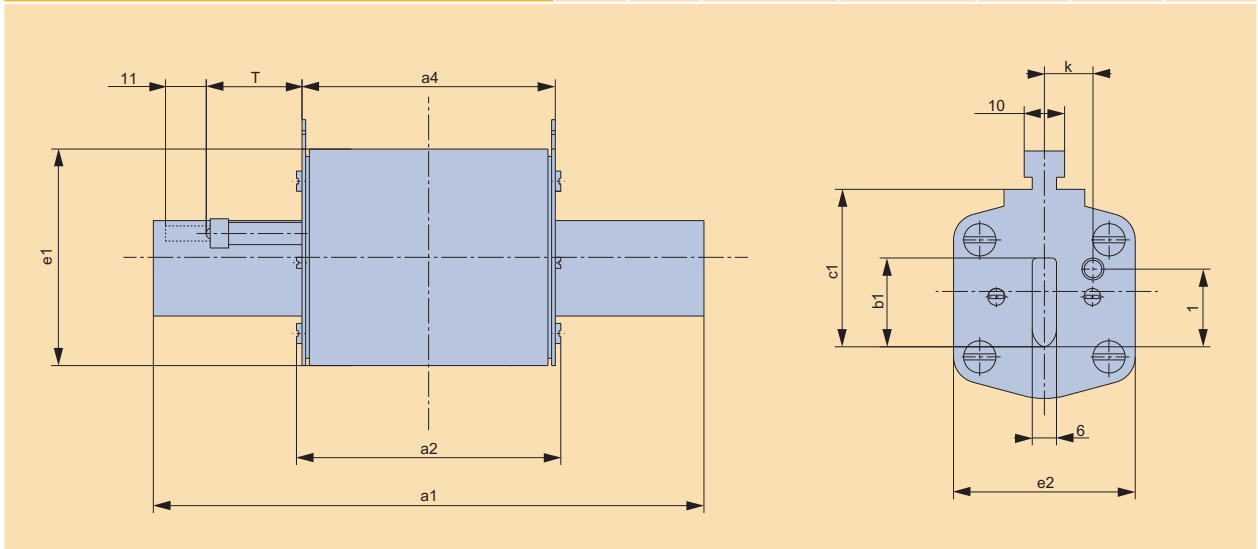
附录
Appendix



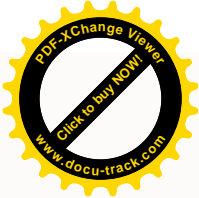
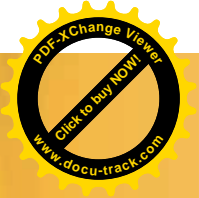


技术参数 / *Technical data*

型号 / Type			M1gG/.../69(/K*)		M2gG.../69(/K*)		
尺码 / Size	-	-	NH1		NH2		
额定电压 / Rated voltage	U_n	V	AC690		AC690		
额定电流 / Rated current	I_n	A	25-125*	160-250	63-250*	300-315	355-400
额定分断能力 / Rated breaking capacity	-	kA	100		100	80	
使用类别 / Utilization category	-	-	gG		gG		
标准 / Standards	-	-	IEC/EN 60269-1 DIN VDE 0636-2		IEC/EN 60269-1 DIN VDE 0636-2		
尺寸 / Dimensions	a1	mm	135	135	150	150	150
	a2		68	72	72	72	72
	a4		67	67	67	67	67
	b1		15	24	20	26	26
	c1		40	40	48	48	48
	e1		50	55	63	63	63
	e2		28	46	46	54	54
	撞击器尺寸 / Dimensions striker		T	-	-	26	-
k		-	-	13,7	-	16,2	16,2
l		-	-	20,5	-	27,3	27,3
重量 / Weight	-	g	233	430	430	500	500



* 带撞击器型号 (/K) 的尺寸是同一规格中最大的 / Striker types (/K) always have maximum dimensions of the respective size



技术参数 / *Technical data*

型号 / Type			M3gG/.../69(/K*)			M4agG/.../69(/K)
尺码 / Size	-	-	NH3			NH4a
额定电压 / Rated voltage	U_n	V	AC690			AC690
额定电流 / Rated current	I_n	A	250-315*	355-500	630	500-1000
额定分断能力 / Rated breaking capacity	-	kA	100		80	80
使用类别 / Utilization category	-	-	gG			gG
标准 / Standards	-	-	IEC/EN 60269-1 DIN VDE 0636-2			IEC/EN 60269-1 DIN VDE 0636-2
尺寸 / Dimensions	a1	mm	150	150	150	200
	a2		72	72	73	98
	a4		67	67	67	90
	b1		26	37	37	50
	c1		60	60	60	85
	e1		74	74	76	112
	e2		54	65	73	96
	撞击器尺寸 / Dimensions striker		T	-	-	26
k		-	-	17	17	24
l		-	--	35,6	35,6	49
重量 / Weight	-	g	510	923	940	2170

NH熔断器
NH fuse-links

光伏熔断器
Fuses for
photovoltaic
applications

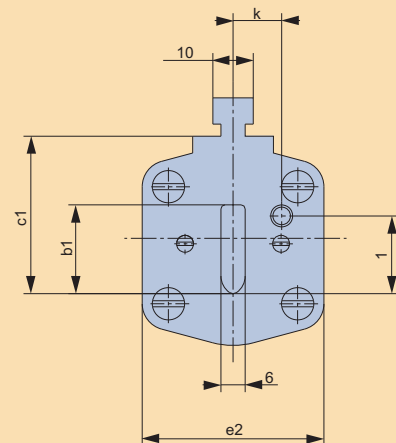
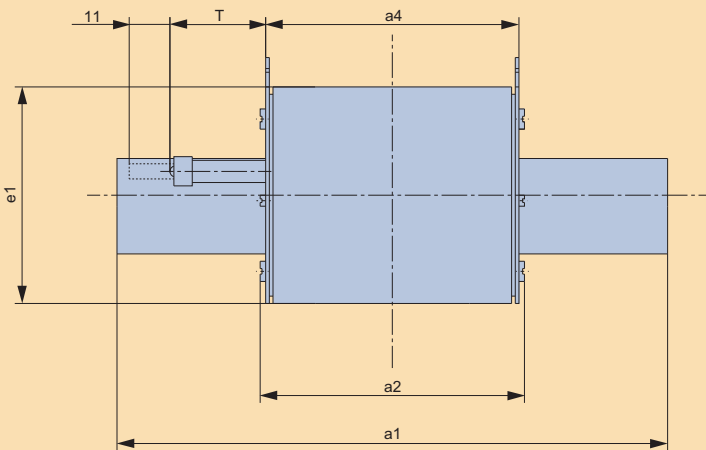
半导体保护熔断器
Fuse-links for
semiconductor
protection

NH熔断器底座
NH fuse-bases

D型熔断器
D-type fuses

高压熔断器
IKUS HV HRC
fuse-links

附录
Appendix



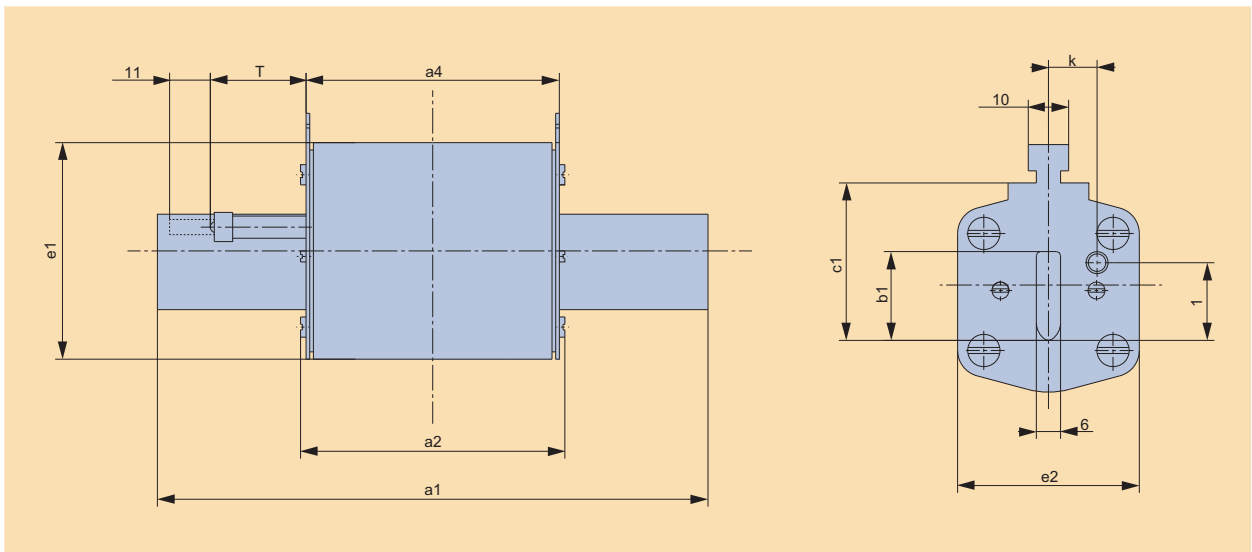
* 带撞击器型号 (/K) 的尺寸是同一规格中最大的 / Striker types (/K) always have maximum dimensions of the respective size

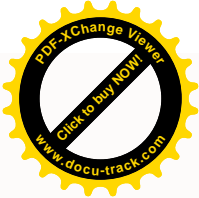
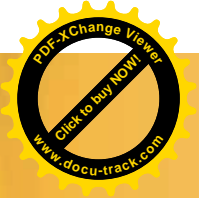


NH熔断器 / NH fuse-links

技术参数 / *Technical data*

型号 / Type			M1GL...1200V(K)	M2GL...1200V(K)	M3GL...1200V(K)
尺码 / Size	-	-	NH1 (lang/long)	NH2 (lang/long)	NH3 (lang/long)
额定电压 / Rated voltage	U_n	V	AC1200		
额定电流 / Rated current	I_n	A	6-200	32-315	80-630
额定分断能力 / Rated breaking capacity	-	kA	50		
使用类别 / Utilization category	-	-	gG		
标准 / Standards	-	-	IEC/EN 60269-1 DIN VDE 0636-2		
尺寸 / Dimensions	a1	mm	194	209	209
	a2		132	132	132
	a4		124	124	124
	b1		24	26	32
	c1		40	48	60
	e1		55	63	69
	e2		46	54	64
撞击器尺寸 / Dimensions striker	T	-	26	26	26
	k	-	13,7	16,2	17
	l	-	20,5	27,3	35,6
重量 / Weight	-	g	750	1050	1360

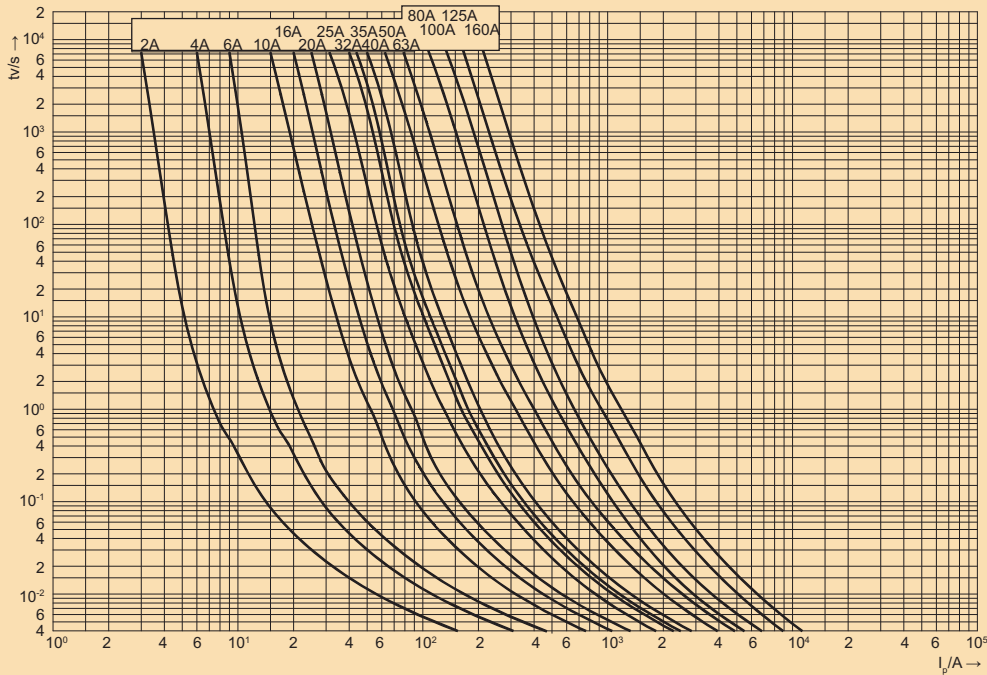




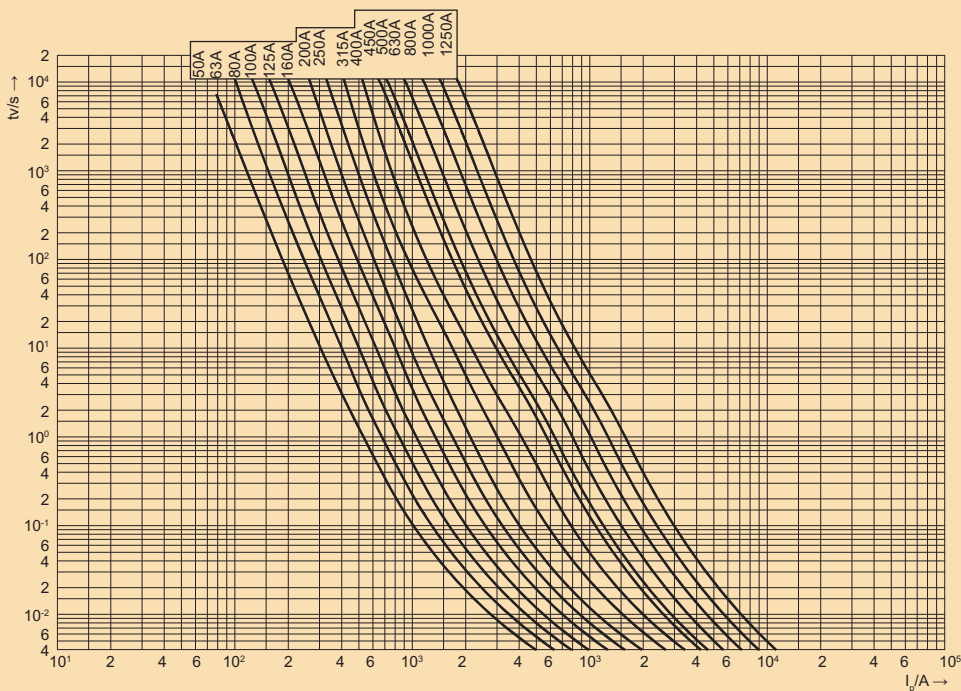
特性 / *Characteristics*

时间电流特性 / Time current characteristics

型号 / Type	订货号 / Article-No.	页码 / Page	型号 / Type	订货号 / Article-No.	页码 / Page
M...GL.../4 - (2-160A)	N500..., N100...	N-5f	M...GL...(/K) - (2-160A)	N501..., N101...	N-7, N-9
M...gG.../69(/K) - (2-160A)	N508..., N108...	N-11, N-13	-	-	-



型号 / Type	订货号 / Article-No.	页码 / Page	型号 / Type	订货号 / Article-No.	页码 / Page
M...GL.../4 - (63-630A)	N100..., N200..., N300...	N-6	M...GL...(/K) - (63-1250A)	N501..., N101..., N201..., N301..., N401...	N-8, N-10
M...gG.../69(/K) - (63-1000A)	N508..., N108..., N208..., N308..., N408...	N-12f	MSMK...GL... - (1250A)	M100..., M200..., M300..., M400...	N-59f



NH熔断器
NH fuse-links

光伏熔断器
Fuses for photovoltaic applications

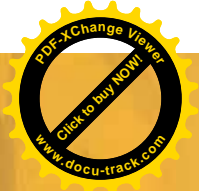
半导体保护熔断器
Fuse-links for semiconductor protection

NH熔断器底座
NH fuse-bases

D型熔断器
D-type fuses

高压熔断器
IKUS HV HRC fuse-links

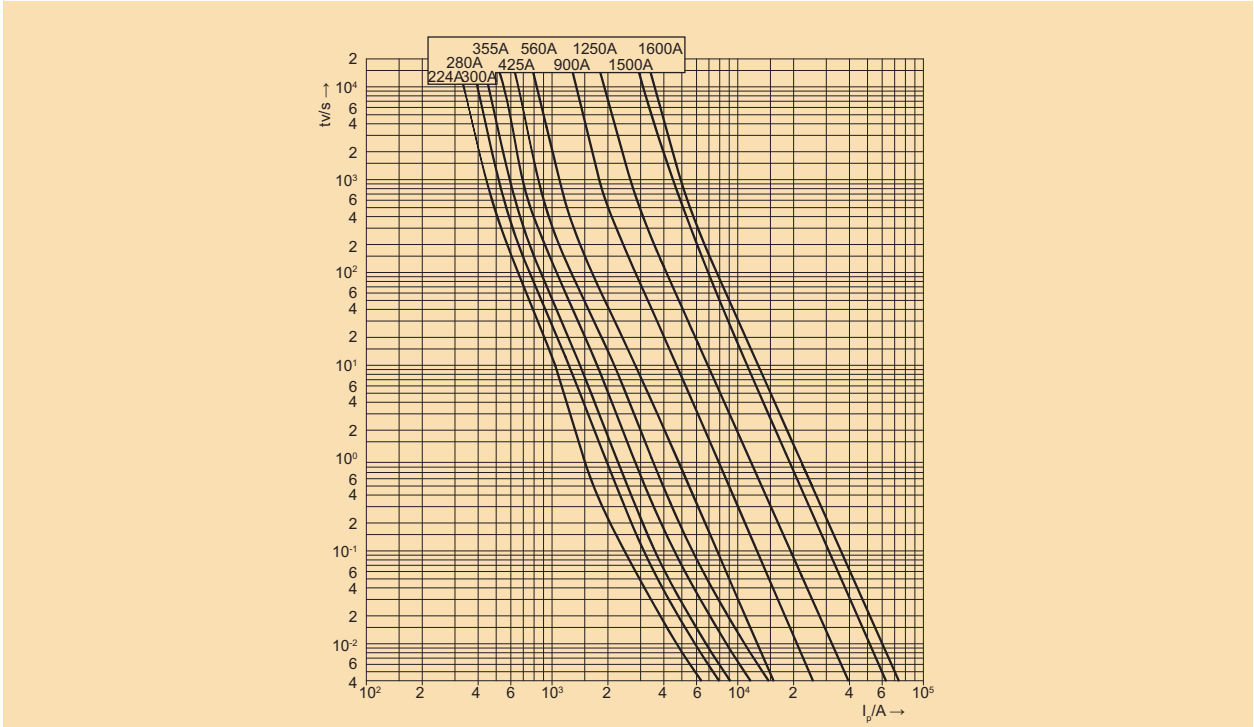
附录
Appendix



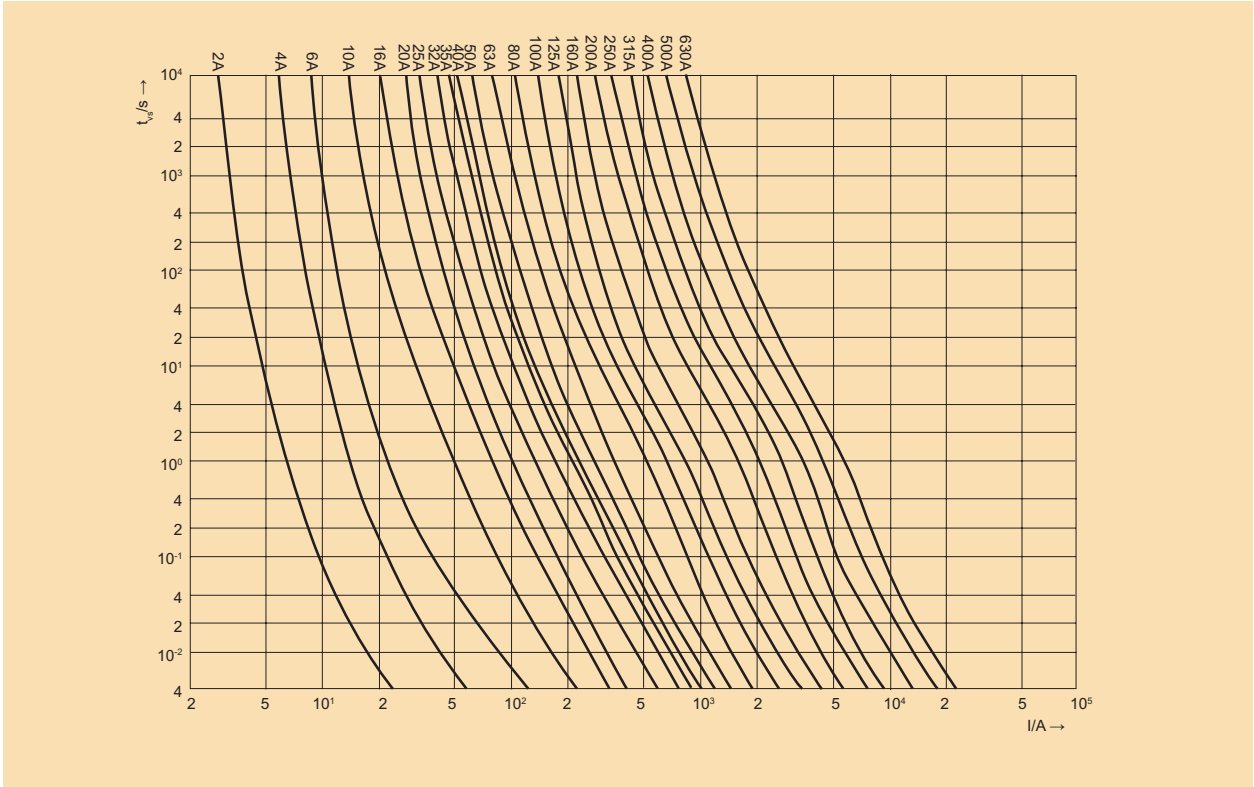
特性 / Characteristics

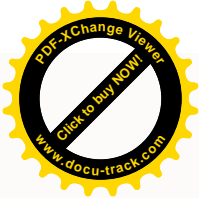
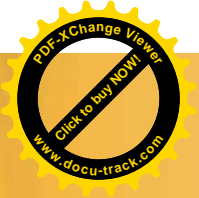
时间电流特性 / Time current characteristics

型号 / Type	订货号 / Article-No.	页码 / Page	型号 / Type	订货号 / Article-No.	页码 / Page
M...GL.../4 - (non-standard)	N500..., N100..., N200..., N300...	N-5f	M...GL.../(K) - (non-standard)	N501..., N101..., N201..., N301..., N401...	N-7ff
M...gG.../69/(K) - (non-standard)	N508..., N108..., N208..., N308..., N408...	N-11ff	-	-	-



型号 / Type	订货号 / Article-No.	页码 / Page
M...GL.../1200/(K)	N105..., N205..., N305...	N-14f

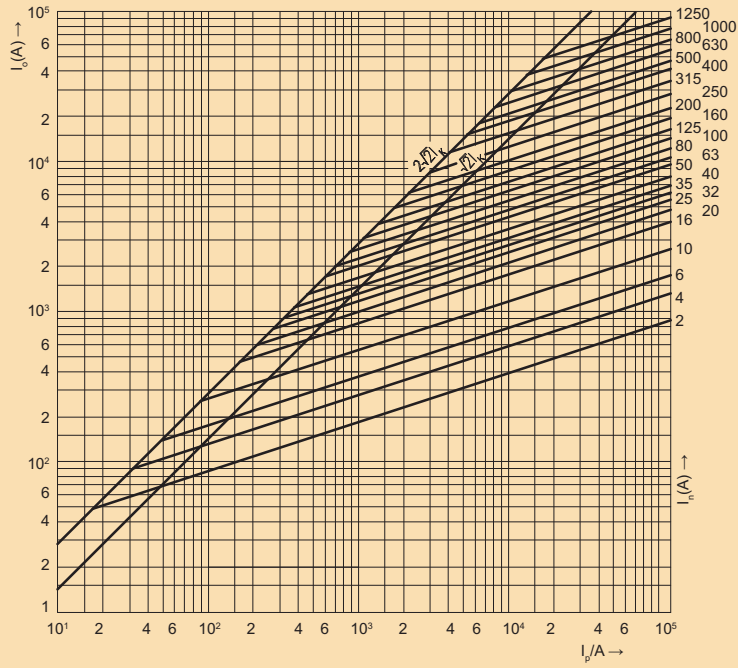




特性 / Characteristics

截断电流图 / Peak let-through current chart

型号 / Type	订货号 / Article-No.	页码 / Page	型号 / Type	订货号 / Article-No.	页码 / Page
M...GL.../4	N500..., N100..., N200..., N300...	N-5f	M...GL...(/K)	N501..., N101..., N201..., N301..., N401...	N-7f
M...gG.../69(/K)	N508..., N108..., N208..., N308..., N408...	N-11f	MSMK...GL...	M100..., M200..., M300..., M400...	N-59f

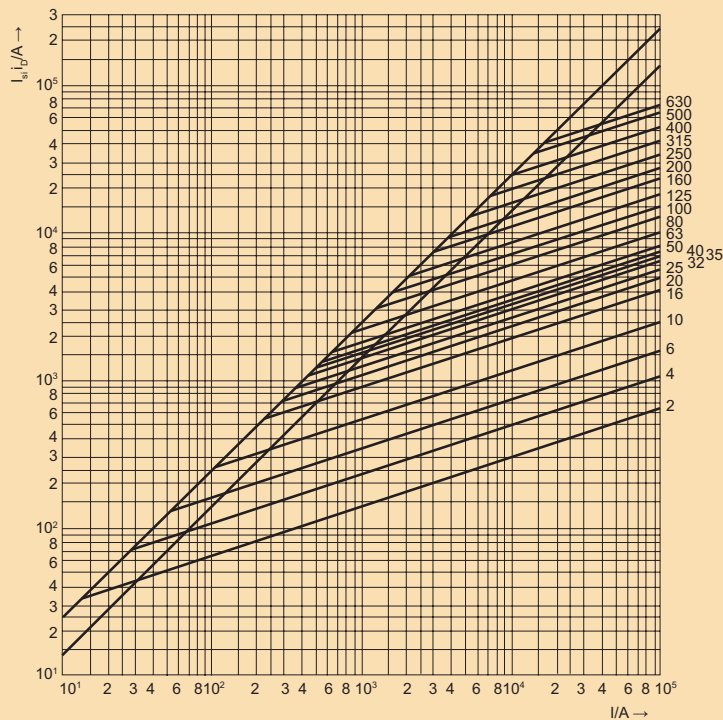


NH熔断器
NH fuse-links

光伏熔断器
Fuses for
photovoltaic
applications

半导体保护熔断器
Fuse-links for
semiconductor
protection

型号 / Type	订货号 / Article-No.	页码 / Page
M...GL.../1200(/K)	N105..., N205..., N305...	N-14f



NH熔断器底座
NH fuse-bases

D型熔断器
D-type fuses

高压熔断器
IKUS HV HRC
fuse-links

附录
Appendix



NH变压器保护gTr熔断器

NH fuse-links utilization category gTr for transformer protection

产品优势 / Convincing advantages



特性

- 可调节变压器容量过载保护



额定KVA

- 熔断器标识按照变压器视在功率
- 考虑非标准额定电流



NH3 630KVA

- 适用标准3号熔断器电流可达910A
- 630KVA变压器NH3号熔断器条形隔离开关馈线保护

绝缘搭扣

- ISM标识端盖和搭扣绝缘
- Isg搭扣与陶瓷体绝缘
- 熔断器底座防止触电保护



Specialised

- Adjusted for ideal utilization of transformer overload capabilities

KVA rating

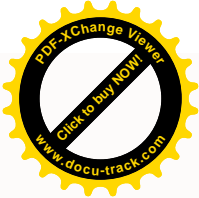
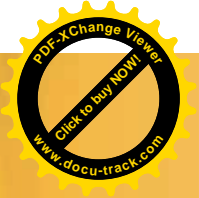
- Fuse-links are rated according to apparent power of transformers
- Takes into account „non-standard“ rated currents

630kVA in size NH3

- Adapted from the standard, up to 910A are implemented in size NH3
- Allows for feeding supplies of 630kVA transformers via compact NH3 strip type fuse-switch-disconnectors

Isolated gripping lugs

- “ism” type combines isolated cover plates with isolated gripping lugs
- “isg” type with gripping lugs mounted into ceramic body isolated from cover plate
- Protection against accidental contact when applied in open fuse-bases or fuseways



使用类别gTr、AC400V、顶部指示器 / Utilization category gTr AC400V with top indicator



U _n	尺码 Size	I _n [A]	S _n [kVA]	指示器 Indicator	耗散功率 Power dissipation P _n [W]	包装 PU	带电搭扣 Live gripping-lugs		绝缘搭扣 Isolated gripping-lugs	
							型号 / Type	订货号 Article-No.	型号 / Type	订货号 Article-No.
400V	2	72	50	顶部指示器 Top indicator	5,8	3	M2TT72	N2304000	M2TT72ISM	N2304018
		108	75		8,5		M2TT108	N2304400	M2TT108ISM	N2304418
		144	100		9,5		M2TT145	N2304700	M2TT144ISM	N2304718
		180	125		12,8		M2TT180	N2305100	M2TT180ISM	N2305118
		231	160		14,6		M2TT231	N2305500	M2TT231ISM	N2305518
		289	200		18,8		M2TT289	N2305700	M2TT289ISM	N2305718
		361	250		23,5		M2TT361	N2306100	M2TT361ISM	N2306118
	3	72	50	顶部指示器 Top indicator	5,8	3	M3TT72	N3304000	M3TT72ISG	N3304008
		108	75		8,5		M3TT108	N3304400	M3TT108ISG	N3304408
		144	100		9,5		M3TT145	N3304700	M3TT145ISG	N3304708
		180	125		12,8		M3TT181	N3305100	M3TT180ISG	N3305108
		231	160		14,6		M3TT231	N3305500	M3TT231ISG	N3305508
		289	200		18,8		M3TT289	N3305700	M3TT289ISG	N3305708
		361	250		23,5		M3TT361	N3306100	M3TT361ISG	N3306108
		455	315		30,5		M3TT455	N3306500	M3TT455ISG	N3306508
		577	400		40,4		M3TT577	N3306700	M3TT577ISG	N3306708
		722	500		49,0		M3GTR722	N3307100	-	-
	909	630	58,0	M3GTR910	N3307500	-	-			
	4a	72	50	顶部指示器 Top indicator	8,8	1	M4aTT72	N4304000	-	-
		108	75		9,3		M4aTT108	N4304400	-	-
		144	100		10,9		M4aTT144	N4304700	-	-
		180	125		13,0		M4aTT180	N4305100	-	-
		231	160		17,6		M4aTT231	N4305500	-	-
		289	200		20,2		M4aTT289	N4305700	-	-
		361	250		25,6		M4aTT361	N4306100	-	-
		455	315		31,4		M4aTT455	N4306500	-	-
		577	400		37,5		M4aTT577	N4306700	-	-
		722	500		50,5		M4aTT722	N4307100	-	-
		909	630		61,0		M4aTT909	N4307500	-	-
		1155	800		92,0		M4aTT1155	N4307700	-	-
1500		1000	98,0		M4aTT1443		N4308200	-	-	

NH熔断器
NH fuse-links

光伏熔断器
Fuses for
photovoltaic
applications

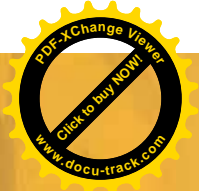
半导体保护熔断器
Fuse-links for
semiconductor
protection

NH熔断器底座
NH fuse-bases

D型熔断器
D-type fuses

高压熔断器
IKUS HV HRC
fuse-links

附录
Appendix

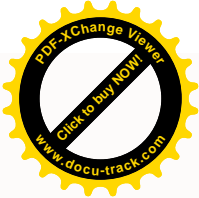
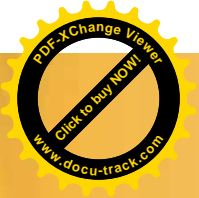


NH熔断器 / NH fuse-links

使用类别gTr、AC400V、中间指示器 / Utilization category gTr AC400V with centre indicator

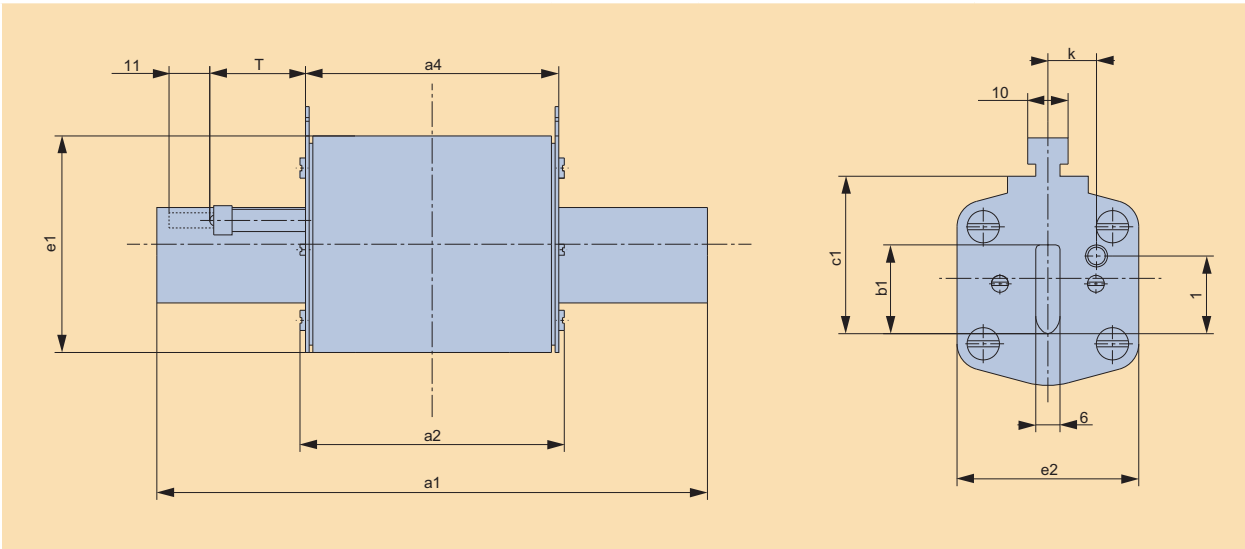


U _n	尺码 Size	I _n [A]	S _n [kVA]	指示器 Indicator	耗散功率 Power dissipation P _n [W]	包装 PU	带电搭扣 Live gripping-lugs		绝缘搭扣 Isolated gripping-lugs	
							型号 / Type	订货号 Article-No.	型号 / Type	订货号 Article-No.
400V	2	72	50	中间指示器 Centre indicator	5,8	3	M2TT72MI	N2304004	M2TT72MI/ISM	N2304019
		108	75		8,5		M2TT108MI	N2304404	M2TT108MI/ISM	N2304419
		144	100		9,5		M2TT144MI	N2304704	M2TT144MI/ISM	N2304719
		180	125		12,8		M2TT180MI	N2305104	M2TT180MI/ISM	N2305119
		231	160		14,6		M2TT231MI	N2305504	M2TT321MI/ISM	N2305519
		289	200		18,8		M2TT289MI	N2305704	M2TT289MI/ISM	N2305719
		361	250		23,5		M2TT361MI	N2306104	M2TT361MI/ISM	N2306119
		72	50		5,8		M3TT72MI	N3304004	M3TT72MI/ISG	N3304012
		108	75		8,5		M3TT108MI	N3304404	M3TT108MI/ISG	N3304412
	144	100	9,5	M3TT145MI	N3304704	M3TT145MI/ISG	N3304712			
	180	125	12,8	M3TT180MI	N3305104	M3TT181MI/ISG	N3305112			
	231	160	14,6	M3TT231MI	N3305504	M3TT231MI/ISG	N3305512			
	289	200	18,8	M3TT289MI	N3305704	M3TT289MI/ISG	N3305712			
	361	250	23,5	M3TT361MI	N3306104	M3TT361MI/ISG	N3306112			
	455	315	30,5	M3TT455MI	N3306504	M3TT455MI/ISG	N3306512			
	577	400	40,4	M3TT577MI	N3306704	M3TT577MI/ISG	N3306712			
	722	500	49,0	M3GTR722MI	N3307104	-	-			
	909	630	58,0	M3GTR910MI	N3307504	-	-			



技术参数 / *Technical data*

型号 / Type			M2GTR(TT)...	M3GTR(TT)...		
尺码 / Size	-	-	NH2	NH3		
额定电压 / Rated voltage	U_n	V	AC400	AC400		
额定电流 / Rated current	I_n	A	72-361	72-361	455-577	722-909
变压器容量 / Transformer rating	S_n	kVA	50-250	50-250	315-400	500-630
额定分断能力 / Rated breaking capacity	-	kA	100	100		
使用类别 / Utilization category	-	-	gTr	gTr		
标准 / Standards	-	-	IEC/EN 60269-1 DIN VDE 0636-2011			
尺寸 / Dimensions	a1	mm	150	150	150	150
	a2		72	72	72	73
	a4		67	67	67	67
	b1		26	26	33	37
	c1		48	60	60	60
	e1		63	74	74	76
	e2		54	54	65	73
重量 / Weight	-	g	500	510	923	940



NH熔断器
NH fuse-links

光伏熔断器
Fuses for
photovoltaic
applications

半导体保护熔断器
Fuse-links for
semiconductor
protection

NH熔断器底座
NH fuse-bases

D型熔断器
D-type fuses

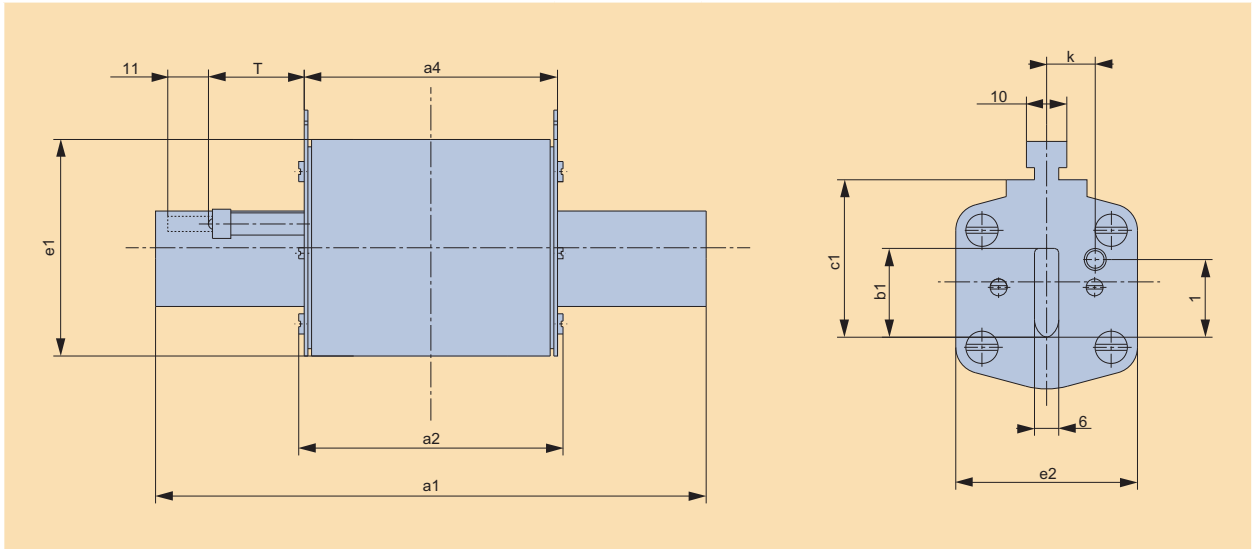
高压熔断器
IKUS HV HRC
fuse-links

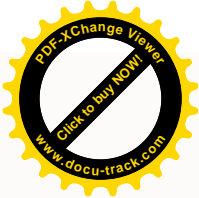
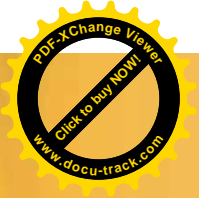
附录
Appendix



技术参数 / Technical data

型号 / Type			M4aGTR(TT)...
尺码 / Size	-	-	NH4a
额定电压 / Rated voltage	U_n	V	AC400
额定电流 / Rated current	I_n	A	72-1443
变压器容量 / Transformer rating	S_n	kVA	50-1000
额定分断能力 / Rated breaking capacity	-	kA	100
使用类别 / Utilization category	-	-	gTr
标准 / Standards	-	-	IEC/EN 60269-1 DIN VDE 0636-2011
尺寸 / Dimensions	a1	mm	200
	a2		98
	a4		90
	b1		50
	c1		85
	e1		112
	e2		96
重量 / Weight	-	g	2170

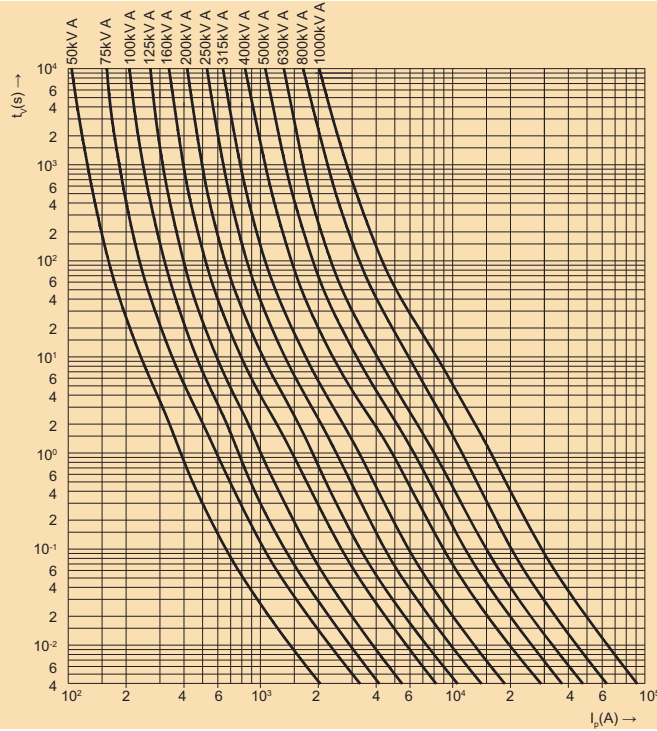




特性 / *Characteristics*

时间电流特性 / Time current characteristics

型号 / Type	订货号 / Article-No.	页码 / Page
M...GTR(TT)...(MI)	N230..., N330..., N430...	N-29f
MSMK...TT...	M130..., M230..., M330..., M430...	N-60f



NH熔断器
NH fuse-links

光伏熔断器
Fuses for photovoltaic applications

半导体保护熔断器
Fuse-links for semiconductor protection

NH熔断器底座
NH fuse-bases

D型熔断器
D-type fuses

高压熔断器
IKUS HV HRC fuse-links

附录
Appendix



NH马达保护aM熔断器

NH fuse-links utilization category aM for motor circuit protection

产品优势 / *Convincing advantages*



马达保护

- 马达短路保护应用类别aM
- 马达启动器后备式保护的经济型替换产品
- 遵照EN 60947-4-1, 节约成本的2种马达保护方式



额定电压

- 交流500V时120kA的分断能力
- 交流690V时80kA的分断能力



指示

- 交流500V aM熔断器有撞击器触发微动开关的产品可供选择

Motor protection

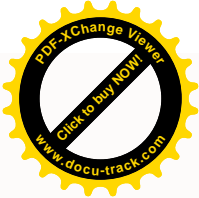
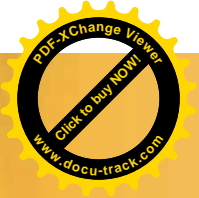
- Utilization category aM for short circuit protection of motors
- As back-up protection economic alternative to overdimensioning of motor starters
- Allows for cost effective implementation of type 2 motor protection according EN 60947-4-1

Rated voltages

- AC500V with 120kA rated breaking capacity
- AC690V with 80kA rated breaking capacity

Indication

- aM fuse-links AC500V optionally available with striker for monitoring fuse tripping



使用类别aM、AC500V/AC690V、顶部指示器 / Utilization category aM AC500V/AC690V with top indicator



尺码 Size	I _n [A]	指示器 Indicator	耗散功率 Power dissipation P _n [W]	包装 PU	U _n : AC500V 带电搭扣 Live gripping-lugs		U _n : AC690V 带电搭扣 Live gripping-lugs				
					型号 / Type	订货号 Article-No.	型号 / Type	订货号 Article-No.			
000	2	顶部指示器 Top indicator	<1,00	3	M000AM2	N5110950	M000AM2/69	N5180950			
	4		<1,00		M000AM4	N5111250	M000AM4/69	N5181250			
	6		<1,00		M000AM6	N5111450	M000AM6/69	N5181450			
	10		<1,00		M000AM10	N5111750	M000AM10/69	N5181750			
	16		1,1		M000AM16	N5112250	M000AM16/69	N5182250			
	20		1,3		M000AM20	N5112450	M000AM20/69	N5182450			
	25		1,5		M000AM25	N5112650	M000AM25/69	N5182650			
	32		2,0		M000AM32	N5112950	M000AM32/69	N5182950			
	35		2,3		M000AM35	N5113150	M000AM35/69	N5183150			
	40		2,5		M000AM40	N5113450	M000AM40/69	N5183450			
	50*		3,1		M000AM50	N5113550	M00AM50/69	N5183514			
	63*		3,9		M000AM63	N5113850	M00AM63/69	N5183814			
	00		80		顶部指示器 Top indicator	4,8	3	M00AM80	N5114114	M00AM80/69	N5184114
100		6,8	M00AM100	N5114314		M00AM100/69		N5184314			
125		8,2	M00AM125	N5114616		M00AM125/69		N5184616			
160		10,3	M00AM160	N5114916		M00AM160/69		N5184916			
1	63	顶部指示器 Top indicator	4,3	3	M1AM63	N1113800	M1AM63/69	N1183800			
	80		5,2		M1AM80	N1114100	M1AM80/69	N1184100			
	100		6,2		M1AM100	N1114300	M1AM100/69	N1184300			
	125		7,8		M1AM125	N1114600	M1AM125/69	N1184600			
	160		9,4		M1AM160	N1114900	M1AM160/69	N1184900			
	200		12,0		M1AM200	N1115200	M1AM200/69	N1185200			
	224		13,0		M1AM224	N1115300	M1AM224/69	N1185300			
2	250	顶部指示器 Top indicator	14,0	3	M2AM250	N2115600	M2AM250/69	N2185600			
	315		22,0		M2AM315	N2115900	M2AM315/69	N2185900			
	355		28,0		M2AM355	N2116000	M2AM355/69	N2186000			
	400		33,0		M2AM400	N2116200	M2AM400/69	N2186200			
	3		400		顶部指示器 Top indicator	33,0	3	M3AM400	N3116200	M3AM400/69	N3186200
			500			41,0		M3AM500	N3116600	M3AM500/69	N3186600
			630			50,0		M3AM630	N3116900	M3AM630/69	N3186900
4a	800	顶部指示器 Top indicator	65,0	1	M4A/AM800	N4117200	M4A/AM800/69	N4187200			
	1000		81,0		M4A/AM1000	N4117600	M4A/AM1000/69	N4187600			
	1250		110,0		M4A/AM1250	N4117900	-	-			

NH熔断器
NH fuse-links

光伏熔断器
Fuses for
photovoltaic
applications

半导体保护熔断器
Fuse-links for
semiconductor
protection

NH熔断器底座
NH fuse-bases

D型熔断器
D-type fuses

高压熔断器
IKUS HV HRC
fuse-links

附录
Appendix

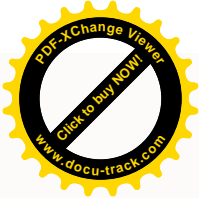
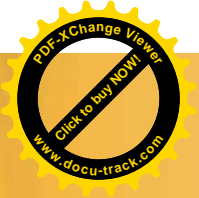
* AC690V in NH00



NH熔断器 / NH fuse-links

使用类别aM、AC500V、带撞击器 / Utilization category aM AC500V with striker

U _n	尺码 Size	I _n [A]	指示器 Indicator	耗散功率 Power dissipation P _n [W]	包装 PU	带电搭扣 Live gripping-lugs				
						型号 / Type	订货号 Article-No.			
500V	000	2	撞击器 Striker	<1,00	3	M000AM2K	N5110913			
		4		<1,00		M000AM4K	N5111213			
		6		<1,00		M000AM6K	N5111413			
		10		<1,00		M000AM10K	N5111713			
		16		1,1		M000AM16K	N5112213			
		20		1,3		M000AM20K	N5112413			
		25		1,5		M000AM25K	N5112613			
		32		2,0		M000AM32K	N5112913			
		35		2,3		M000AM35K	N5113113			
		40		2,5		M000AM40K	N5113413			
		50		3,1		M000AM50K	N5113513			
		63		3,9		M000AM63K	N5113813			
		00		80		撞击器 Striker	4,8	3	M00AM80K	N5114110
				100		6,8	M00AM100K		N5114310	
	1	撞击器 Striker	63	4,3	3	M1AM63K	N1113824			
			80	5,2		M1AM80K	N1114124			
			100	6,2		M1AM100K	N1114324			
			125	7,8		M1AM125K	N1114624			
			160	9,4		M1AM160K	N1114924			
			200	12,0		M1AM200K	N1115224			
			224	13,0		M1AM224K	N1115324			
			250	14,0		M1AM250K	N1115624			
	2	撞击器 Striker	160	9,4	3	M2AM160K	N2114924			
			200	12,0		M2AM200K	N2115224			
			224	13,0		M2AM224K	N2115324			
			250	14,0		M2AM250K	N2115624			
			315	22,0		M2AM315K	N2115924			
			355	28,0		M2AM355K	N2116024			
	3	撞击器 Striker	400	33,0	3	M3AM400K	N3116224			
			500	41,0		M3AM500K	N3116624			
			630	50,0		M3AM630K	N3116924			
	4a	撞击器 Striker	800	65,0	1	M4A/AM800K	N4117224			
			1000	81,0		M4A/AM1000K	N4117624			

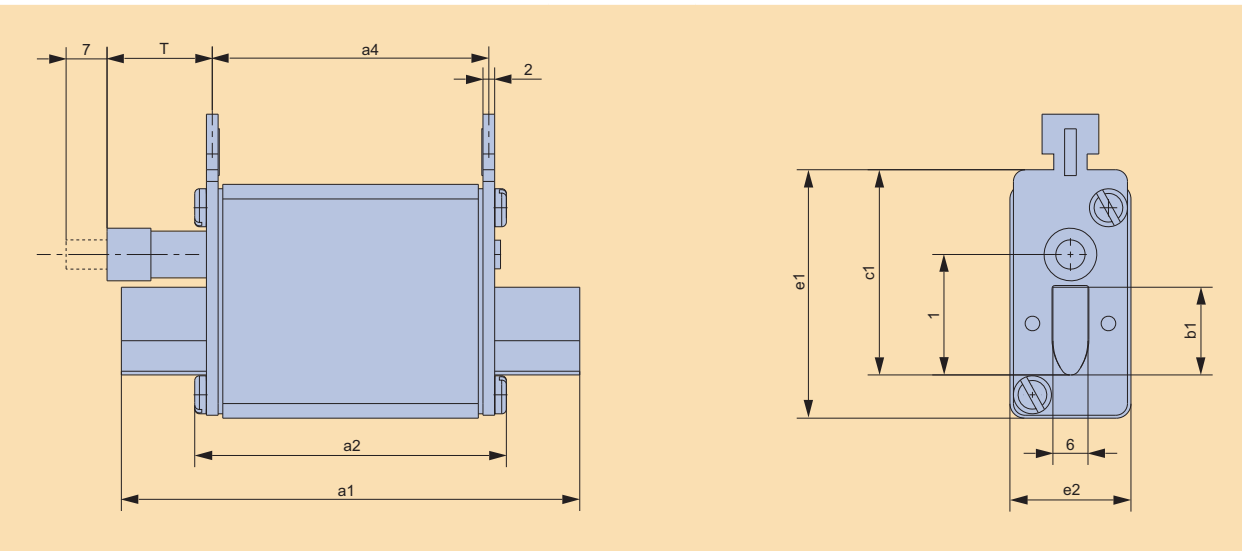


技术参数 / *Technical data*

型号 / Type			M000aM...(/K)	M00aM...(/K)
尺码 / Size	-	-	NH000	NH00
额定电压 / Rated voltage	U_n	V	AC500V	
额定电流 / Rated current	I_n	A	2-100	125-160
额定分断能力 / Rated breaking capacity	-	kA	120	
使用类别 / Utilization category	-	-	aM	
标准 / Standards	-	-	IEC/EN 60269-1 DIN VDE 0636-2	
尺寸 / Dimensions	a1	mm	78,5	78,5
	a2		53	53
	a4		49	49
	b1		15	15
	c1		35	35
	e1		43	49
	e2		21	30
撞击器尺寸 / Dimensions striker	T	-	17	17
	k	-	-	-
	l	-	20,5	20,5
重量 / Weight	-	g	125	173

NH熔断器
NH fuse-links

光伏熔断器
Fuses for
photovoltaic
applications



半导体保护熔断器
Fuse-links for
semiconductor
protection

NH熔断器底座
NH fuse-bases

D型熔断器
D-type fuses

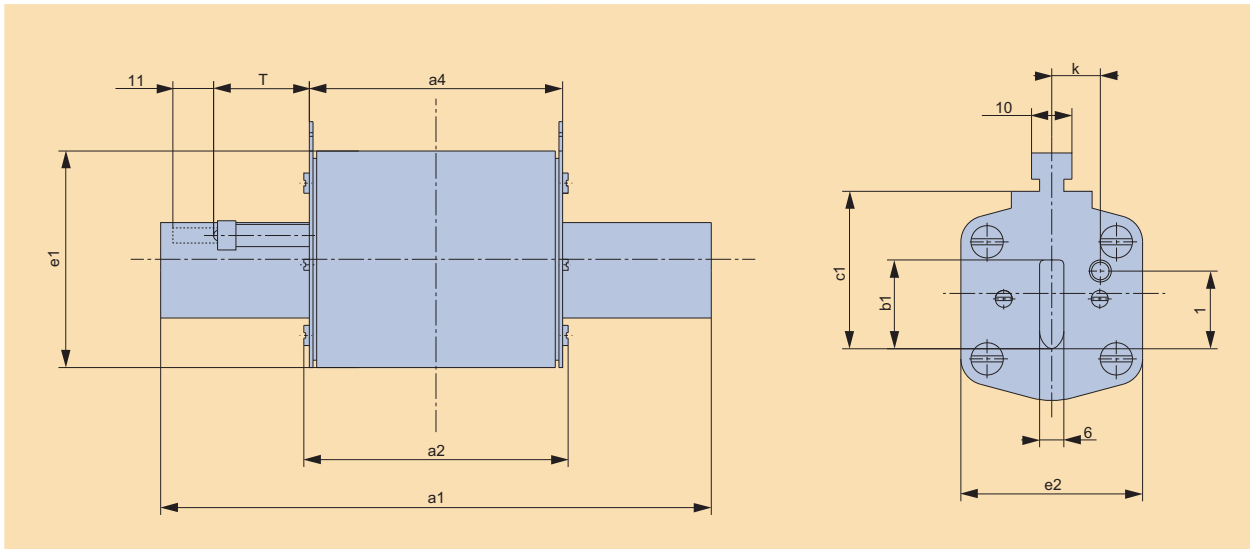
高压熔断器
IKUS HV HRC
fuse-links

附录
Appendix

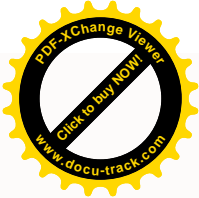
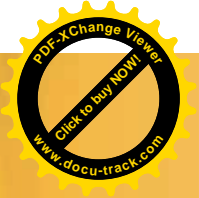


技术参数 / Technical data

型号 / Type			M1aM...(/K)	M2aM...(/K*)	
尺码 / Size	-	-	NH1	NH2	
额定电压 / Rated voltage	U_n	V	AC500	AC500	
额定电流 / Rated current	I_n	A	63-250	160*	200-400
额定分断能力 / Rated breaking capacity	-	kA	120	120	
使用类别 / Utilization category	-	-	aM	aM	
标准 / Standards	-	-	IEC/EN 60269-1 DIN VDE 0636-2	IEC/EN 60269-1 DIN VDE 0636-2	
尺寸 / Dimensions	a1	mm	135	150	150
	a2		72	72	72
	a4		67	67	67
	b1		20	20	26
	c1		40	48	48
	e1		55	63	63
	e2		46	46	54
撞击器尺寸 / Dimensions striker	T	-	26	-	26
	k	-	13,7	-	16,2
	l	-	20,5	-	27,3
重量 / Weight	-	g	430	430	500



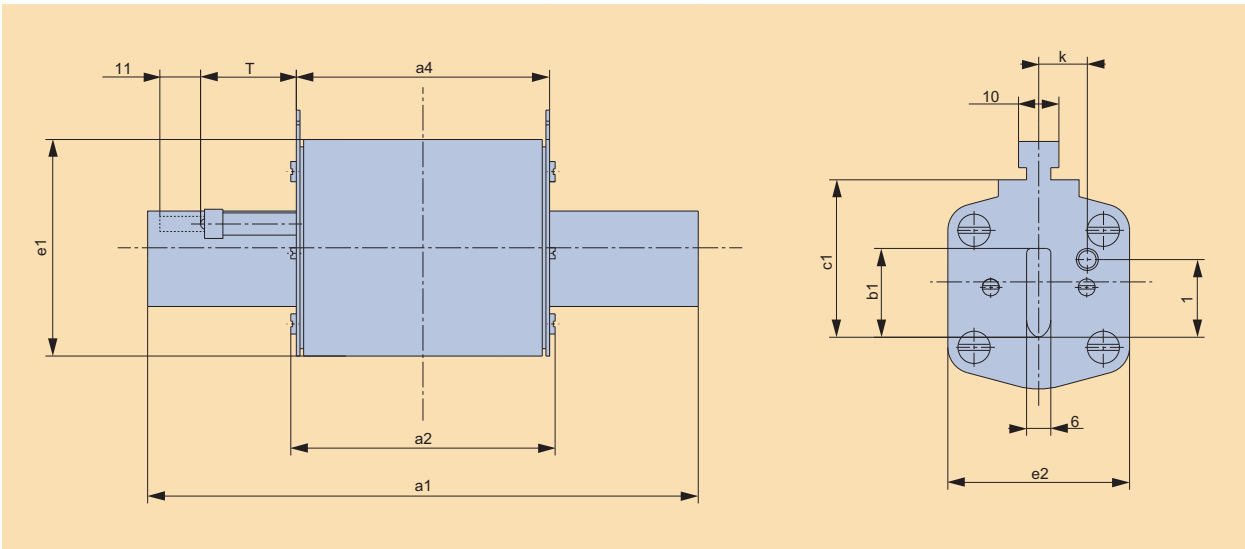
* 带撞击器型号 (/K) 的尺寸是同一规格中最大的 / Striker types (/K) always have maximum dimensions of the respective size



型号 / Type			M3aM...(/K)	M4a/aM...(/K)
尺码 / Size	-	-	NH3	NH4a
额定电压 / Rated voltage	U_n	V	AC500	AC500
额定电流 / Rated current	I_n	A	400-630	800-1250
额定分断能力 / Rated breaking capacity	-	kA	120	120
使用类别 / Utilization category	-	-	aM	aM
标准 / Standards	-	-	IEC/EN 60269-1 DIN VDE 0636-2	IEC/EN 60269-1 DIN VDE 0636-2
尺寸 / Dimensions	a1	mm	150	200
	a2		72	98
	a4		67	90
	b1		33	50
	c1		60	85
	e1		74	112
	e2		65	96
撞击器尺寸 / Dimensions striker	T	-	26	26
	k	-	17	24
	l	-	35,6	49
重量 / Weight	-	g	923	2170

NH熔断器
NH fuse-links

光伏熔断器
Fuses for
photovoltaic
applications



半导体保护熔断器
Fuse-links for
semiconductor
protection

NH熔断器底座
NH fuse-bases

D型熔断器
D-type fuses

高压熔断器
IKUS HV HRC
fuse-links

附录
Appendix

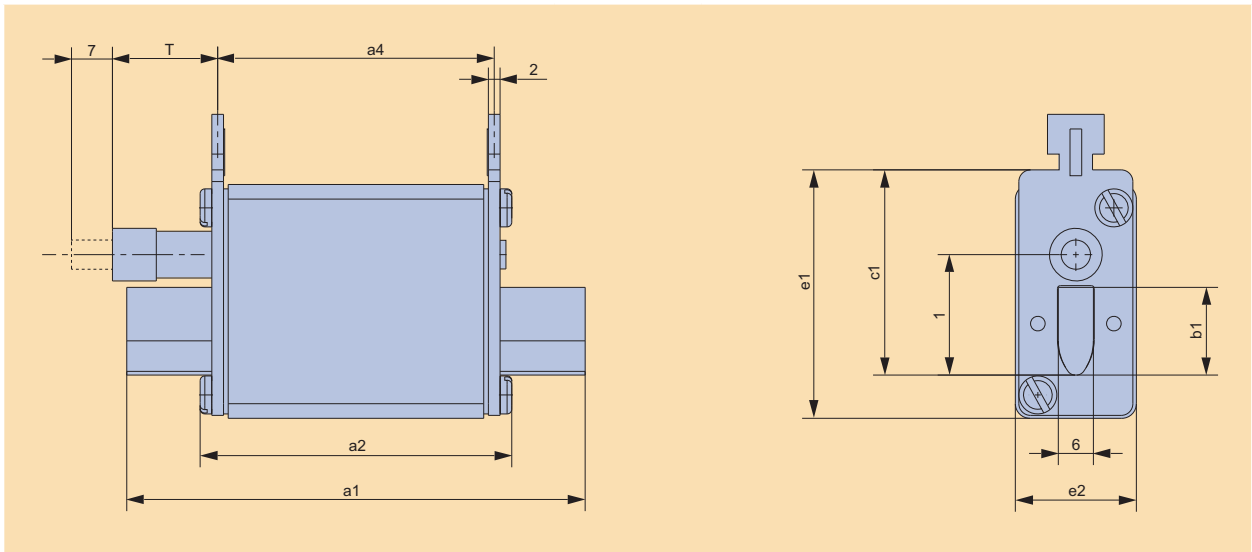
* 带撞击器型号 (/K) 的尺寸是同一规格中最大的 / Striker types (/K) always have maximum dimensions of the respective size

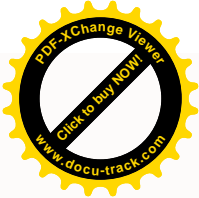
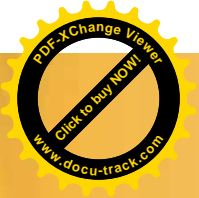


NH熔断器 / NH fuse-links

技术参数 / *Technical data*

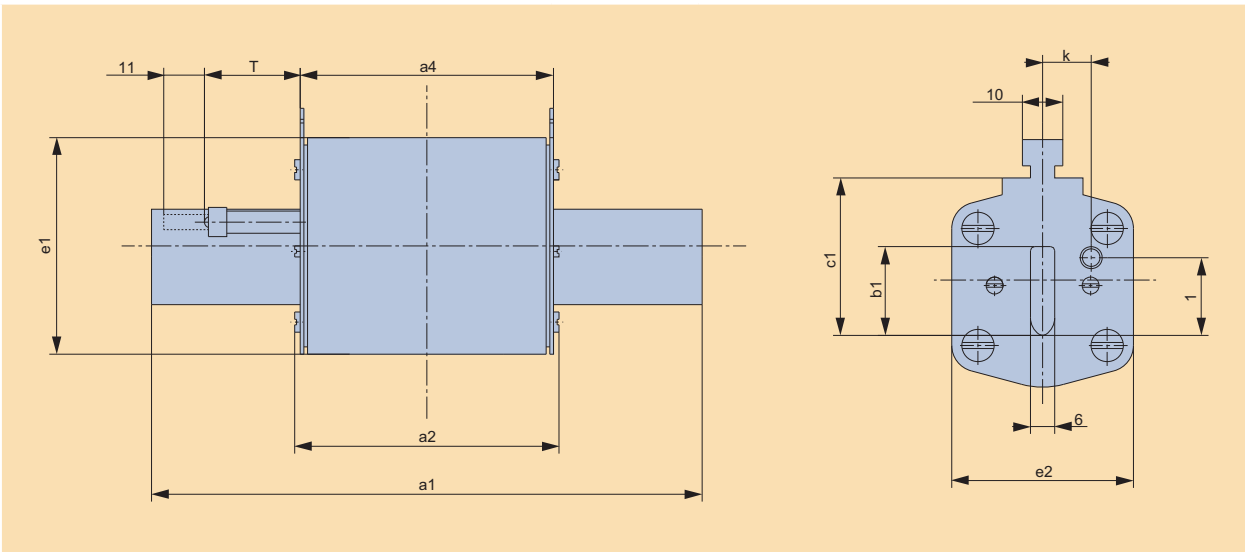
型号 / Type			M000aM.../69	M00aM.../69
尺码 / Size	-	-	NH000	NH00
额定电压 / Rated voltage	U_n	V	AC690V	
额定电流 / Rated current	I_n	A	2-40	50-160
额定分断能力 / Rated breaking capacity	-	kA	80	
使用类别 / Utilization category	-	-	aM	
标准 / Standards	-	-	IEC/EN 60269-1 DIN VDE 0636-2	
尺寸 / Dimensions	a1	mm	78,5	78,5
	a2		53	53
	a4		49	49
	b1		15	15
	c1		35	35
	e1		43	49
	e2		21	30
重量 / Weight	-	g	125	173





技术参数 / *Technical data*

型号 / Type			M1aM.../69	M2aM.../69	
尺码 / Size	-	-	NH1	NH2	
额定电压 / Rated voltage	U_n	V	AC690	AC690	
额定电流 / Rated current	I_n	A	63-250	160	200-400
额定分断能力 / Rated breaking capacity	-	kA	80	80	
使用类别 / Utilization category	-	-	aM	aM	
标准 / Standards	-	-	IEC/EN 60269-1 DIN VDE 0636-2	IEC/EN 60269-1 DIN VDE 0636-2	
尺寸 / Dimensions	a1	mm	135	150	150
	a2		72	72	72
	a4		67	67	67
	b1		20	20	26
	c1		40	48	48
	e1		55	63	63
	e2		46	46	54
重量 / Weight	-	g	430	430	500



NH熔断器
NH fuse-links

光伏熔断器
Fuses for
photovoltaic
applications

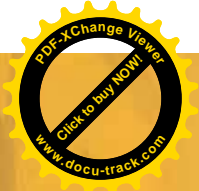
半导体保护熔断器
Fuse-links for
semiconductor
protection

NH熔断器底座
NH fuse-bases

D型熔断器
D-type fuses

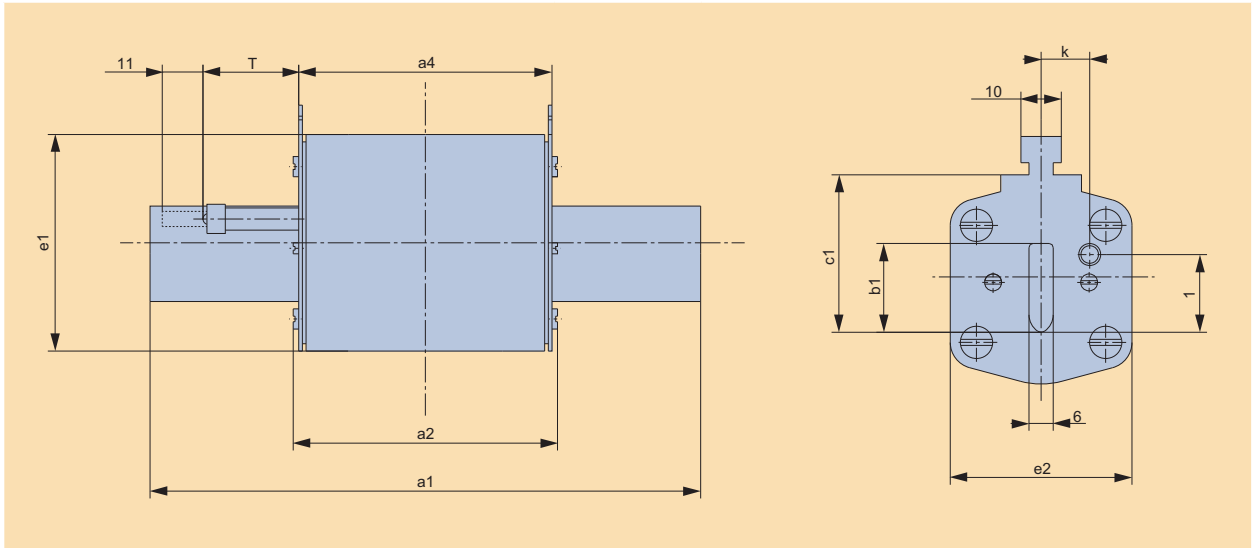
高压熔断器
IKUS HV HRC
fuse-links

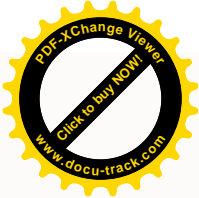
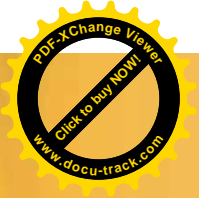
附录
Appendix



NH熔断器 / NH fuse-links

型号 / Type			M3aM.../69	M4a/aM.../69
尺码 / Size	-	-	NH3	NH4a
额定电压 / Rated voltage	U_n	V	AC690	AC690
额定电流 / Rated current	I_n	A	400-630	800-1000
额定分断能力 / Rated breaking capacity	-	kA	80	80
使用类别 / Utilization category	-	-	aM	aM
标准 / Standards	-	-	IEC/EN 60269-1 DIN VDE 0636-2	IEC/EN 60269-1 DIN VDE 0636-2
尺寸 / Dimensions	a1	mm	150	200
	a2		72	98
	a4		67	90
	b1		33	50
	c1		60	85
	e1		74	112
	e2		65	96
撞击器尺寸 / Dimensions striker	T	-	26	26
	k	-	17	24
	l	-	35,6	49
重量 / Weight	-	g	923	2170

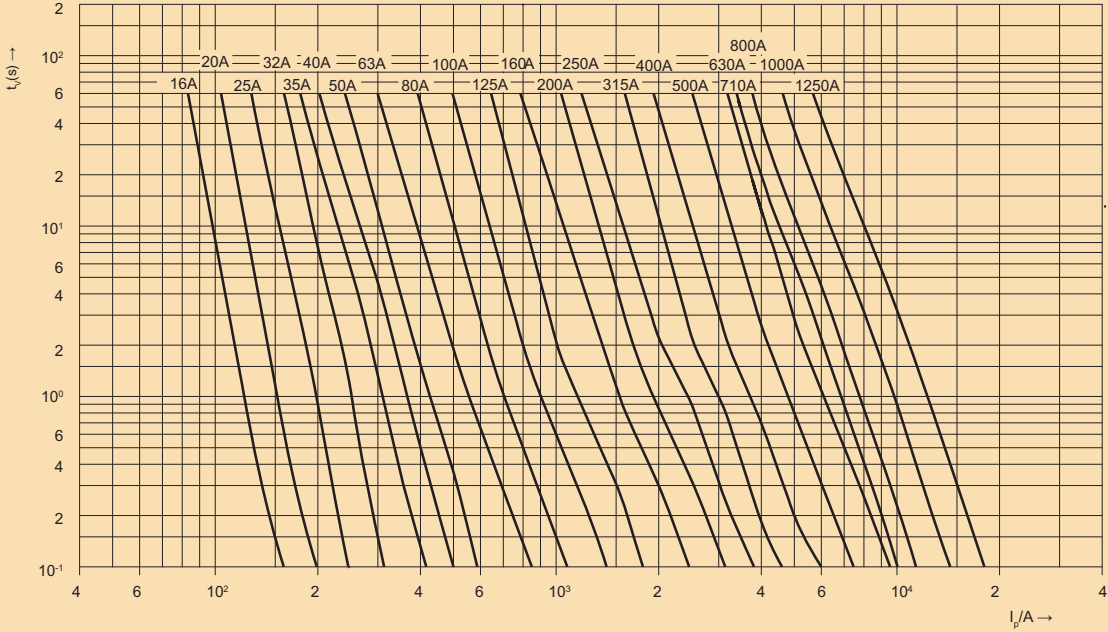




特性 / *Characteristics*

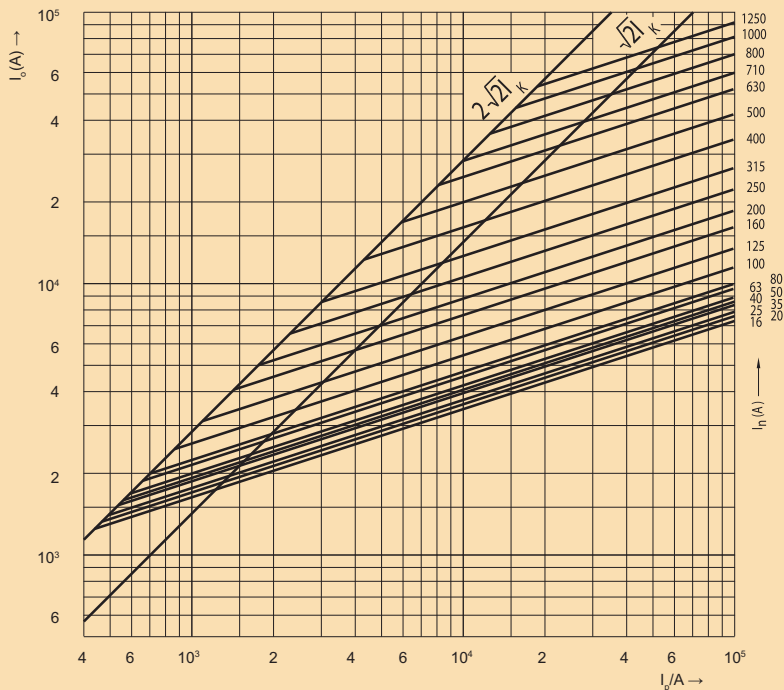
时间电流特性 / *Time current characteristics*

型号 / Type	订货号 / Article-No.	页码 / Page	型号 / Type	订货号 / Article-No.	页码 / Page
M...aM...(K)	N511..., N111..., N211..., N311..., N411...	N-35f	M...aM.../69	N518..., N118..., N218..., N318..., N418...	N-35f



截断电流图 / *Peak let-through current chart*

型号 / Type	订货号 / Article-No.	页码 / Page	型号 / Type	订货号 / Article-No.	页码 / Page
M...aM...(K)	N511..., N111..., N211..., N311..., N411...	N-35f	M...aM.../69	N518..., N118..., N218..., N318..., N418...	N-35f



NH熔断器
NH fuse-links

光伏熔断器
Fuses for
photovoltaic
applications

半导体保护熔断器
Fuse-links for
semiconductor
protection

NH熔断器底座
NH fuse-bases

D型熔断器
D-type fuses

高压熔断器
IKUS HV HRC
fuse-links

附录
Appendix



NH直流应用DC熔断器 NH fuse-links for DC applications

产品优势 / *Convincing advantages*



直流DC80V产品

- 最高载流能力可达800A
- 紧凑尺寸NH00
- 熔断器隔离开关适用



直流DC250V产品

- 最高载流315A
- 紧凑尺寸NH00
- 熔断器隔离开关适用



各种应用

- 直流80V是通信专用短路保护
- 直流250V和直流440V用于普通直流过载和短路保护

Compact dimensions DC80V

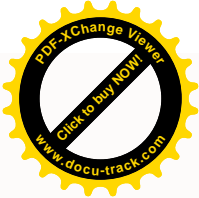
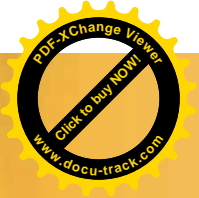
- High current carrying capacity up to 800A
- Compact size NH00
- Suitable NH fuse-switch-disconnectors available

Compact dimensions DC250V

- High current carrying capacity up to 315A
- Compact size NH00
- Suitable NH fuse-switch-disconnectors available

Various applications

- DC80V especially for short circuit protection in power supply systems for telecommunication
- DC250V and DC440V for protection against overload and short circuit in common DC applications



NH00熔断器，DC80V作为电信的电源 / **NH00 fuse-links DC80V for telecommunication power supply**

U _n	尺码 Size	I _n [A]	耗散功率 Power dissipation P _n [W]	包装 PU	顶部指示器 / Top indicator 带电搭扣 Live gripping-lugs		撞击器 / Striker 绝缘搭扣 Isolated gripping-lugs	
					型号 / Type	订货号 Article-No.	型号 / Type	订货号 Article-No.
DC80V	00	160	9,0	3	M00DC160/80V	N5604971	M00DC160/80V/K	N5604970
		250*	12,0		M00DC250/80V	N5605671	M00DC250/80V/K	N5605670
		400*	18,0		M00DC400/80V	N5606271	M00DC400/80V/K	N5606270
		630*	28,0		M00DC630/80V	N5606971	M00DC630/80V/K	N5606970
		800*	39,0		M00DC800/80V	N5607271	M00DC800/80V/K	N5607270



NH熔断器
NH fuse-links

光伏熔断器
Fuses for
photovoltaic
applications

* 仅与金米勒低压熔断器隔离开关在通讯应用中使用 (目录“配电组件2009”，P.T-20)

* Use only in connection with JEAN MÜLLER LV HRC fuse switch deisconnectors for telecom applications (Catalogue “Current distribution components 2009”, p. T-20)

半导体保护熔断器
Fuse-links for
semiconductor
protection

DC250V NH00熔断器 / **NH00 fuse-links DC250V**

U _n	尺码 Size	I _n [A]	耗散功率 Power dissipation P _n [W]	包装 PU	顶部指示器 / Top indicator 带电搭扣 Live gripping-lugs		撞击器 / Striker 绝缘搭扣 Isolated gripping-lugs	
					型号 / Type	订货号 Article-No.	型号 / Type	订货号 Article-No.
DC250V	00	63	7,5	3	M00DC63/250V	N5603873	M00DC63/250V/K	N5603874
		100	9,4		M00DC100/250V	N5604373	M00DC100/250V/K	N5604374
		160	13,8		M00DC160/250V	N5604973	M00DC160/250V/K	N5604974
		200*	18,9		M00DC200/250V	N5605273	M00DC200/250V/K	N5605274
		250*	21,2		M00DC250/250V	N5605673	M00DC250/250V/K	N5605674
		315*	23,5		M00DC315/250V	N5605973	M00DC315/250V/K	N5605974



NH熔断器底座
NH fuse-bases

D型熔断器
D-type fuses

* 仅与金米勒低压熔断器隔离开关在通讯应用中使用 (目录“配电组件2009”，P.T-20)

* Use only in connection with JEAN MÜLLER LV HRC fuse switch deisconnectors for telecom applications (Catalogue “Current distribution components 2009”, p. T-20)

高压熔断器
IKUS HV HRC
fuse-links

附录
Appendix

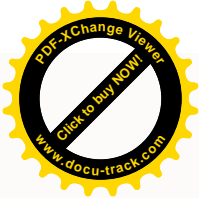
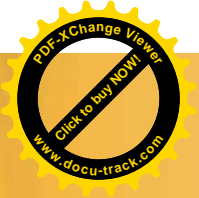


NH熔断器 / NH fuse-links

NH熔断器 DC440V / NH fuse-links DC440V

U _n	尺码 Size	I _n [A]	指示器 Indicator	耗散功率 Power dissipation P _n [W]	包装 PU	带电搭扣 Live gripping-lugs	
						型号 / Type	订货号 Article-No.
DC440V	000	20	顶部指示器 Top indicator	max. 7,2	3	M000DC20/440V	N5612400
		25				M000DC25/440V	N5612600
		32				M000DC32/440V	N5612900
		40				M000DC40/440V	N5613400
		50				M000DC50/440V	N5613500
	00	63	顶部指示器 Top indicator	max. 15,1	3	M00DC63/440V	N5613800
		80				M00DC80/440V	N5614100
		100				M00DC100/440V	N5614300
		125				M00DC125/440V	N5614600
		160				M00DC160/440V	N5614900
	1	20-160	顶部指示器 Top indicator	max. 21,9	3	M1DC20/440V	N1612400
						M1DC25/440V	N1612600
						M1DC32/440V	N1612900
						M1DC40/440V	N1613400
						M1DC50/440V	N1613500
						M1DC63/440V	N1613800
						M1DC80/440V	N1614100
						M1DC100/440V	N1614300
		200-250	顶部指示器 Top indicator	max. 31,3	3	M1DC125/440V	N1614600
						M1DC160/440V	N1614900
						M1DC200/440V	N1615200
						M1DC250/440V	N1615600





技术参数 / *Technical data*

型号 / Type			M00DC.../80V(K)
尺码 / Size	-	-	NH00
额定电压 / Rated voltage	U_n	V	DC80
额定电流 / Rated current	I_n	A	160-800
额定分断能力 / Rated breaking capacity	-	kA	25
时间常数 / Time constant	L/R	ms	20
分断范围 / Breaking range	-	-	部分范围 / <i>Partial-range</i>
标准 / Standards	-	-	IEC/EN 60269-1 DIN VDE 0636-2
尺寸 / Dimensions	a1	mm	86,5
	a2		53
	a4		47
	b1		15
	c1		35
	e1		47
	e2		28
撞击器尺寸 / Dimensions striker	T	-	17
	k	-	-
	l	-	20,5
重量 / Weight	-	g	208

NH熔断器
NH fuse-links

光伏熔断器
Fuses for
photovoltaic
applications

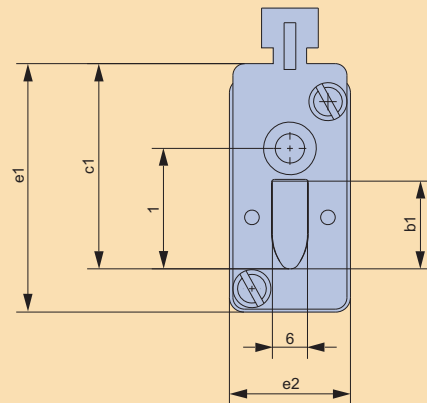
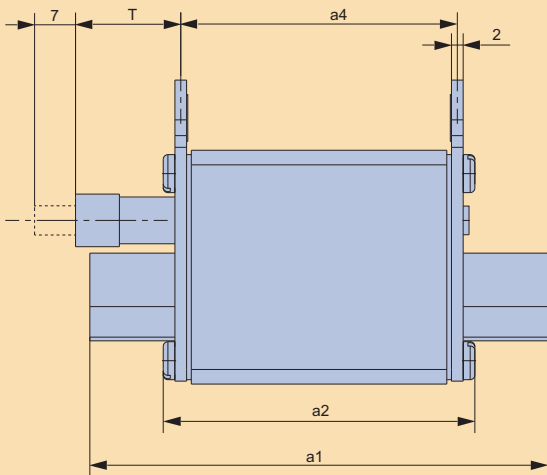
半导体保护熔断器
Fuse-links for
semiconductor
protection

NH熔断器底座
NH fuse-bases

D型熔断器
D-type fuses

高压熔断器
IKUS HV HRC
fuse-links

附录
Appendix

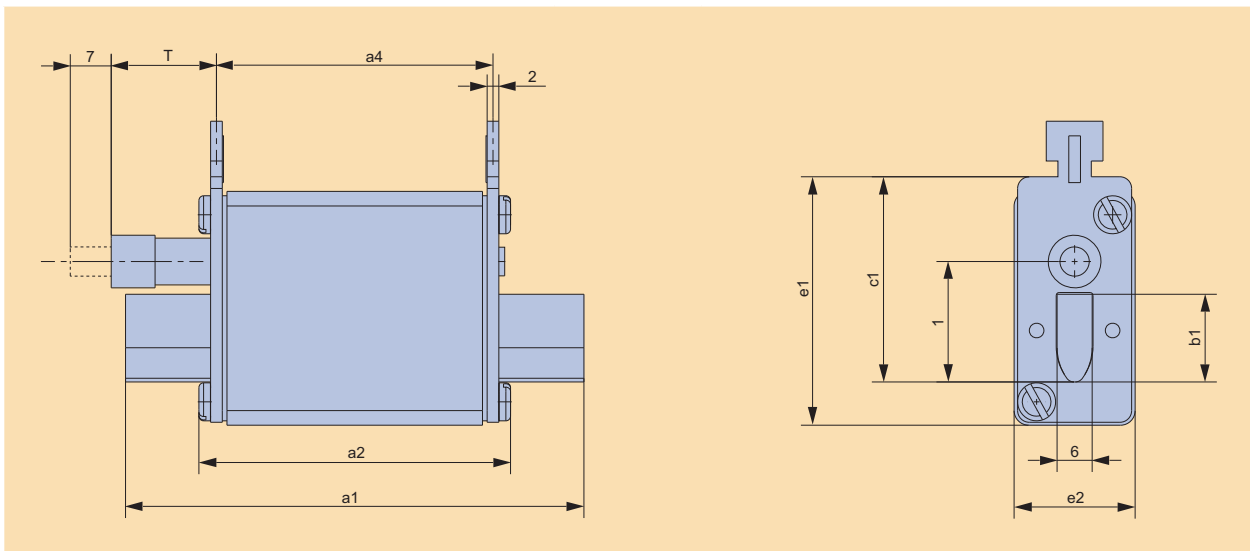


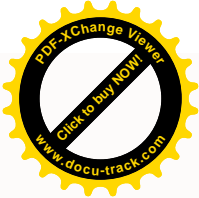
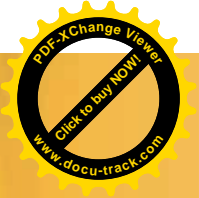


NH熔断器 / NH fuse-links

技术参数 / *Technical data*

型号 / Type			M00DC.../250V(K)
尺码 / Size	-	-	NH00
额定电压 / Rated voltage	U_n	V	DC250
额定电流 / Rated current	I_n	A	63-315
额定分断能力 / Rated breaking capacity	-	kA	25
时间常数 / Time constant	L/R	ms	20
分断范围 / Breaking range	-	-	部分范围 / <i>Partial-range</i>
标准 / Standards	-	-	IEC/EN 60269-1 DIN VDE 0636-2
尺寸 / Dimensions	a1	mm	86,5
	a2		53
	a4		47
	b1		15
	c1		35
	e1		47
	e2		28
撞击器尺寸 / Dimensions striker	T	-	17
	k	-	-
	l	-	20,5
重量 / Weight	-	g	208





技术参数 / *Technical data*

型号 / Type			M000DC.../440V	M00DC.../440V
尺码 / Size	-	-	NH000	NH00
额定电压 / Rated voltage	U_n	V	DC440	
额定电流 / Rated current	I_n	A	20-50	63-160
额定分断能力 / Rated breaking capacity	-	kA	50	
时间常数 / Time constant	L/R	ms	20	
分断范围 / Breaking range	-	-	全范围 / Full-range	
标准 / Standards	-	-	IEC/EN 60269-1 DIN VDE 0636-2	
尺寸 / Dimensions	a1	mm	79	79
	a2		53	53
	a4		47	47
	b1		15	15
	c1		35	35
	e1		42,5	47
	e2		21	28
重量 / Weight	-	g	125	173

NH熔断器
NH fuse-links

光伏熔断器
Fuses for
photovoltaic
applications

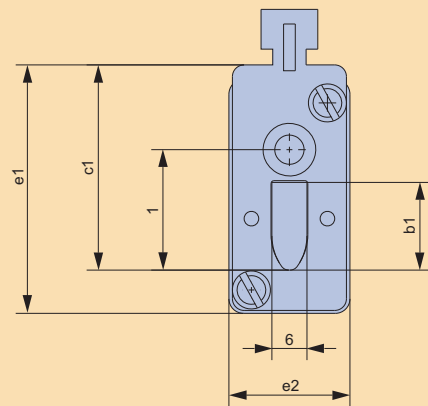
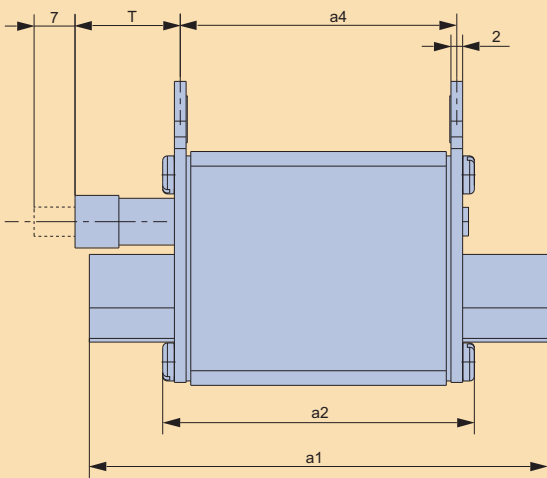
半导体保护熔断器
Fuse-links for
semiconductor
protection

NH熔断器底座
NH fuse-bases

D型熔断器
D-type fuses

高压熔断器
IKUS HV HRC
fuse-links

附录
Appendix

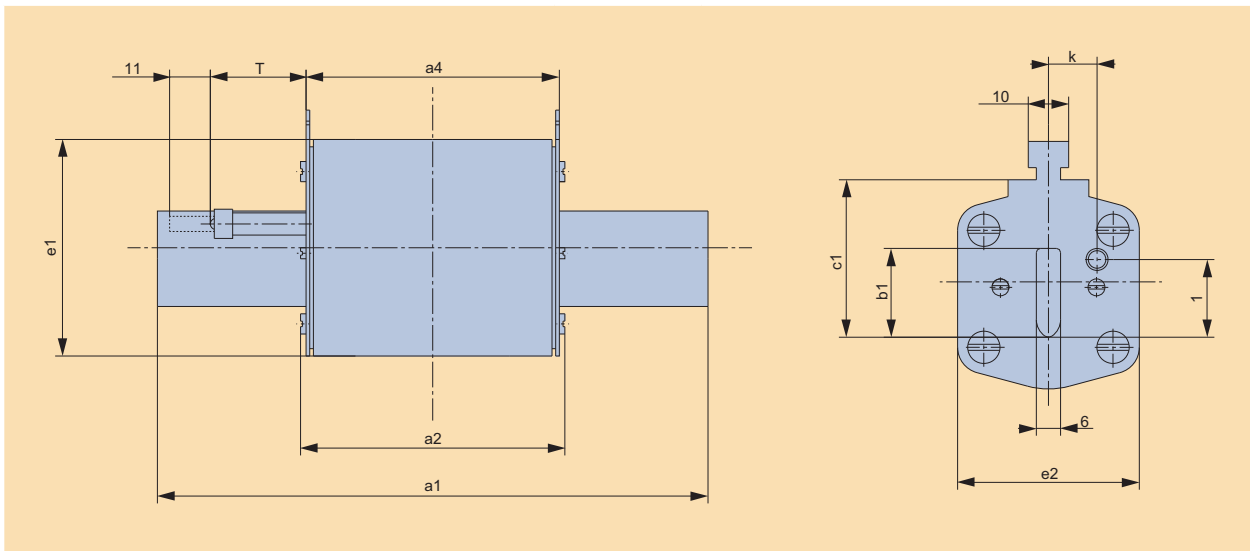


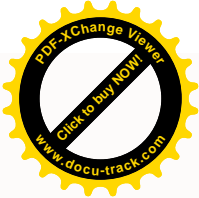
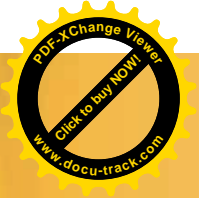


NH熔断器 / NH fuse-links

技术参数 / Technical data

型号 / Type			M1DC.../440V	
尺码 / Size	-	-	NH1	
额定电压 / Rated voltage	U_n	V	DC440	
额定电流 / Rated current	I_n	A	20-160	200-250
额定分断能力 / Rated breaking capacity	-	kA	50	
时间常数 / Time constant	L/R	ms	20	
分断范围 / Breaking range	-	-	全范围 / Full-range	
标准 / Standards	-	-	IEC/EN 60269-1 DIN VDE 0636-2	
尺寸 / Dimensions	a1	mm	135	135
	a2		68	72
	a4		65	65
	b1		15	20
	c1		40	40
	e1		52	54
	e2		28	46
重量 / Weight	-	g	233	430

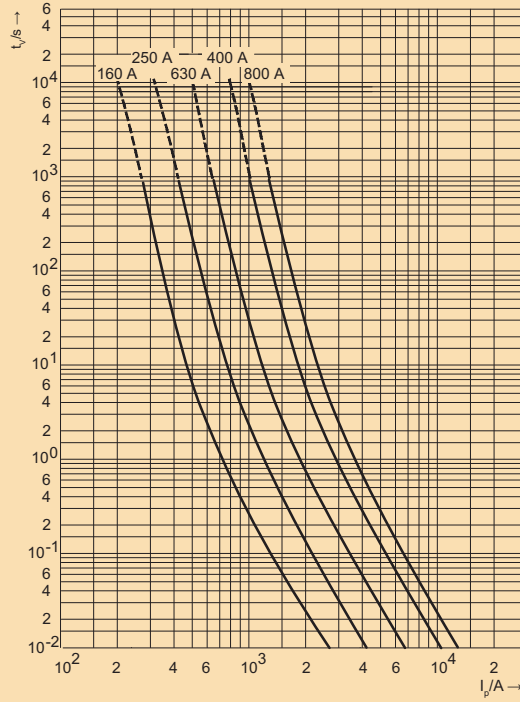




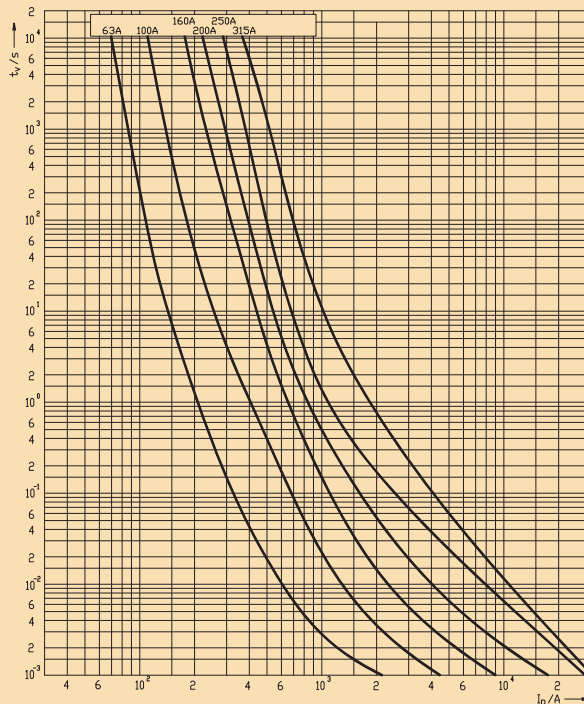
特性 / *Characteristics*

时间电流特性 / Time current characteristics

型号 / Type	订货号 / Article-No.	页码 / Page
M00DC.../80V(/K)	N560...71, N560...70	N-45



型号 / Type	订货号 / Article-No.	页码 / Page
M00DC.../250V(/K)	N560...73, N560...74	N-45



NH熔断器
NH fuse-links

光伏熔断器
Fuses for photovoltaic applications

半导体保护熔断器
Fuse-links for semiconductor protection

NH熔断器底座
NH fuse-bases

D型熔断器
D-type fuses

高压熔断器
IKUS HV HRC fuse-links

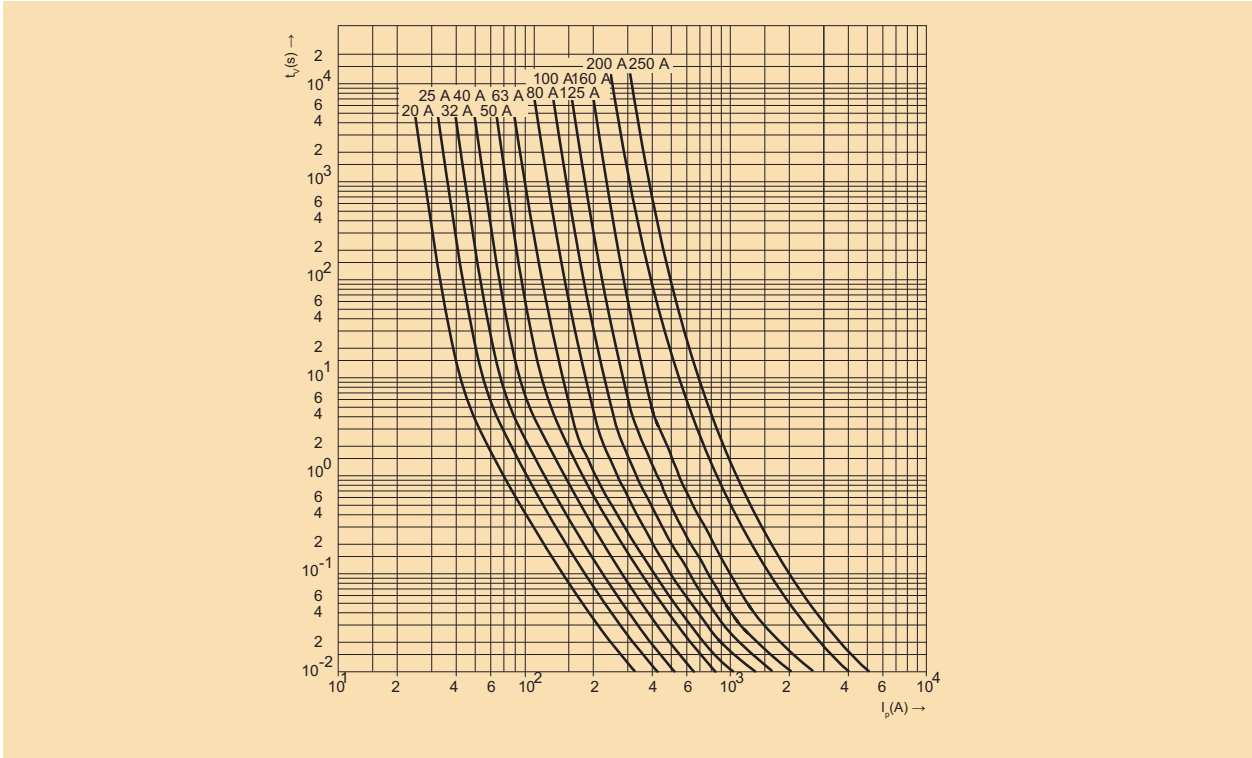
附录
Appendix

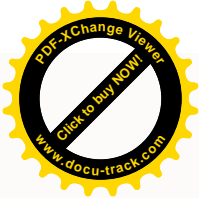
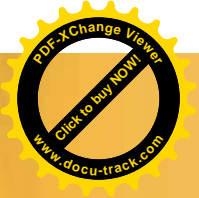


特性 / Characteristics

时间电流特性 / Time current characteristics

型号 / Type	订货号 / Article-No.	页码 / Page
M...DC.../440V	N561..., N161...	N-46





备注 / Notes

NH熔断器
NH fuse-links

光伏熔断器
Fuses for
photovoltaic
applications

半导体保护熔断器
Fuse-links for
semiconductor
protection

NH熔断器底座
NH fuse-bases

D型熔断器
D-type fuses

高压熔断器
IKUS HV HRC
fuse-links

附录
Appendix



NH熔断器 / NH fuse-links

安全操作熔断器 Safe Work fuse-links

产品优势 / Convincing advantages



人身安全

- 较gG产品更高的允通电流限制能力
- 较gG产品更快的熔断时间
- 动作时更强的熄弧能力



目测标签

- 红色标签醒目的喷印在熔断器表面
- 标识为安全作业



绝缘搭扣

- ISM标识端盖和搭扣绝缘
- 熔断器底座防止触电保护
- 绝缘塑料由耐高温塑料制成



双指示器

- 顶端和中间双指示
- 安装后可靠的熔断状态指示
- 存储方式简单



Personal safety

- Considerable higher limitation of let-through current compared to gG fuse-links
- Reduction of melting time compared to gG fuse-links
- Limiting the effects of an arcing fault regarding duration and energy

Eye-catching marking

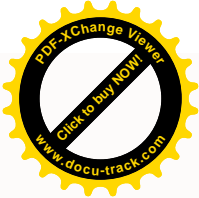
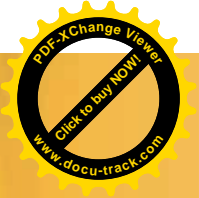
- Red printing colour as distinct differentiator
- Additionally marked with "Arbeitschutz" (Safe Work)

Isolated gripping lugs

- "ism" type combines isolated cover plates with isolated gripping lugs
- Protection against accidental contact when applied in open fuse-bases or fuseways
- Isolated cover plates made from high temperature resistant plastics

Combi indicator

- Combines function of top and centre indicator
- Reliable indicating of fuse-trip independent from installation
- Simplified stock-keeping



安全操作熔断器应用类别 gR AC500V / Safe Work fuse-links utilization category gR AC500V



U _n	尺码 Size	I _n [A]	指示器 Indicator	耗散功率 Power dissipation P _n [W]	包装 PU	绝缘搭扣 Isolated gripping-lugs	
						型号 / Type	订货号 Article-No.
500V	1	63	双指示器 Combi indicator	20,0	3	M1üf2/63A/AS/ism	R1213865
		80		23,0		M1üf2/80A/AS/ism	R1214165
		100		26,0		M1üf2/100A/AS/ism	R1214365
		125		34,0		M1üf2/125A/AS/ism	R1214665
		160		39,0		M1üf2/160A/AS/ism	R1214965
		200		42,0		M1üf2/200A/AS/ism	R1215265
		224		48,0		M1üf2/224A/AS/ism	R1215365
		250		51,0		M1üf2/250A/AS/ism	R1215665
		2		125		双指示器 Combi indicator	34,0
	160		39,0	M2üf2/160A/AS/ism	R2214965		
	200		42,0	M2üf2/200A/AS/ism	R2215265		
	224		48,0	M2üf2/224A/AS/ism	R2215365		
	250		51,0	M2üf2/250A/AS/ism	R2215665		
	315		61,0	M2üf2/315A/AS/ism	R2215965		
	350		65,0	M2üf2/350A/AS/ism	R2216065		
	400		68,0	M2üf2/400A/AS/ism	R2216265		

NH熔断器
NH fuse-links

光伏熔断器
Fuses for
photovoltaic
applications

半导体保护熔断器
Fuse-links for
semiconductor
protection

NH熔断器底座
NH fuse-bases

D型熔断器
D-type fuses

高压熔断器
IKUS HV HRC
fuse-links

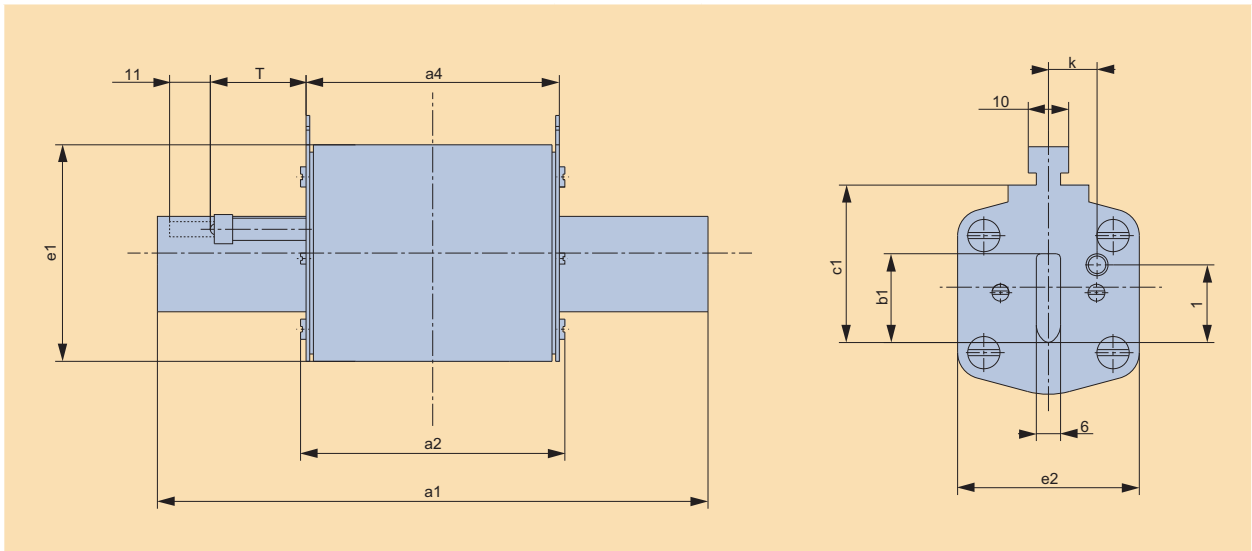
附录
Appendix

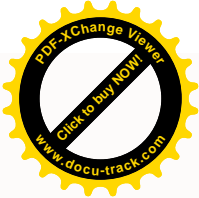
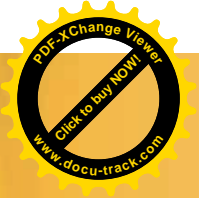


NH熔断器 / NH fuse-links

技术参数 / Technical data

型号 / Type			M1gG/.../690V	M2gG.../690V
尺码 / Size	-	-	NH1	NH2
额定电压 / Rated voltage	U_n	V	AC500	
额定电流 / Rated current	I_n	A	63-250	63-250
额定分断能力 / Rated breaking capacity	-	kA	120	
使用类别 / Utilization class	-	-	gR	
标准 / Standards	-	-	IEC/EN 60269-1 DIN VDE 0636-2 IEC/EN 60269-4	
尺寸 / Dimensions	a1	mm	135	150
	a2		72	72
	a4		67	67
	b1		20	26
	c1		40	48
	e1		55	63
	e2		46	54
重量 / Weight	-	g	430	500

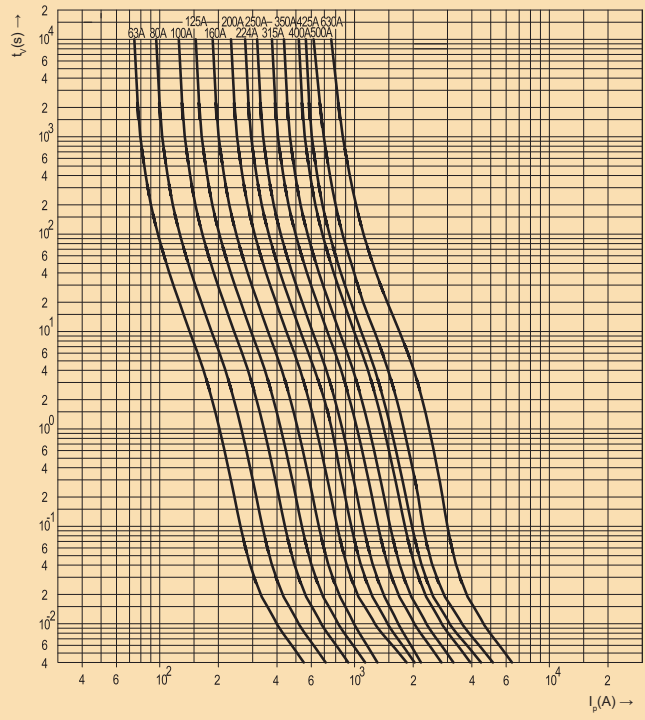




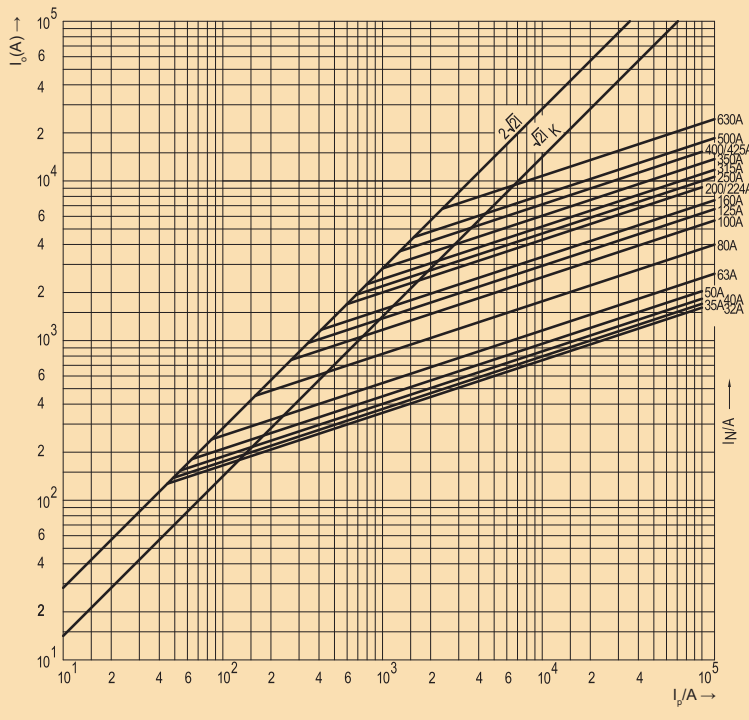
特性 / *Characteristics*

时间电流特性 / Time current characteristics

型号 / Type	订货号 / Article-No.	页码 / Page
M...üf2.../AS/ism	R121...65, R221...65	N-55



型号 / Type	订货号 / Article-No.	页码 / Page
M...üf2.../AS/ism	R121...65, R221...65	N-55



NH熔断器
NH fuse-links

光伏熔断器
Fuses for photovoltaic applications

半导体保护熔断器
Fuse-links for semiconductor protection

NH熔断器底座
NH fuse-bases

D型熔断器
D-type fuses

高压熔断器
IKUS HV HRC fuse-links

附录
Appendix



NH带测量装置熔断器 NH metering fuse-links

产品优势 / Convincing advantages



标准以外的特性

- 绝缘部分尺寸截短额定电压AC400V
- 尺寸相应从NH1到NH4a



附加电流互感器

- 附加互感器提供两种测量范围
- 电流互感器允许带电拆卸操作



双金属式电流表

- 电流表指针指示双量程



应用于隔离开关

- 金米勒条形开关和熔断器隔离开关也适用带测量装置的熔断器

Standard size with additional feature

- Truncated isolating body with rated voltage AC400V
- Dimensions in conjunction with attached current transformer according sizes NH1 to NH4a

Attachable current transformers

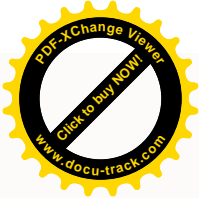
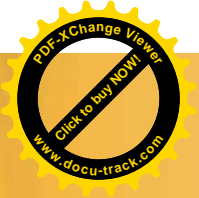
- Dedicated current transformers offer two measuring ranges
- Current transformers allow open-ended operation

Bimetallic current meters

- Dedicated bimetallic current meters with two measuring ranges and slave pointer

Application in switchgear

- JEAN MÜLLER strip type fuse-switch-disconnectors and fuse-switch-disconnectors are prepared for application of NH metering fuse-links

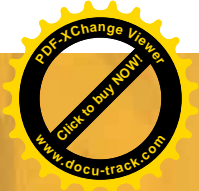


NH测量式熔断器，使用类别gG，AC400V / NH metering fuse-links utilization category gG AC400V



U _n	尺码 Size	I _n [A]	指示器 Indicator	耗散功率 Power dissipation P _n [W]	包装 PU	带电搭扣 Live gripping-lugs		NH熔断器 NH fuse-links
						型号 / Type	订货号 Article-No.	
400V	1	80	顶部指示器 Top indicator	5,2	1	MSMK1GL80	M1004100	光伏熔断器 Fuses for photovoltaic applications
		100		6,2		MSMK1GL100	M1004300	
		125		7,9		MSMK1GL125	M1004600	
		160		9,0		MSMK1GL160	M1004900	
		200		12,0		MSMK1GL200	M1005200	
		250		17,0		MSMK1GL250	M1005600	
	2	80	顶部指示器 Top indicator	5,2	1	MSMK2GL80	M2004100	半导体保护熔断器 Fuse-links for semiconductor protection
		100		6,2		MSMK2GL100	M2004300	
		125		7,9		MSMK2GL125	M2004600	
		160		9,0		MSMK2GL160	M2004900	
		200		12,0		MSMK2GL200	M2005200	
		250		17,0		MSMK2GL250	M2005600	
		315		20,0		MSMK2GL315	M2005900	
	3	200	顶部指示器 Top indicator	12,0	1	MSMK3GL200	M3005200	NH熔断器底座 NH fuse-bases
		250		17,0		MSMK3GL250	M3005600	
		315		20,0		MSMK3GL315	M3005900	
		400		24,0		MSMK3GL400	M3006200	
		500		27,0		MSMK3GL500	M3006600	
		630		32,0		MSMK3GL630	M3006900	
	4a	630	顶部指示器 Top indicator	51,0	1	MSMK4AGL630	M4006900	高压熔断器 IKUS HV HRC fuse-links
		800		61,0		MSMK4AGL800	M4007200	
		1000		72,0		MSMK4AGL1000	M4007600	
		1250		90,0		MSMK4AGL1250	M4007900	

附录
Appendix



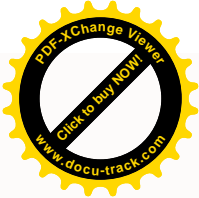
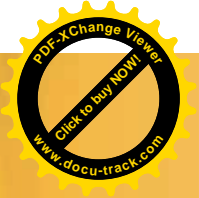
NH熔断器 / NH fuse-links

NH测量式熔断器，使用类别gTr, AC400V / NH metering fuse-links utilization category gTr AC400V

U _n	尺码 Size	I _n [A]	S _n [kVA]	指示器 Indicator	耗散功率 Power dissipation P _n [W]	包装 PU	带电搭扣 Live gripping-lugs	
							型号 / Type	订货号 Article-No.
400V	1	144	100	顶部指示器 Top indicator	11,0	1	MSMK1TT144	M1304700
		180	125		13,0		MSMK1TT180	M1305100
		231	160		17,0		MSMK1TT231	M1305500
	2	144	100	顶部指示器 Top indicator	11,0	1	MSMK2TT144	M2304700
		180	125		13,0		MSMK2TT180	M2305100
		231	160		17,0		MSMK2TT231	M2305500
		289	200		20,0		MSMK2GTR289	M2305700
		361	250		25,0		MSMK2TT361	M2306100
		180	125		13,0		MSMK3TT180	M3305100
	3	231	160	顶部指示器 Top indicator	17,0	1	MSMK3TT231	M3305500
		289	200		20,0		MSMK3TT289	M3305700
		361	250		25,0		MSMK3TT361	M3306100
		455	315		32,0		MSMK3TT455	M3306500
		577	400		40,0		MSMK3TT577	M3306700
	4a	361	250	顶部指示器 Top indicator	25,0	1	MSMK4ATT361	M4306100
		455	315		32,0		MSMK4ATT455	M4306500
		577	400		40,0		MSMK4ATT577	M4306700
		722	500		54,0		MSMK4ATT722	M4307100
		909	630		71,0		MSMK4ATT909	M4307500
		1155	800		91,0		MSMK4ATT1155	M4307700
		1443	1000		110,0		MSMK4ATT1443	M4308100

带电流互感器的NH测量式熔断器，使用类别gG, AC400V
NH metering fuse current transformer combination, utilization category gG AC400V

U _n	尺码 Size	I _n [A]	电流互感器 Current transformer		包装 PU	带电搭扣 Live gripping-lugs	
			初级电流 Primary current [A]	次级电流 Secondary current [A]		型号 / Type	订货号 Article-No.
400V	1	250	300/150	5	1	MSMK1GL250-300/150/5	M1005620
		315	300/150			MSMK2GL315-300/150/5	M2005920
	2	400	400/200	5	1	MSMK2GL400-400/200/5	M2006220
		315	300/150			MSMK3GL315-300/150/5	M3005920
	3	400	400/200	5	1	MSMK3GL400-400/200/5	M3006220
		630	600/300			MSMK3GL630-600/300/5	M3006920
		630	600/300			MSMK4AGL630-600/300/5	M4006920
	4a	800	800/400	5	1	MSMK4AGL800-800/400/5	M4007220
		1000	100000			MSMK4AGL1000-1000/500/5	M4007620
		1250	120000			MSMK4AGL1250-1200/600/5	M4007920



带电流互感器的NH测量式熔断器，使用类别gTr, AC400V
NH metering fuse current transformer combination, utilization category gTr AC400V



U _n	尺码 Size	I _n [A]	S _n [kVA]	电流互感器 Current transformer		包装 PU	带电搭扣 Live gripping-lugs	
				初级电流 Primary current [A]	次级电流 Secondary current [A]		型号 / Type	订货号 Article-No.
400V	1	231	160	300/150	5	1	MSMK1TT231-300/150/5	M1305520
	2	144	100	400/200	5	1	MSMK2TT144-400/200/5	M2304720
		231	160	300/150			MSMK2TT231-300/150/5	M2305520
		289	200	300/150			MSMK2TT289-300/150/5	M2305720
		361	250	400/200			MSMK2TT361-400/200/5	M2306120
	3	289	200	300/150	5	1	MSMK3TT289-300/150/5	M3305720
		361	250	400/200			MSMK3TT361-400/200/5	M3306120
		577	400	600/300			MSMK3TT577-600/300/5	M3306720
	4a	577	400	600/300	5	1	MSMK4ATT577-600/300/5	M4306720
		722	500	800/400			MSMK4ATT722-800/400/5	M4307120
		909	630	1000/500			MSMK4ATT909-1000/500/5	M4307520
		1155	800	1200/500			MSMK4ATT1155-1200/600/5	M4307720

NH熔断器
NH fuse-links

光伏熔断器
Fuses for
photovoltaic
applications

电流互感器适应于NH测量式熔断器 / Current transformers for NH metering fuse-links



尺码 Size	初级电流 Primary current [A]	次级电流 Secondary current [A]	额定输出功率 Rated power output [VA]	精度 Class	插入距离 Plug distance [mm]	包装 PU	型号 / Type	订货号 Article-No.
1	300/150	5	5/2,5	3	42	1	MSMK1/300/150/5	M6105820
2	300/150	5	5/2,5	3	50	1	MSMK2/300/150/5	M6205820
	400/200		5/3,5				MSMK2/400/200/5	M6206220
3	300/150	5	5/2,5	3	50	1	MSMK3/300/150/5	M6305820
	400/200		5/3,5				MSMK3/400/200/5	M6306220
	600/300		5/3,5				MSMK3/600/300/5	M6306820
4a	600/300	5	5/4,5	3	72	1	MSMK4A/600/300	M6406820
	800/400		5				MSMK4A/800/400	M6407220
	1000/500		5				MSMK4A/1000/500	M6407620
	1200/600		5				MSMK4A/1200/600	M6407820

半导体保护熔断器
Fuse-links for
semiconductor
protection

NH熔断器底座
NH fuse-bases

D型熔断器
D-type fuses

高压熔断器
IKUS HV HRC
fuse-links

附录
Appendix

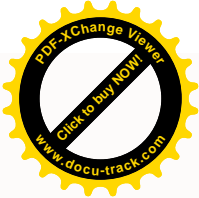
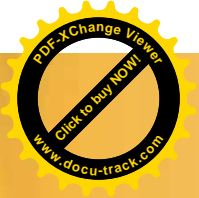


双金属式电流表适用于NH测量式熔断器 / *Bimetallic meters for NH metering fuse-links*



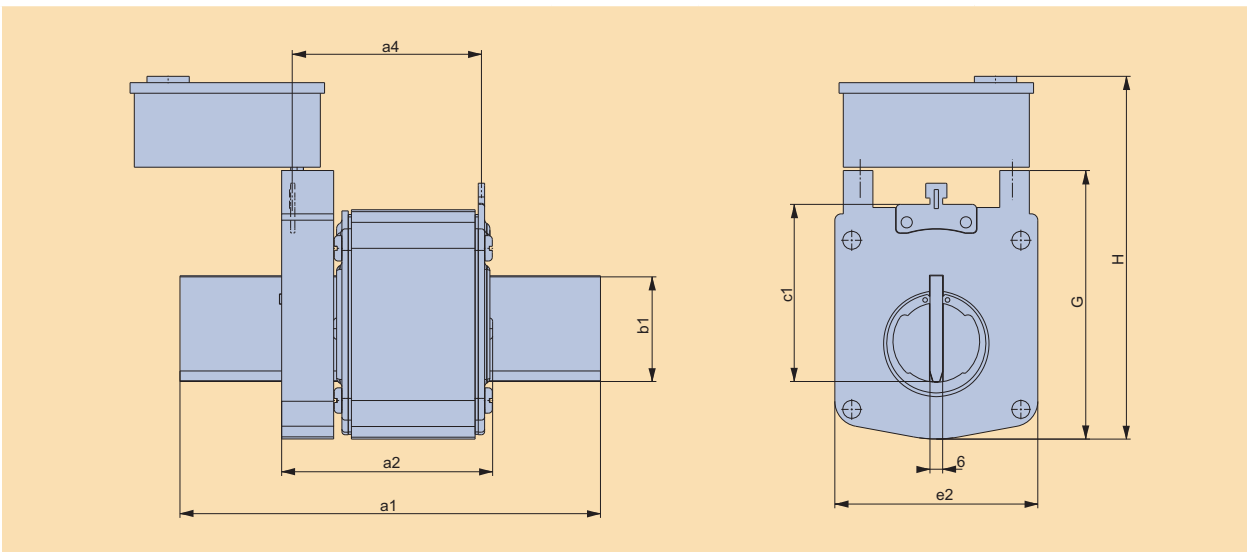
尺码 Size	量程 Dial* [A]	测量范围 Measuring range [A]	精度 Class	插入距离 Plug distance [mm]	包装 PU	型号 / Type	设定时间 / Thermal time delay	
							8min	15min
							订货号 Article-No.	订货号 Article-No.
1	300/150	0-5	3	42	1	MQS0S042/300/150/5	M7115822	M7125822
2/3	300/150	0-5	3	50	1	MQS0S050/300/150/5	M7215822	M7225822
	400/200					MQS0S050/400/200/5	M7216222	M7226222
	600/300					MQS0S050/600/300/5	M7216822	M7226822
4a	600/300	0-5	3	72	1	MQS0S072/600/300/5	-	M7426822
	800/400					MQS0S072/800/400/5	-	M7427222
	1000/500					MQS0S072/1000/500/5	-	M7427622
	1200/600					MQS0S072/1200/600/5	-	M7427822

*过载120%额定电流 / *Overload scaling 120% rated current*



技术参数 / *Technical data*

型号 / Type			MSMK1GL...	MSMK2GL...	MSMK3GL...	MSMK4aGL...
尺码 / Size	-	-	NH1	NH2	NH3	NH4a
额定电压 / Rated voltage	U_n	V	AC400			
额定电流 / Rated current	I_n	A	80-250	80-400	200-630	630-1250
额定分断能力 / Rated breaking capacity	-	kA	50			
使用类别 / Utilization class			gG			
标准 / Standards	-	-	IEC/EN 60269-1 DIN VDE 0636-2			
尺寸 / Dimensions	a1	mm	135	150	150	200
	a2		75	75	75	100
	a4		65	65	65	90
	b1		24	30	32	50
	c1		40	48	60	85
	e2		52	60	74	95
	G		67	74	89	127
	H		112	119	134	200
重量 带/不带电流互感器、电流表 <i>Weight w/o current transformer, meter</i>	-	g	500	600	1000	2000



NH熔断器
NH fuse-links

光伏熔断器
Fuses for photovoltaic applications

半导体保护熔断器
Fuse-links for semiconductor protection

NH熔断器底座
NH fuse-bases

D型熔断器
D-type fuses

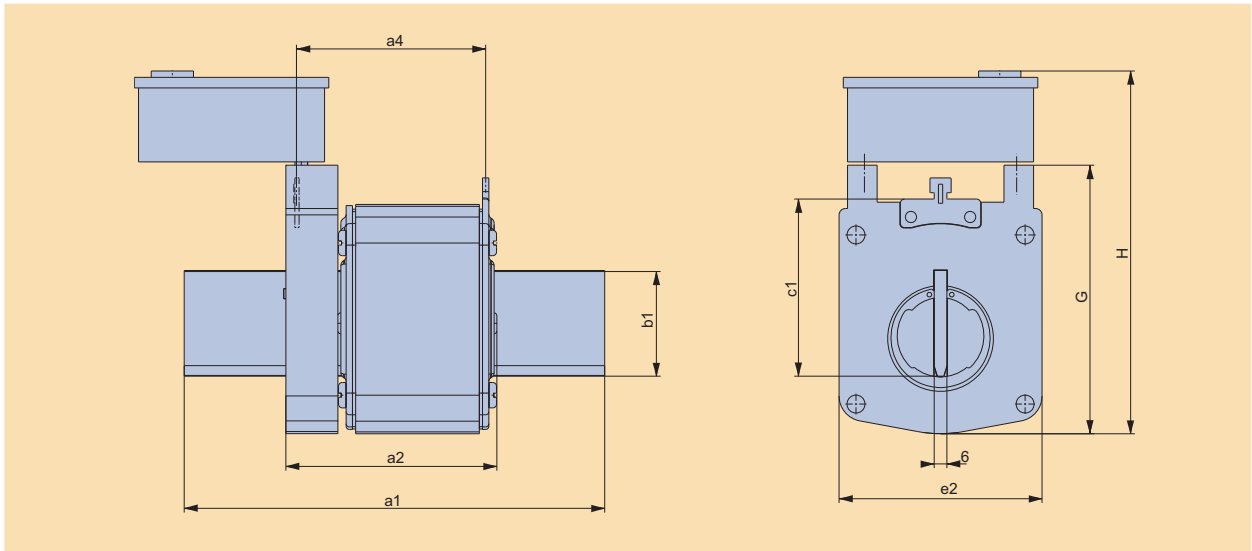
高压熔断器
IKUS HV HRC fuse-links

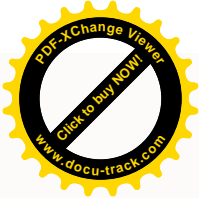
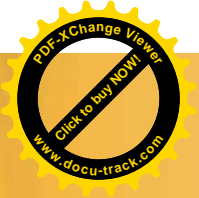
附录
Appendix



技术参数 / *Technical data*

型号 / Type			MSMK1TT...	MSMK2TT...	MSMK3TT...	MSMK4aTT...
尺码 / Size	-	-	NH1	NH2	NH3	NH4a
额定电压 / Rated voltage	U_n	V	AC400			
额定电流 / Rated current	I_n	A	144-231	144-361	180-577	361-1443
变压器容量 / Transformer rating	S_n	kVA	100-160	100-250	125-400	250-1000
额定分断能力 / Rated breaking capacity	-	kA	25			
使用类别 / Utilization class	-	-	gTr			
标准 / Standards	-	-	IEC/EN 60269-1 DIN VDE 0636-2011			
尺寸 / Dimensions	a1	mm	135	150	150	200
	a2		75	75	75	100
	a4		65	65	65	90
	b1		24	30	32	50
	c1		40	48	60	85
	e2		52	60	74	95
	G		67	74	89	127
	H		112	119	134	200
重量 带/不带电流互感器、电流表 <i>Weight w/o current transformer, meter</i>	-	g	500	600	1000	2000





NH熔断器的附件 / *Accessories for NH fuse-links*

隔离刀片 / *Solid links*

	U_n	尺码 Size	I_n [A]	搭扣 Gripping-lugs	耗散功率 Power dissipation P_n [W]	包装 PU	型号 / Type	订货号 Article-No.	页码 Page
690V	690V	00	160	绝缘 Isolated	2,0	3	TM00/ISM	N8584910	N-67
		1	250		5,0		TM1/ISM	N8185610	N-67
		2	400		10,0		TM2/ISM	N8286210	N-67
		3	630		21,0		TM3/ISM	N8386910	N-67
		3	1250		24,0		TM3/1250/ISM	N8387610	N-67
	4a	1250	带电 Live	21,0	1	TM4A/1250	N8417900	N-67	
	4a	1600		22,0		TM4A/1600	N8418300	N-67	
	1200V	1200V	1	250	带电 Live	-	1	TM1/1200V	N8155600
2			400	9,0		TM2/1200V		N8256200	N-67
3			630	-		TM3/1200V		N8356900	N-67

NH熔断器
NH fuse-links

光伏熔断器
Fuses for
photovoltaic
applications

半导体保护熔断器
Fuse-links for
semiconductor
protection

NH熔断器底座
NH fuse-bases

D型熔断器
D-type fuses

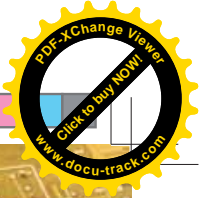
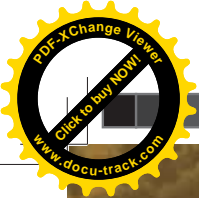
高压熔断器
IKUS HV HRC
fuse-links

附录
Appendix



NH熔断器的附件 / Accessories for NH fuse-links

	描述 / Description	包装 PU	型号 / Type	订货号 Article -No.	页码 Page
	NH熔断器插拔手柄 / NH fuse handle				
	适用尺码NH000 – NH3 / For size NH000-NH3	1	GPSHE	U8950001	–
	适用尺码NH1 – NH3 (AC1200V/DC1100V) For size NH1-NH3 long (AC1200V / DC1100V)	1	GP1200	U8950003	–
	NH熔断器绝缘插拔手柄 / NH fuse handle with sleeve				
	适应尺码NH000 – NH3 / For size NH000-NH3	1	GPSHE/AI	U8950005	–
	顶部开关单元 / Gripping-lug top unit switch				
	微动开关应用 尺码 NH000-NH3 / Microswitch for size NH000-NH3	10	MK/LS	R8524920	–
	熔断器旁路工具箱铝制外壳 / Fuse bypass unit in aluminium case				
	用于400V / 200A熔断器旁路替换 For uninterrupted exchange of NH fuse-links up to 200A/400V	1	SUEG/PM	Y1500000	–
	替换触头 / Replacement finger contacts (pair)	1	FA-SUEG/PM	Y8500007	–
	内径12mm郁金香触头 Replacement tulip contacts 12mm inner diameter (pair)	1	TK12-SUEG/PM	Y8500008	–
	内径22mm郁金香触头 Replacement tulip contacts 22mm inner diameter (pair)	1	TK22-SUEG/PM	Y8500009	–
	内径13mm带绝缘帽郁金香触头 Replacement tulip contacts 13mm with isolation collar (pair)	1	TK13A-SUEG/PM	Y8500010	–
	NH测量式熔断器的附件 / Accessories for NH metering fuse-links				
	卡簧钳 / Circlip pliers	1	SZ	M8087631	–
	尺码NH1 – NH3的替换卡簧 Replacement circlip size NH1-NH3	10	SIBZ-R	M8065002	–
	尺码NH4a的替换卡簧 / Replacement circlip size NH4a	10	AV40	M8067969	–
	尺码NH4a的测量固定 / Meter fixation for size NH4a	3	MGH	M8031946	–



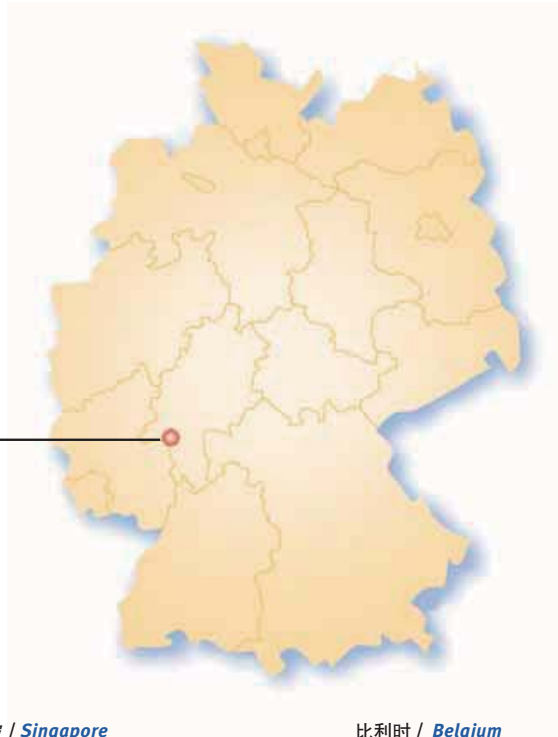
关于我们 / *Contact Addresses*

公司地址和分部地址 / *Company Headquarters and Offices*

公司地址 / *Company headquarter*

Jean Müller GmbH

Elektrotechnische Fabrik
H.J.-Müller-Straße 7
D-65343 Eltville am Rhein
Postfach 13 64
D-65333 Eltville am Rhein
Tel. / *Phone*: +49 (61 23) 6 04-0
Fax / *Fax*: +49 (61 23) 6 04-7 30
sales@jeanmueller.de



波兰 / *Poland*

JEAN MUELLER Polska Sp. z o.o.
Ul. Krótka 4
PL-02-293 Warszawa
POLSKA

Tel. / *Phone*: +48 22 751 79 01
Fax / *Fax*: +48 22 751 79 03
Mobil / *Mobile*: +48 60 08 15 445
info@jeanmueller.pl
www.jeanmueller.pl

奥地利 / *Austria*

Jean Müller Austria GmbH
Aumühlweg 21/2/Büro 213
A-2544 Leobersdorf
ÖSTERREICH

Tel. / *Phone*: +43 2256 631 98
Fax / *Fax*: +43 2256 631 98 20
office@jeanmueller.at

瑞士 / *Switzerland*

Jean Müller Schweiz GmbH
Industriestraße 4
CH-4658 Däniken

Tel. / *Phone*: +41 62 28 84 100
Fax / *Fax*: +41 62 28 84 101
office@jeanmueller.ch

新加坡 / *Singapore*

Jean Müller South East Pte. Ltd.
50 Bukit Batok St. 23 #04-26
Midview Building
Singapore 659578
SINGAPUR

Tel. / *Phone*: +65 631 619 50
Fax / *Fax*: +65 631 619 51
jmueller@singnet.com.sg

中国 / *China*

Jean Mueller
Electric
World Plaza, 23 CD
855 PuDong Nan Lu
Shanghai Pudong 200120

Tel. / *Phone*: +86 21 5836 9078
Fax / *Fax*: +86 21 6888 6978
info@jeanmueller.cn
www.jeanmueller.cn

新西兰 / *New Zealand*

Jean Muller New Zealand Limited
Unit 2, 37 Hurlstone Drive NZ - 4312
New Plymouth New Zealand

Tel. / *Phone*: +64-67699694
Fax / *Fax*: +64-67699694

比利时 / *Belgium*

Jean Müller Belgium
Verkoopkantoor België/Bureau de
vente Belgique
Drie Wilgen 2
B-8700 Tielt

Tel. / *Phone*: +32 474 47 55 26
Fax / *Fax*: +32 51 69 47 68

中东 / *Middle East*

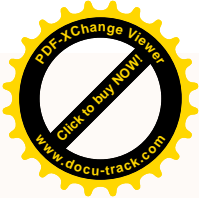
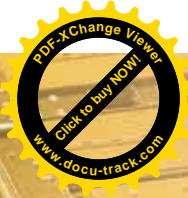
Jean Müller GmbH
Middle East Office
PO Box 30549
Dubai
UAE
Vereinigte Arabische Emirate

Tel. / *Phone*: +971 4 321 31 78
Fax / *Fax*: +971 4 321 31 78

荷兰 / *Holland*

Jean Müller GmbH
Verkoopkantoor Nederland
Aagje Dekenstraat 53
8023 BZ Zwolle

Tel. / *Phone*: +31 (0)38-455 30 70



联系我们 / *Company Headquarters and Offices*



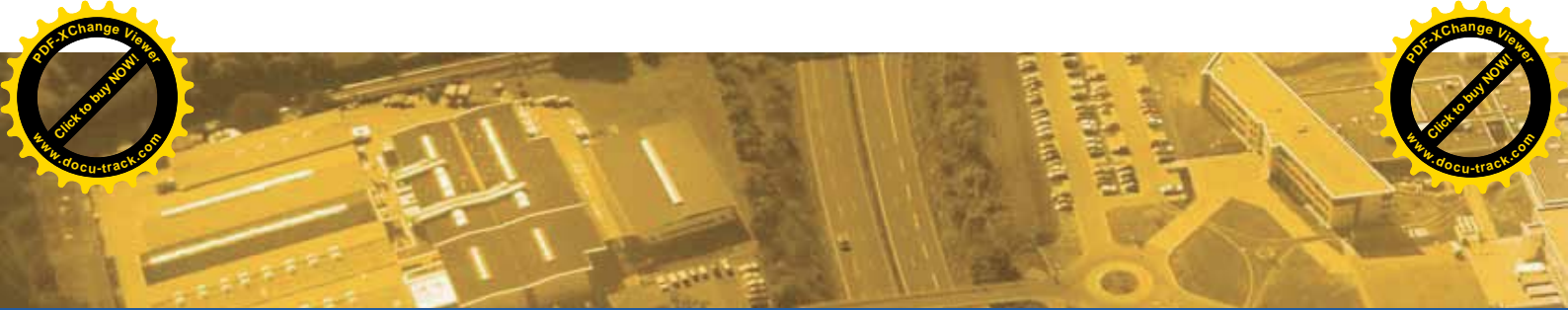
中国总部

金米勒电气(上海)有限公司
上海市浦东新区浦东南路855号世界广场
23CD单元
邮编 200120
电话: +86 21 5836 9078
传真: +86 21 6888 6978
<http://www.jeanmueller.cn>
e-mail: info@jeanmueller.cn

深圳办事处
深圳市福田区彩田路3069号星河世纪大厦
A栋1213室
邮编 518026
电话: 0755 8256 1136
传真: 0755 8256 1139

北京办事处
北京市石景山路22号万商大厦1519室
邮编 100043
电话: 010 6865 7349
传真: 010 6865 7249 x 802

金米勒电气设备(天津)有限公司
天津市北辰科技园区高新大道76号
邮编 300409
电话: +86 22 8698 6290
传真: +86 22 8698 6291



--	--

金米勒公司保留对该样本的修改权
产品开发和技術变更以及升级替换信息请随时关注
金米勒官网 <http://www.jeanmueller.de>

Further developments of our products and technical changes are subject to change. Alterations, errors and errata constitute no claim for damages. Our valid sales terms and delivery conditions are available on our website <http://www.jeanmueller.de>